

GTS INSTALLATION INSTRUCTION

VIZPIN POWERED CYLINDRICAL LOCK



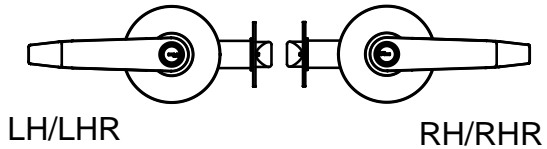
For Mechanical Concerns:
Phone: 866-874-3662
www.pdqlocks.com



For Electrical Concerns:
Email: Support@VIZpin.com
www.VIZpin.com

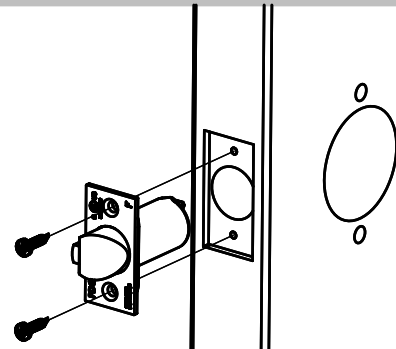
1. CHECK HANDING OF LOCK

- If handing of lock is not correct for opening, see next page for handing instructions.



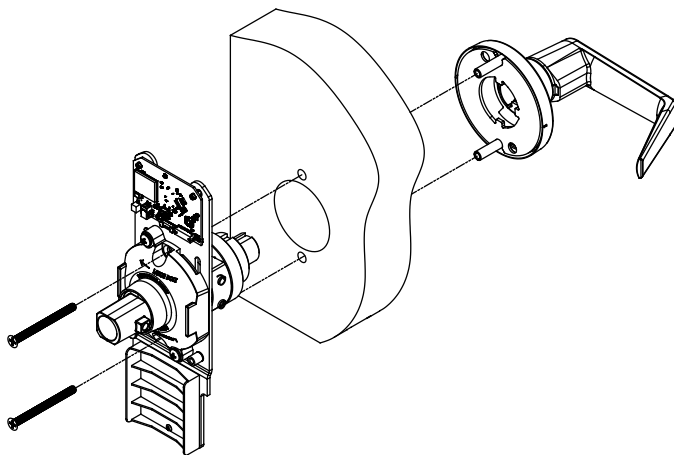
2. PREPARE DOOR & INSTALL LATCH

- Prepare door according to template.
- Install latch, radius toward door frame
- Secure with (2) #8 combo screws.



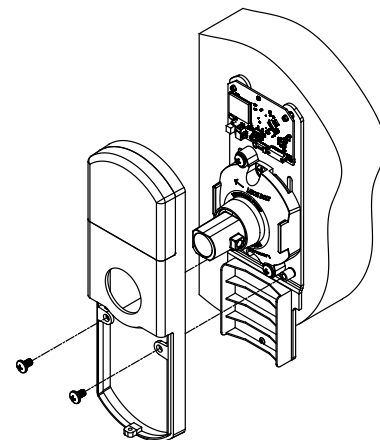
3. INSTALL CHASSIS AND OUTSIDE TRIM

- Install chassis assembly from inside of door.
- Install outside trim assembly.
- Secure with (2) flat head screws (thru bolts).



4. INSTALL INSIDE ESCUTCHEON

- Install inside escutcheon.
- Secure with (2) pan head screws.



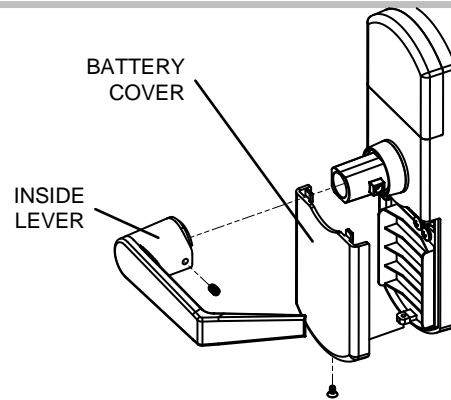
GTS INSTALLATION INSTRUCTION

VIZPIN POWERED CYLINDRICAL LOCK



5. INSTALL BATTERIES AND INSIDE LEVER

- Install batteries and battery cover with flat head screw.
- Install inside lever and secure with dog point set screw.



HANDING INSTRUCTIONS

AS REQUIRED, ROTATE INSIDE ROSE PLATE AND CHASSIS TO MATCH HAND OF DOOR.

TO ROTATE CHASSIS:

1. Remove rose plate mounting screws, then rose plate.
2. Unplug motor connector. Feed motor connector and wire back through wire chase slot.
3. Rotate chassis 1/2 turn (180°) maximum.
4. Feed motor connector and wire forward through wire chase slot on other side. Re-connect motor connector.
5. Rotate rose plate to index with chassis. (Arrows point to latch bolt edge of door.)
6. Install rose plate, secure with mounting screws.

