

MRS INSTALLATION INSTRUCTIONS

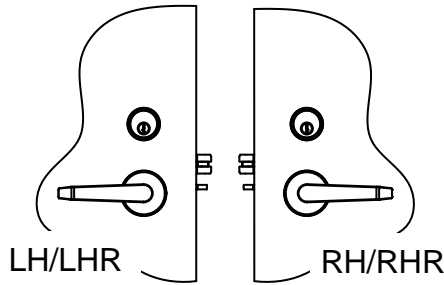
VIZPIN POWERED MORTISE LOCK



For Mechanical Concerns:
Phone: 866-874-3662
www.pdqlocks.com



For Electrical Concerns:
Email: Support@VIZpin.com
www.VIZpin.com

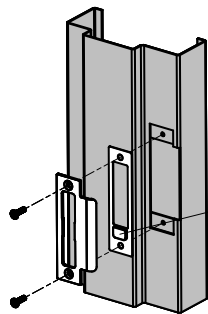
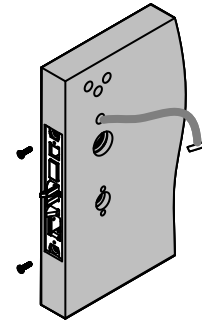


1. CHECK HANDING OF LOCK BODY

- If handing of lock body is not correct for opening, consult factory for handing instruction.

2. DOOR PREPARATION

- Prepare the door for the mortise lock.
- Install the mortise case while feeding chassis wire into hole on **inside** of door.
- Gently pull wire through hole as chassis is inserted
- Secure using two (2) combo screws supplied in the hardware kit, W51411



Dead Latch
Slider

3. JAMB PREPARATION

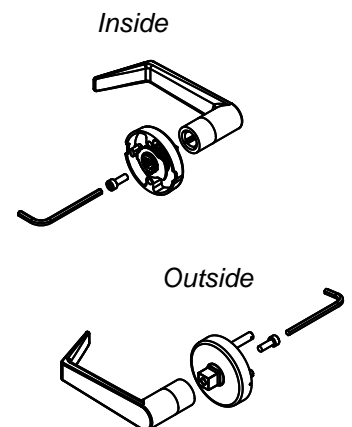
- Prepare the jamb for the mortise lock strike.
- Install Dead Latch Plate behind strike with slider toward bottom for dead latch.
- Install the strike and secure with two (2) combo screws supplied in the **strike screw pack**.

4. LEVER ATTACHMENT

- **Assembly Outside Lever** - If outside scalp was removed, install scalp. Assemble rose as shown using the supplied hex key to tighten the socket head cap screw.

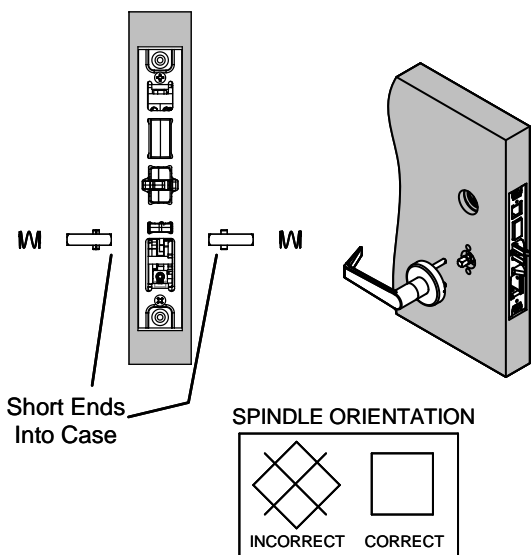
Orlando/Memphis Levers & Ball Knob - Skip the following step. Do not install inside lever and discard one (1) socket head cap screw. Refer to step 6.

- **Assembly Inside Lever** – Remove inside scalp. Assemble the inside rose as shown using the supplied hex key to tighten the socket head cap screw.





5. INSTALL DRIVE SPINDLES / OUTSIDE TRIM



Drive Spindles:

- Install drive spindles and springs on both sides in orientation shown.

Outside Trim

- Install outside trim to door while aligning lever with drive spindle.
- Confirm spindle engagement in lock by rotating the lever down, retracting the latch.

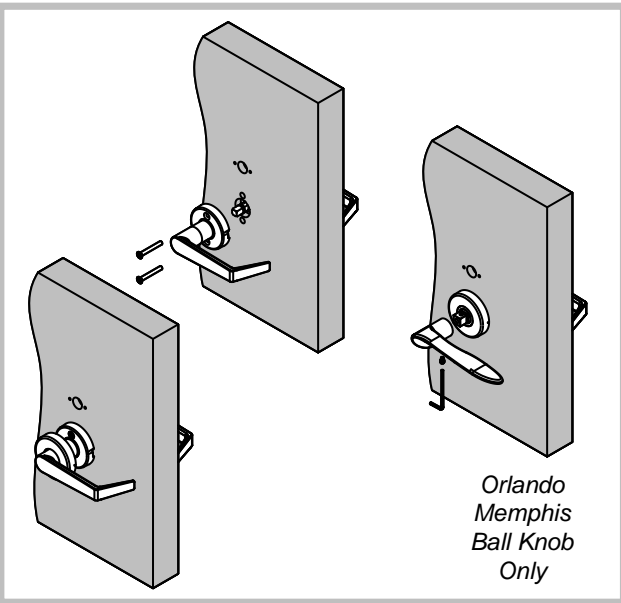


6. INSTALL INSIDE TRIM / ROSE

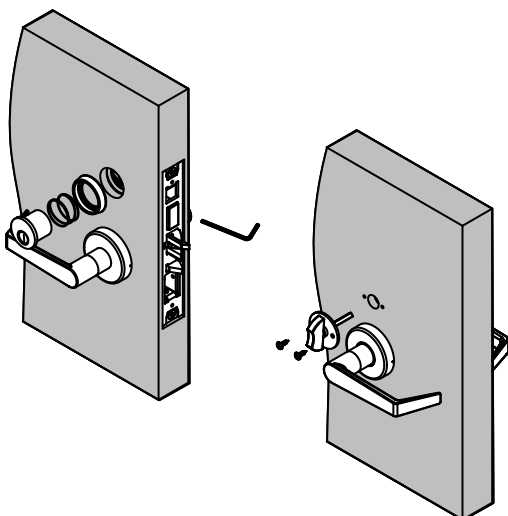
- Install the inside rose assembly to the inside of the door. Align the spindle with the lever.
- Secure inside rose assembly with 1-1/2" long flat head machine screws, supplied in the hardware kit, W51411 - Confirm the spindle engagement.
- Install the rose scalp by aligning the dimples with the slots in the rose plate. Secure by rotating clockwise until tight.

FOR ORLANDO/MEMPHIS LEVERS & BALL KNOB

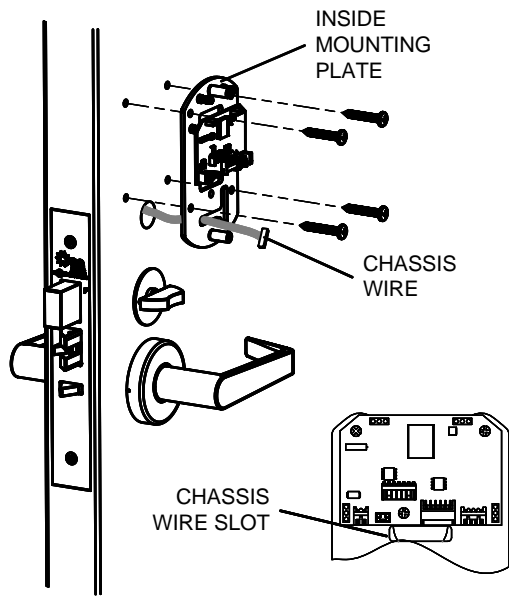
- Slide lever onto spindle. Install set screw in bottom of lever. Tighten from underside with supplied hex key.



7. CYLINDER, TURNPIECE AND ARMOR PLATE INSTALLATION



- Assembly cylinder, cylinder spring and cylinder trim collar.
- Thread the cylinder into the lock body until the cylinder is flush or slightly recessed in the cylinder trim collar.
- Secure the cylinder by tightening set screw through front of case, on the side of cylinder, with the hex key provided in the hardware kit, W51411.
For I/C housings, install the slotted set screw through the I/C bore to secure the housing.
- Install the turnpiece and secure with two (2) truss head sheet metal screws, supplied in the thumb turn screw pack.
- Install the armor plate with two (2) flat head machine screws.

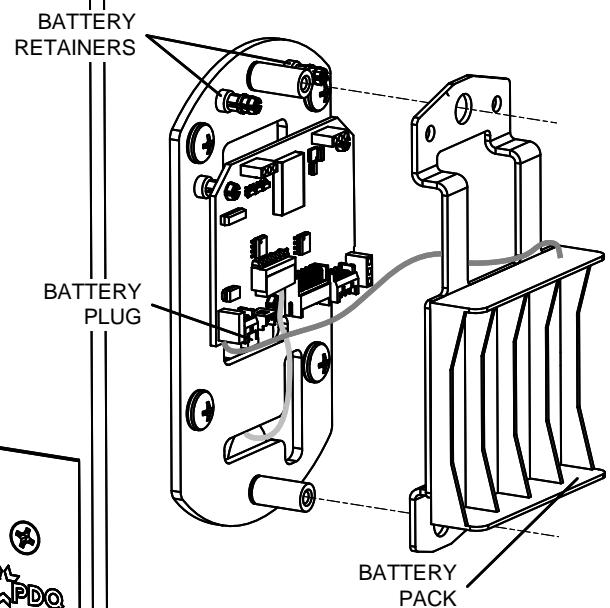


8. INSTALL INSIDE MOUNTING PLATE ASSEMBLY

- Install inside mounting plate assembly.
- Feed chassis wire through T slot in mounting plate.
- Secure with (4) pan head wood/metal screws.
- Make wire connection after reader is secure. Push extra wire into door cavity.

9. INSTALL BATTERY PACK

- Plug in battery wire to control board.
- Install battery pack over two studs on mounting plate.
- Snap battery pack onto retainers on mounting plate.



11. INSTALL BATTERIES AND BATTERY COVER

- Install batteries and battery cover with (2) black pan head screws.

