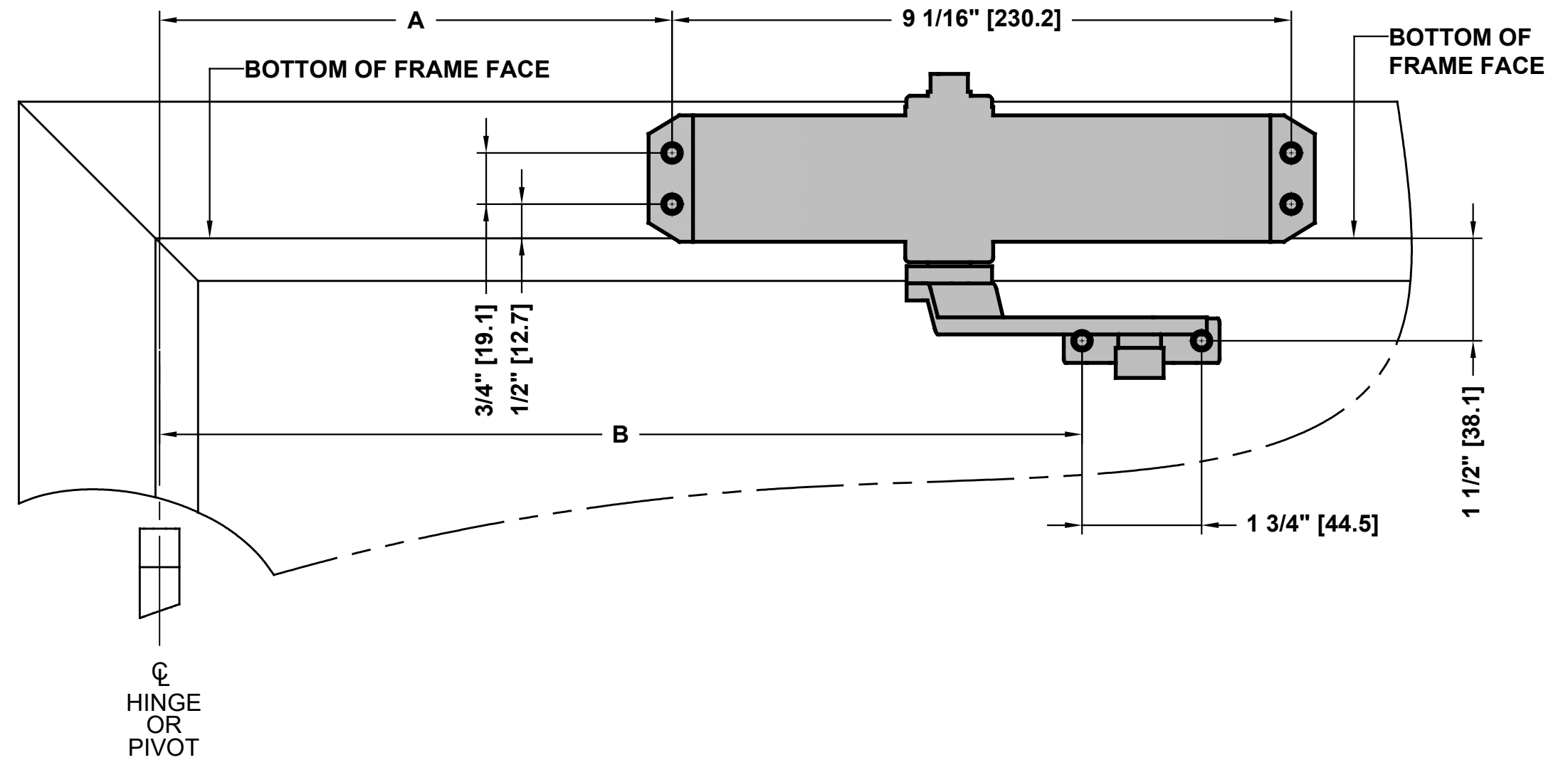


3100 DOOR CLOSER MODELS

TOP JAMB INSTALLATION - PUSH SIDE - PIVOT STOP (PS) ARM APPLICATIONS

INSTRUCTION: 319356
REV.0 04-09-20

| Opening | Dim. A | Dim. B |
|---------|------------------|-------------------|
| 85° | 10-1/16" [255.6] | 16-1/16" [408] |
| 90° | 9-3/8" [238.1] | 15-3/8" [390.5] |
| 95° | 8-3/4" [222.3] | 14-3/4" [374.7] |
| 100° | 8-1/4" [209.6] | 14-1/4" [362] |
| 105° | 7-13/16" [198.4] | 13-13/16" [350.8] |
| 110° | 7-1/2" [190.5] | 13-1/2" [342.9] |



NOTES:

- DO NOT SCALE DRAWING. LEFT HAND DOOR SHOWN.
- DIMENSIONS ARE GIVEN IN INCHES [MM].
- FOR DOORS WITH REVEAL OF 4 INCHES. CONSULT FACTORY FOR OTHER REVEAL DEPTHS.
- MINIMUM CEILING CLEARANCE FROM BOTTOM OF FRAME FACE FOR CLOSER : 2-13/16".
- SEX NUTS REQUIRED FOR UNREINFORCED OR COMPOSITE FIRE DOORS.
- DOOR AND FRAME MUST BE REINFORCED PER ANSI/SDI A250.8 REQUIREMENTS - MINIMUM THICKNESS RECOMMENDED FOR REINFORCEMENTS IN HOLLOW-METAL DOORS AND FRAMES: 0.067" UNLESS OTHERWISE NOTED.
- HOLLOW-METAL DOORS REQUIRE CHANNEL OR BOX-TYPE REINFORCEMENT WHEN SEX NUT MOUNT IS SPECIFIED.

MACHINE SCREWS:
USE #7 OR 13/64" [5.1] DRILL AND 1/4-20 TAP

WOOD DOOR/FRAME SCREWS:
USE 5/32" [4] DRILL

SEX NUTS:
USE 3/8" [9.5] DRILL (CLOSER TO DOOR)



PDQ Manufacturing
2230 Embassy Dr.
Lancaster, PA 17603
833-273-7832
833-2 PDQTECH
www.pdqlocks.com

3100 DOOR CLOSER MODELS

TOP JAMB INSTALLATION - PUSH SIDE - PIVOT STOP (PS) ARM APPLICATIONS

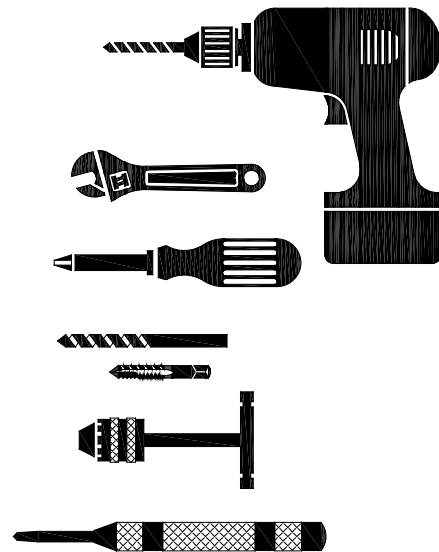
INSTRUCTION: 319356
REV.0 04-09-20

- 1**
1. Confirm this sheet is correct for your product and application.
 2. Read the complete instruction sheet before starting installation.
 3. Incorrectly installed or adjusted door closers can cause personal injury or property damage.
 4. To ensure safe operation closers should be examined and serviced, regularly.

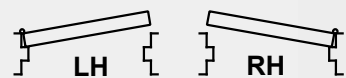
- 2**
1. See reverse side of this sheet to machine door & frame.
 2. Dimensions based on 4-1/2" x 4-1/2" full mortise butt hinges with 5/8" stop and 1/8" door gap.
 3. Confirm door & frame are properly reinforced.
 4. Sex nuts required for un-reinforced or composite fire doors.
 5. Do not install closer on the exterior (weather) side of building.

3 TOOLS REQUIRED:

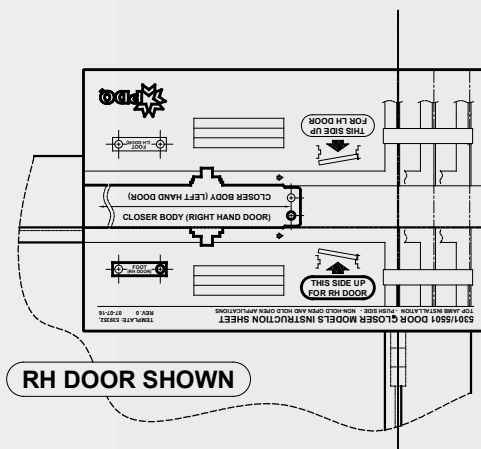
1. Power drill
2. 14mm box/combo wrench
3. Phillips screw driver
4. #7 or 13/64" drill bit and 1/4-20 tap (machine screws)
5. Tap handle
6. 5/32" drill bit (wood screws)
7. 3/8" drill bit (sex nuts)
8. Center punch



- 4 PREPARE DOOR AND FRAME:**
1. Determine maximum opening angle.
 2. Determine door hand (LH or RH).

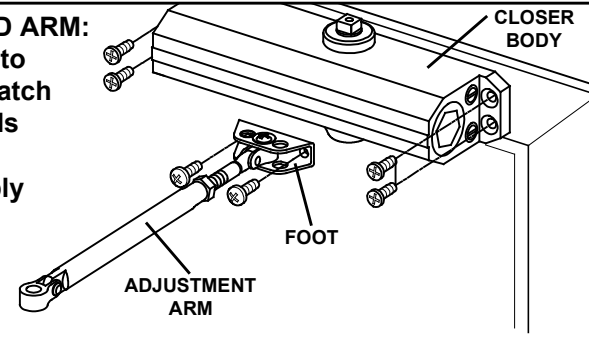


3. Align & attach full size template (see reverse side).
4. Mark door & frame with center punch.
5. Remove template before machining door & frame.

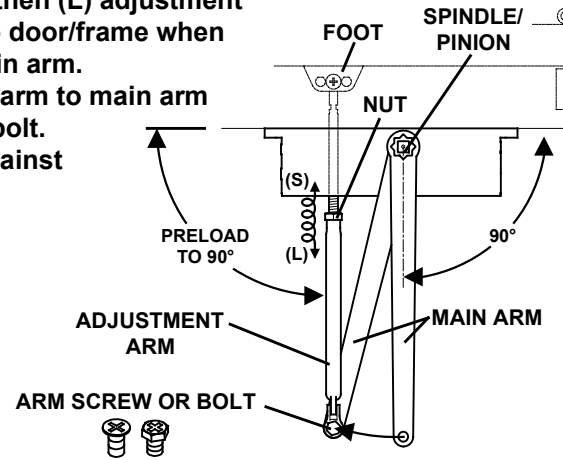


5 INSTALL CLOSER AND ARM:

1. Attach closer body to frame. Sweep and latch valves point towards hinge/pivot.
2. Attach foot assembly to door.



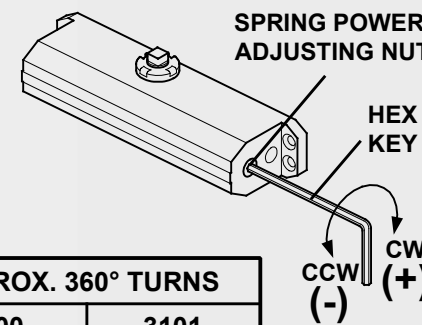
3. Secure main arm to closer spindle, 90° to door/frame.
4. Rotate main arm towards adjustment arm.
5. Shorten (S) or lengthen (L) adjustment arm until it is 90° to door/frame when connected with main arm.
6. Secure adjustment arm to main arm with arm screw or bolt.
7. Tighten lock-nut against adjustment arm.



6 ADJUST SPRING POWER:

1. Use 4 mm hex key provided to adjust to size on chart. Clockwise (CW) turns increase spring power (+). Counter-clockwise (CCW) turns decrease spring power (-).

3101 Series closers can be adjusted to meet ADA Barrier Free (BF) applications. Compliance with ADA/BF requirements may result with door not fully closing and latching. Check with local AHJ. Closer size may vary due to site conditions.



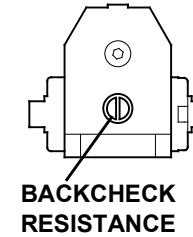
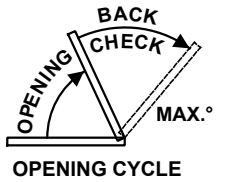
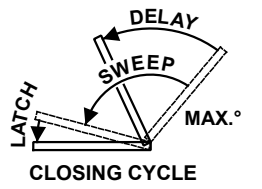
| SIZE | DOOR WIDTH | | APPROX. 360° TURNS | |
|------|--------------|--------------|--------------------|------------|
| | INTERIOR | EXTERIOR | 3100 | 3101 |
| BF | BF ON 36" | -- | -- | -16 (CCW) |
| 1 | 32" [812.8] | 28" [711.2] | -- | -11 (CCW) |
| 2 | 36" [914.4] | 32" [812.8] | -- | -6 (CCW) |
| 3 | 42" [1006.8] | 36" [914.4] | 0 (PRESET) | 0 (PRESET) |
| 4 | 48" [1219.2] | 42" [1006.8] | +5 (CW) | +5 (CW) |
| 5 | 54" [1317.6] | 48" [1219.2] | +9 (CW) | -- |
| 6 | 58" [1473.2] | 54" [1317.6] | +12 (CW) | -- |

7 CONTROL ADJUSTMENTS:

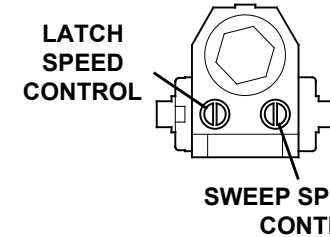
- CRITICAL:** For closer longevity, BACKCHECK must be adjusted to significantly slow opening of door before arm bottoms on stop.

Closing time of 3-7 seconds is typical. More time may be needed for ADA/BF access.
Clockwise (CW) = SLOWER.
Counter-clockwise (CCW) = FASTER.
DO NOT REMOVE VALVES

1. Use hex key provided.
2. Adjust SWEEP (closing max.°- 10°).
3. Adjust LATCH (closing 10°- 0°).
4. Adjust BACKCHECK resistance (opening 70°- max.°). DO NOT COMPLETELY CLOSE VALVE

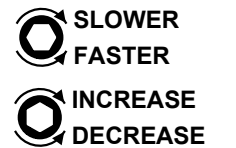


BACKCHECK RESISTANCE



LATCH SPEED CONTROL

SWEEP SPEED CONTROL



8 INSTALL DUST CAP:

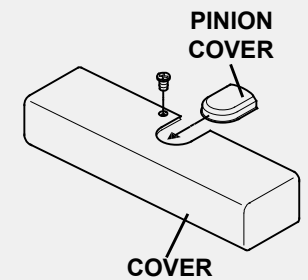
1. Press dust cap over top closer pinion.



DUST CAP

INSTALL COVER (Optional):

1. Orient cover so cutouts align with closer pinion.
2. Slide pinion cover into top cutout.
3. Slip cover over closer until flush with door face.
4. Secure with screw provided.



COVER



PDQ Manufacturing
2230 Embassy Dr.
Lancaster, PA 17603
833-273-7832
833-2 PDQTECH
www.pdqlocks.com