

SPRING CUSHION INSTALLATION INSTRUCTION

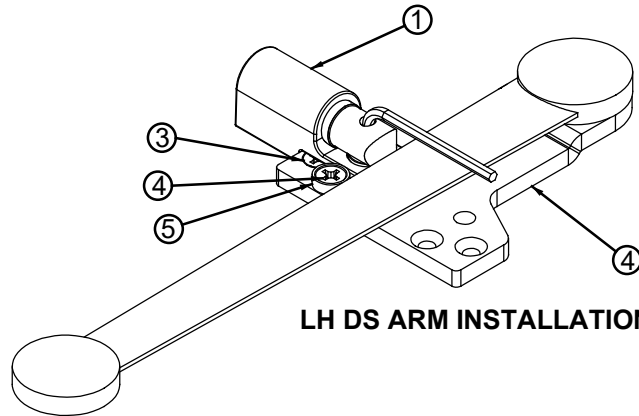
TEMPLATE: 999301, REV. 1 08-07-12

TOOLS REQUIRED FOR INSTALLATION

#3 PHILLIPS SCREWDRIVER
4MM ALLEN WRENCH (PROVIDED)

PARTS LIST

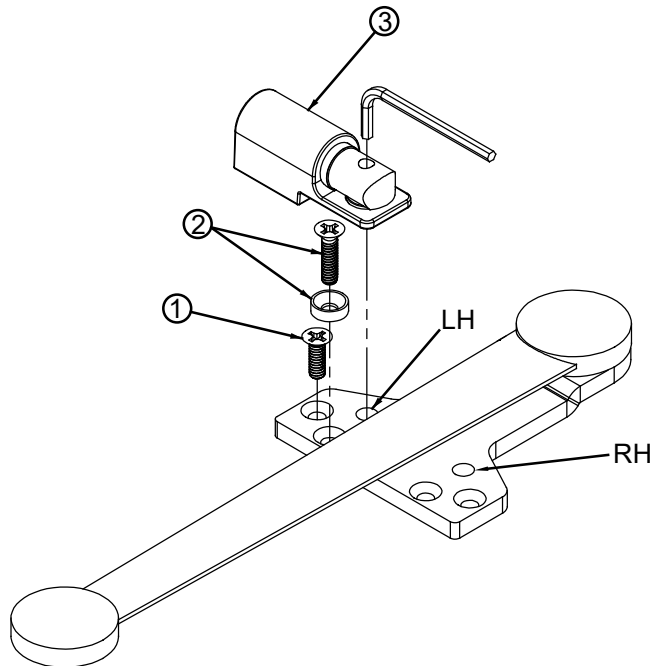
	PARTS LIST	QTY
1.	SPRING CUSHION ASSEMBLY	[1]
2.	LIMITING STOP	[1]
3.	100° SCREW	[1]
4.	DS OR DSHO ARM & BRACKET	
5.	SCREW (PART OF ARM KIT)	



LH DS ARM INSTALLATION SHOWN

INSTALLATION DIAGRAM

INSTALL BY NUMBERS



INSTRUCTIONS:

1. BASED ON HANDING, REMOVE AND DISCARD SCREW. REPLACE WITH 100° SCREW IN SCREW PACK.
 2. REMOVE THE PARALLEL ARM BRACKET MOUNTING SCREW AND INSTALL THE LIMITING STOP, HELD IN PLACE BY THE SCREW YOU JUST REMOVED.
 3. USING 4MM ALLEN WRENCH PROVIDED IN THE SPRING CUSHION SCREW PACK, THREAD THE ASSEMBLY INTO THE APPROPRIATE THREADED HOLE IN THE DS OR DSHO ARM BRACKET.
- * SPRING CUSHION MUST BE ABLE TO MOVE FREELY WHEN INSTALLED.

INSTALLATION



PDQ Manufacturing
2230 Embassy Dr.
Lancaster, PA 17603
833-273-7832
833-2 PDQTECH
www.pdqlocks.com