

# 5100 DOOR CLOSER INSTRUCTION SHEET

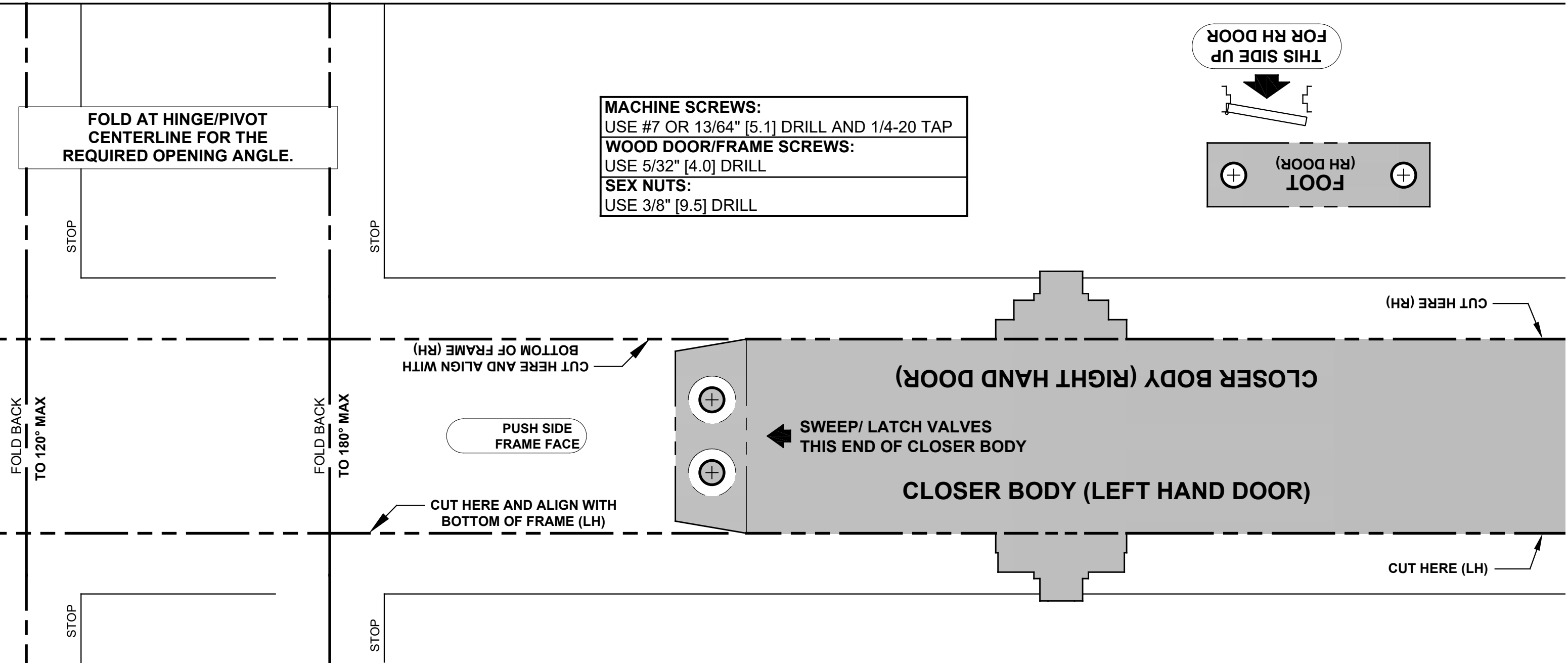
## TOP JAMB INSTALLATION - PUSH SIDE - NON-HOLD OPEN AND HOLD OPEN APPLICATIONS

INSTRUCTION: 519352  
REV. 2 09-06-19

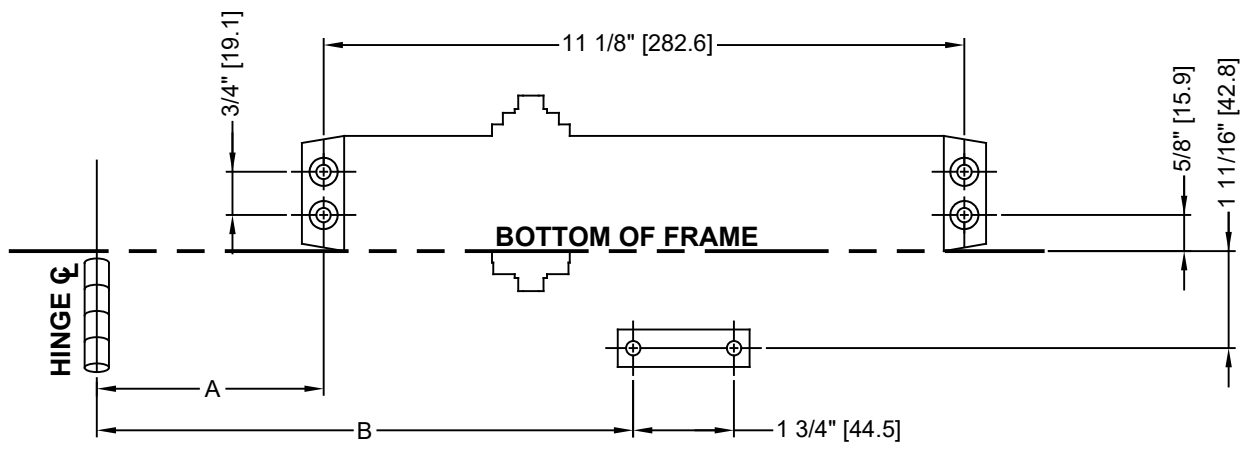
**MACHINE SCREWS:**  
USE #7 OR 13/64" [5.1] DRILL AND 1/4-20 TAP

**WOOD DOOR/FRAME SCREWS:**  
USE 5/32" [4.0] DRILL

**SEX NUTS:**  
USE 3/8" [9.5] DRILL



OPENING	DIM A	DIM B
TO 120°	7-1/16" [179.4]	12-7/16" [315.9]
TO 180°	3-15/16" [100.0]	9-5/16" [236.5]



**PDQ**

PDQ Manufacturing  
2230 Embassy Dr.  
Lancaster, PA 17603  
833-273-7832  
833-2 PDQTECH  
www.pdqlocks.com

ALIGN WITH HINGE / PIVOT CENTERLINE

ALIGN WITH HINGE / PIVOT CENTERLINE

# 5100 DOOR CLOSER INSTRUCTION SHEET

## TOP JAMB INSTALLATION - PUSH SIDE - NON-HOLD OPEN AND HOLD OPEN APPLICATIONS

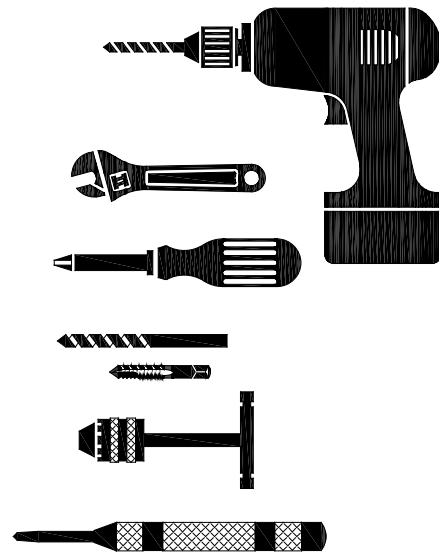
INSTRUCTION: 519352  
REV. 2 09-06-19

- 1**
1. Confirm this sheet is correct for your product and application.
  2. Read the complete instruction sheet before starting installation.
  3. Incorrectly installed or adjusted door closers can cause personal injury or property damage.
  4. To ensure safe operation, closers should be examined and serviced regularly.

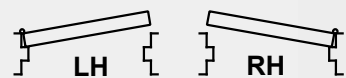
- 2**
1. See reverse side of this sheet to machine door & frame.
  2. Dimensions based on 4-1/2" x 4-1/2" full mortise butt hinges with 5/8" stop and 1/8" door gap.
  3. Confirm door & frame are properly reinforced.
  4. Sex nuts required for un-reinforced or composite fire doors.
  5. Do not install closer on the exterior (weather) side of building.

**3 TOOLS REQUIRED:**

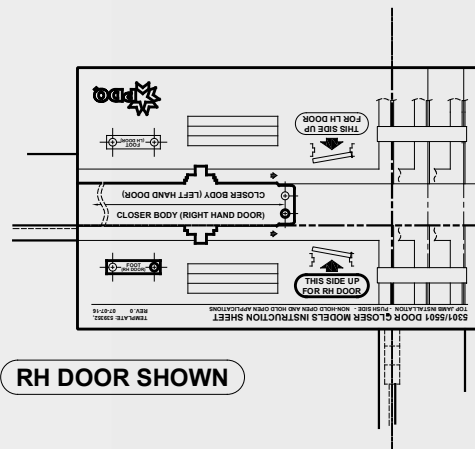
1. Power drill
2. 10mm box/combo wrench
3. Phillips screw driver
4. #7 or 13/64" drill bit and 1/4-20 tap (machine screws)
5. Tap handle
6. 5/32" drill bit (wood screws)
7. 3/8" drill bit (sex nuts)
8. Center punch



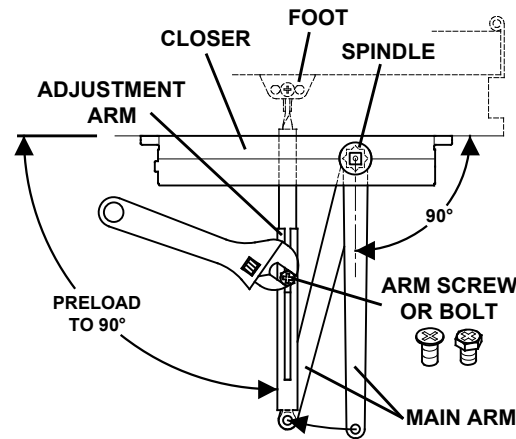
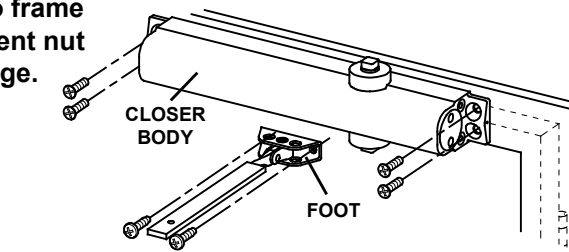
- 4 PREPARE DOOR AND FRAME:**
1. Determine maximum opening angle.
  2. Determine door hand (LH or RH).



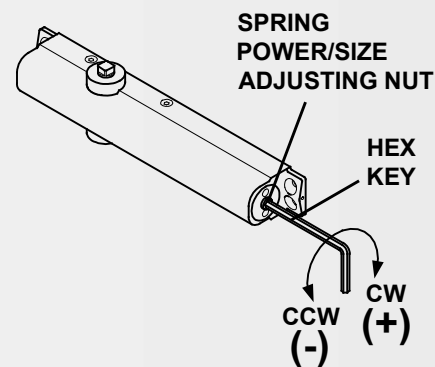
3. Align & attach full size template (see reverse side).
4. Mark door & frame with center punch.
5. Remove template before machining door & frame.



- 5 INSTALL CLOSER AND ARM:**
1. Attach closer body to frame face. Spring adjustment nut points away from hinge.
  2. Attach foot to door.
  3. Secure main arm to closer spindle 90° to door/frame.
  4. Connect adjustment arm with foot assembly: Rotate main arm until adjustment arm is 90° to door & frame. Tighten arm screw or bolt.

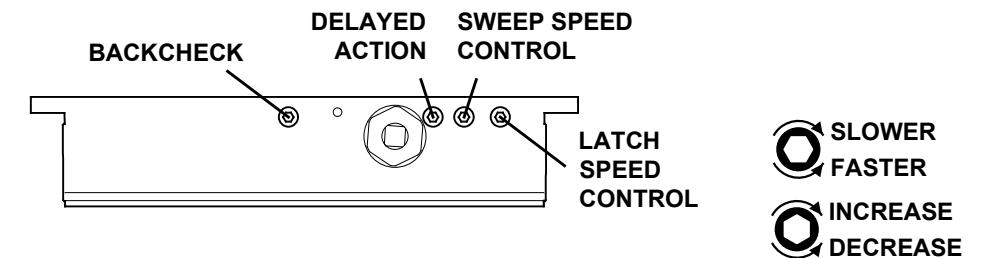


- 6 ADJUST SPRING POWER:**
1. Use 4 mm hex key provided to adjust to size on chart. Clockwise (CW) turns increase spring power (+). Counter-clockwise (CCW) turns decrease spring power (-).



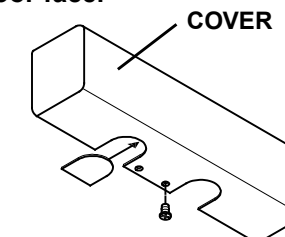
SIZE	DOOR WIDTH		APPROX. #360° TURNS
	INTERIOR	EXTERIOR	
1	32" [812.8]	28" [711.2]	-5 (CCW)
2	36" [914.4]	32" [812.8]	-3 (CCW)
3	42" [1066.8]	36" [914.4]	0 (PRESET)
4	48" [1219.2]	42" [1066.8]	+3 (CW)
5	54" [1371.6]	48" [1219.2]	+6 (CW)
6	58" [1473.2]	54" [1371.6]	+9 (CW)

- 7 CONTROL ADJUSTMENTS:**
- Closing time of 3-7 seconds is typical. More time may be needed for ADA/BF access. Clockwise (CW) = SLOWER. Counter-clockwise (CCW) = FASTER. DO NOT REMOVE VALVES
- 
1. Use hex key provided.
  2. Adjust SWEEP (closing max.° - 10°).
  3. Adjust LATCH (closing 10° - 0°).
  4. Adjust BACKCHECK resistance (opening 70° - max.°). DO NOT COMPLETELY CLOSE VALVE
  5. Adjust (optional) DELAYED ACTION (closing max.° - 70°); Provides additional hesitation for access (ADA/BF) through door.



- 8 OPTIONAL HOLD OPEN ARM:**
- Important: Do not use arm as limiting stop, separate dead stop is required. Friction HO arm is not recommended for doors frequently operated in/out of hold open
- 
1. Install hold-open foot/nut. Left Hand (LH) door = Nut points up. Right Hand (RH) door = Nut points down.
  2. Loosen HO nut.
  3. Open door several degrees before HO position.
  4. Tighten nut.

- 9 INSTALL 5100 COVER:**
1. Align cover with closer spindle. Slide insert into unused cutout.
  2. Slide cover over closer until flush with door face.
  3. Secure with screw provided.



**PDQ**

PDQ Manufacturing  
2230 Embassy Dr.  
Lancaster, PA 17603  
833-273-7832  
833-2 PDQTECH  
www.pdqlocks.com