

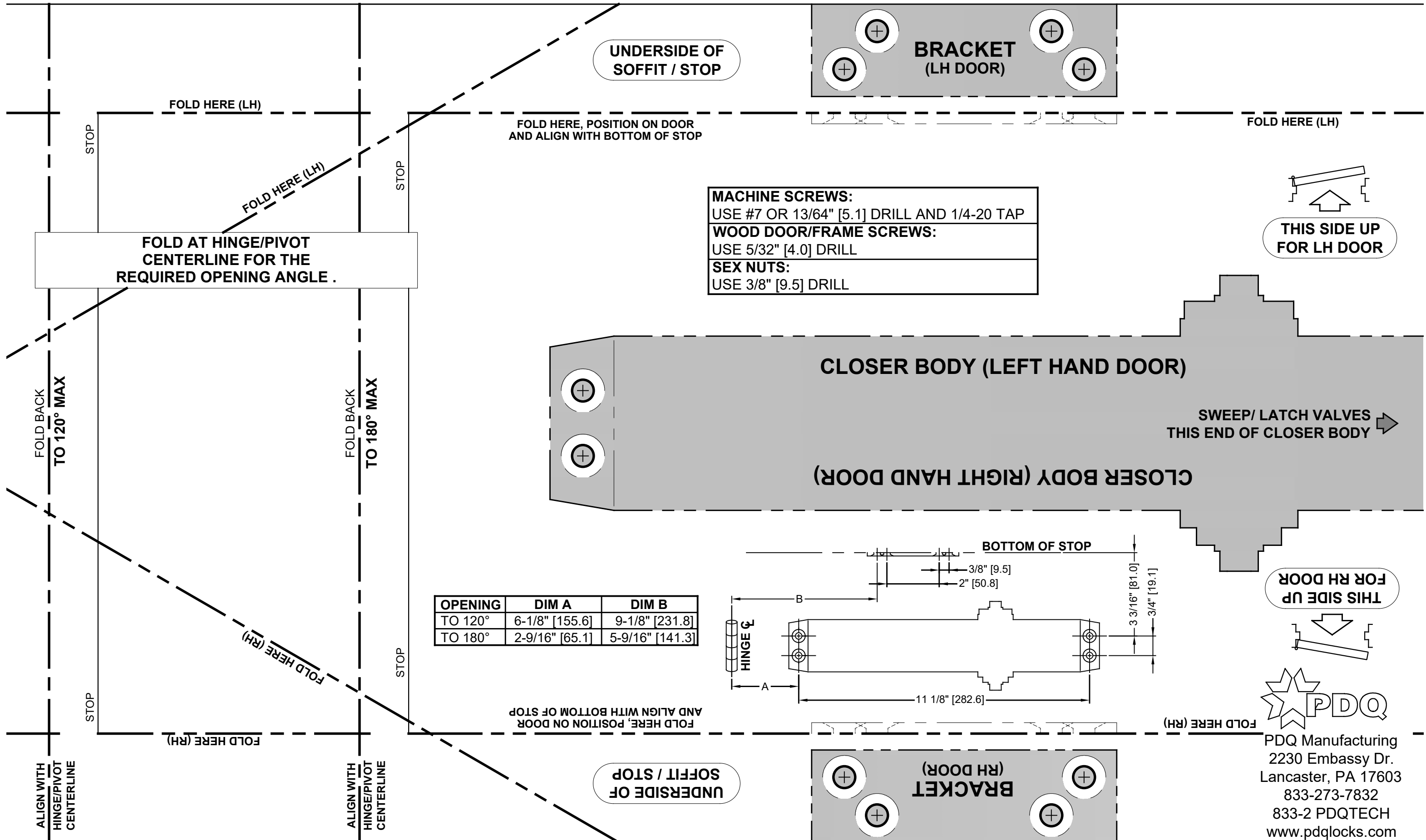
# 5100 DOOR CLOSER INSTRUCTION SHEET

PARALLEL ARM INSTALLATION - PUSH SIDE - NON-HOLD OPEN AND HOLD OPEN APPLICATIONS

INSTRUCTION: 519353

REV. 2

09-06-19



PDQ Manufacturing  
2230 Embassy Dr.  
Lancaster, PA 17603  
833-273-7832  
833-2 PDQTECH  
www.pdqlocks.com

# 5100 DOOR CLOSER INSTRUCTION SHEET

## PARALLEL ARM INSTALLATION - PUSH SIDE - NON-HOLD OPEN AND HOLD OPEN APPLICATIONS

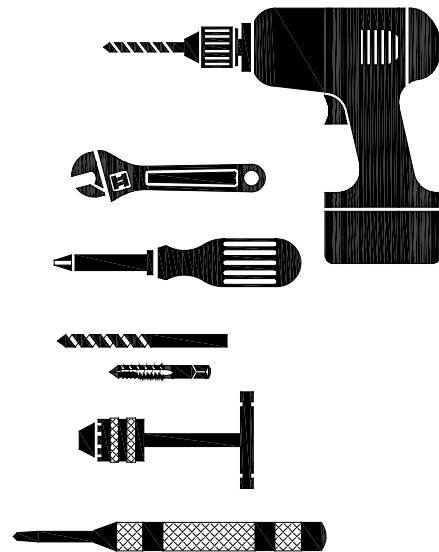
INSTRUCTION: 519353  
REV. 2 09-06-19

- 1**
1. Confirm this sheet is correct for your product and application.
  2. Read the complete instruction sheet before starting installation.
  3. Incorrectly installed or adjusted door closers can cause personal injury or property damage.
  4. To ensure safe operation, closers should be examined and serviced regularly.

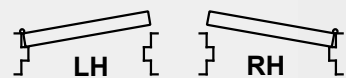
- 2**
1. See reverse side of this sheet to machine door & frame.
  2. Dimensions based on 4-1/2" x 4-1/2" full mortise butt hinges with 5/8" stop and 1/8" door gap.
  3. Confirm door & frame are properly reinforced.
  4. Sex nuts required for un-reinforced or composite fire doors.
  5. Do not install closer on the exterior (weather) side of building.

**3 TOOLS REQUIRED:**

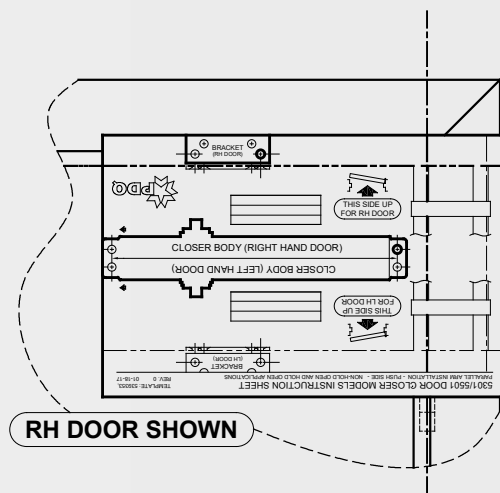
1. Power drill
2. 10mm box/combo wrench
3. Phillips screw driver
4. #7 or 13/64" drill bit and 1/4-20 tap (machine screws)
5. Tap handle
6. 5/32" drill bit (wood screws)
7. 3/8" drill bit (sex nuts)
8. Center punch



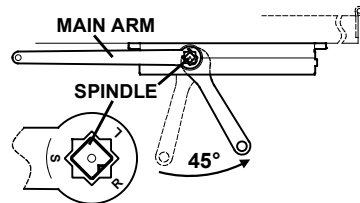
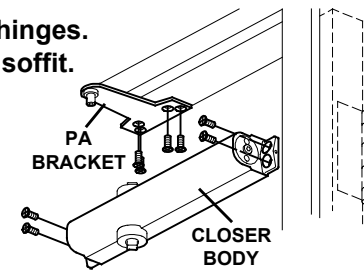
- 4 PREPARE DOOR AND FRAME:**
1. Determine maximum opening angle.
  2. Determine door hand (LH or RH).



3. Align & attach full size template (see reverse side).
4. Mark door & frame with center punch.
5. Remove template before machining door & frame.

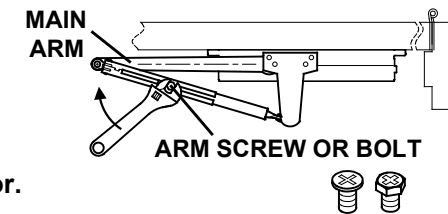


- 5 INSTALL CLOSER AND ARM:**
1. Attach closer body to door. Spring adjustment nut points toward hinges.
  2. Attach PA bracket to bottom of frame soffit.

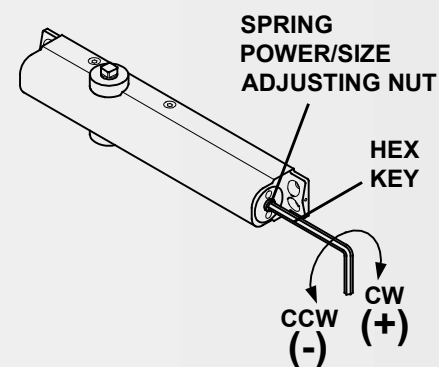


3. Rotate closer spindle 45° towards hinge / pivot.
4. Install main arm parallel to door face, pointing away from hinge or pivot.
5. Secure main arm to closer spindle.
6. Remove foot from connecting arm and install arm onto PA bracket.

7. Open door slightly and slide connecting arm into adjustment arm.
8. Close door.
9. Rotate main arm until it is approximately parallel to door.
10. Tighten arm screw or bolt.

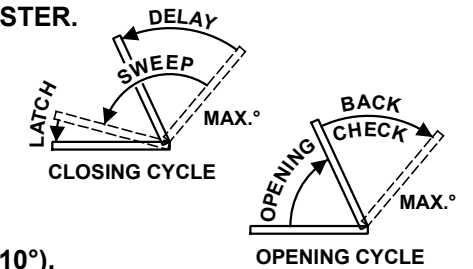


- 6 ADJUST SPRING POWER:**
1. Use 4 mm hex key provided to adjust to size on chart. Clockwise (CW) turns increase spring power (+). Counter-clockwise (CCW) turns decrease spring power (-).

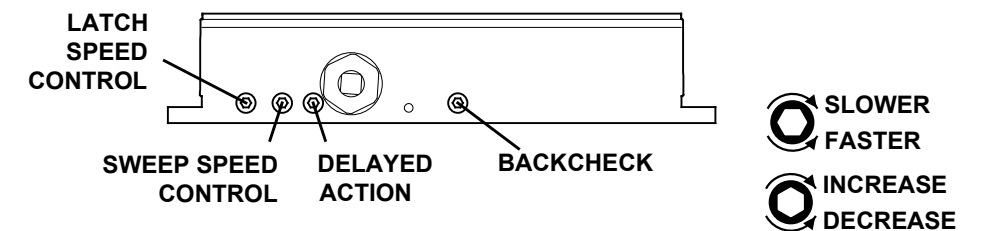


SIZE	DOOR WIDTH		APPROX. #360° TURNS
	INTERIOR	EXTERIOR	
1	28" [711.2]	N/A	-5 (CCW)
2	32" [812.8]	28" [711.2]	-3 (CCW)
3	36" [914.4]	32" [812.8]	0 (PRESET)
4	42" [1066.8]	36" [914.4]	+5 (CW)
5	48" [1219.2]	42" [1066.8]	+9 (CW)
6	54" [1473.2]	48" [1219.2]	+12 (CW)

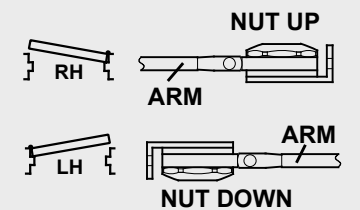
- 7 CONTROL ADJUSTMENTS:**
- Closing time of 3-7 seconds is typical. More time may be needed for ADA/BF access.
- Clockwise (CW) = SLOWER.  
Counter-clockwise (CCW) = FASTER.  
DO NOT REMOVE VALVES



1. Use hex key provided.
2. Adjust SWEEP (closing max.° - 10°).
3. Adjust LATCH (closing 10° - 0°).
4. Adjust BACKCHECK resistance (opening 70° - max.°). DO NOT COMPLETELY CLOSE VALVE
5. Adjust (optional) DELAYED ACTION (closing max.° - 70°); Provides additional hesitation for access (ADA/BF) through door.

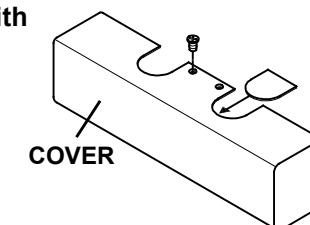


- 8 OPTIONAL HOLD OPEN ARM:**
- Important: Do not use arm as limiting stop, separate dead stop is required. Friction HO arm is not recommended for doors frequently operated in/out of hold open



1. Install hold-open foot/nut. Left Hand (LH) door = Nut points down. Right Hand (RH) door = Nut points up.
2. Loosen HO nut.
3. Open door several degrees before HO position.
4. Tighten nut.

- 9 INSTALL 5100 COVER:**
1. Align cover with closer spindle. Slide insert into unused cutout.
  2. Slide cover over closer until flush with door face.
  3. Secure with screw provided.



**PDQ**  
PDQ Manufacturing  
2230 Embassy Dr.  
Lancaster, PA 17603  
833-273-7832  
833-2 PDQTECH  
www.pdqlocks.com