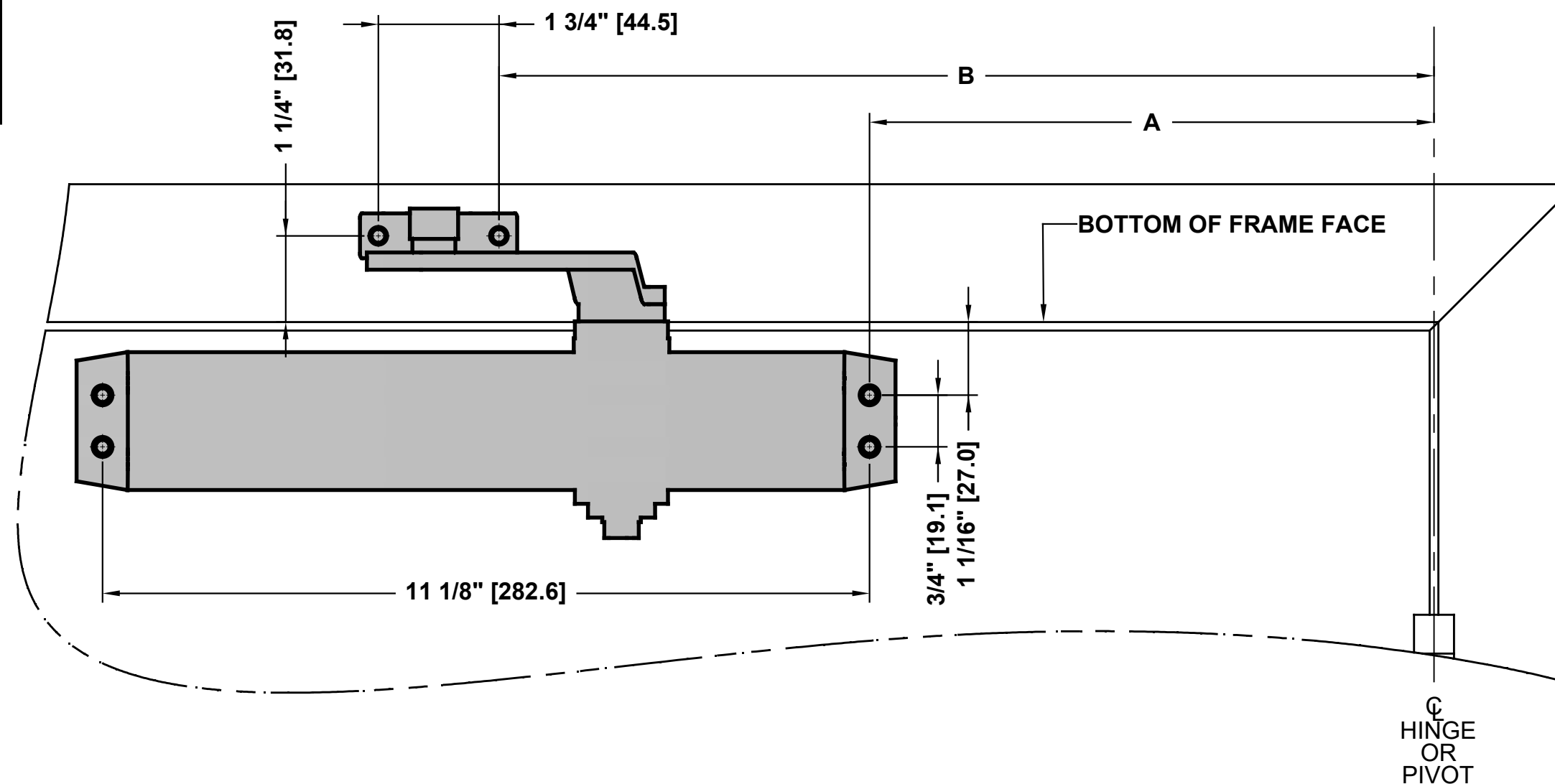


5100 DOOR CLOSER MODELS

REGULAR ARM INSTALLATION - PULL SIDE - PIVOT STOP (PS) ARM APPLICATIONS

INSTRUCTION: 519355
REV.0 10-01-19

Opening	Dim. A	Dim. B
85°	10-15/16" [277.8]	16-7/16" [417.5]
90°	10-1/8" [257.2]	15-5/8" [396.9]
95°	9-5/8" [244.5]	15-1/8" [384.2]
100°	9-1/16" [230.2]	14-9/16" [369.9]
105°	8-5/8" [219.1]	14-1/8" [358.8]
110°	8-3/16" [208]	13-1/16" [347.7]



NOTES:

- DO NOT SCALE DRAWING. LEFT HAND DOOR SHOWN.
- DIMENSIONS ARE GIVEN IN INCHES [MM].
- MINIMUM CEILING CLEARANCE FROM BOTTOM OF FRAME FACE FOR CLOSER ARM : 1-5/8".
- SEX NUTS REQUIRED FOR UNREINFORCED OR COMPOSITE FIRE DOORS.
- DOOR AND FRAME MUST BE REINFORCED PER ANSI/SDI A250.8 REQUIREMENTS - MINIMUM THICKNESS RECOMMENDED FOR REINFORCEMENTS IN HOLLOW-METAL DOORS AND FRAMES: 0.067" UNLESS OTHERWISE NOTED.
- HOLLOW-METAL DOORS REQUIRE CHANNEL OR BOX-TYPE REINFORCEMENT WHEN SEX NUT MOUNT IS SPECIFIED.

MACHINE SCREWS: USE #7 OR 13/64" [5.1] DRILL AND 1/4-20 TAP
WOOD DOOR/FRAME SCREWS: USE 5/32" [4] DRILL
SEX NUTS: USE 3/8" [9.5] DRILL (CLOSER TO DOOR)



PDQ Manufacturing
2230 Embassy Dr.
Lancaster, PA 17603
833-273-7832
833-2 PDQTECH
www.pdqlocks.com

5100 DOOR CLOSER MODELS

REGULAR ARM INSTALLATION - PULL SIDE - PIVOT STOP (PS) ARM APPLICATIONS

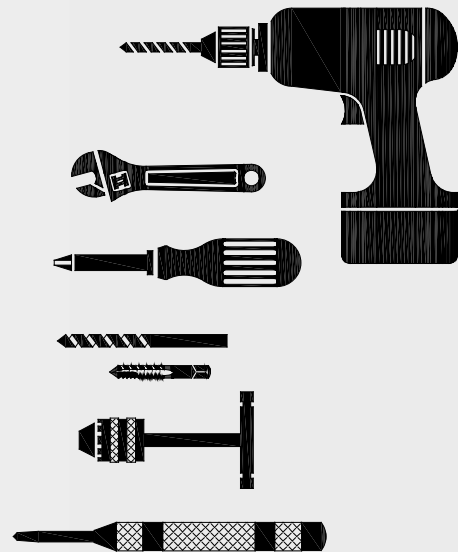
INSTRUCTION: 519355
REV.0 10-01-19

- 1**
1. Confirm this sheet is correct for your product and application.
 2. Read the complete instruction sheet before starting installation.
 3. Incorrectly installed or adjusted door closers can cause personal injury or property damage.
 4. To ensure safe operation, door closers should be examined and serviced regularly.

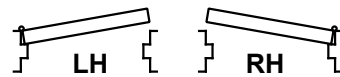
- 2** NOTES:
1. See reverse side of this sheet to machine door & frame.
 2. Dimensions based on 4-1/2" x 4-1/2" full mortise butt hinges with 5/8" stop and 1/8" door gap.
 3. Confirm door & frame are properly reinforced.
 4. Sex nuts required for un-reinforced or composite fire doors.
 5. Do not install closer on the exterior (weather) side of building.

3 TOOLS REQUIRED:

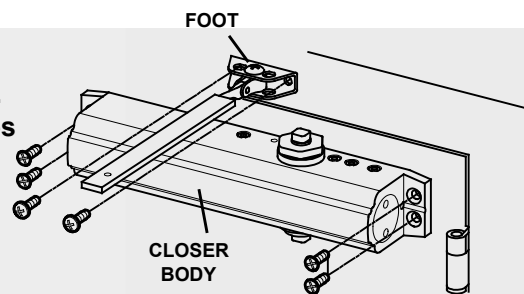
1. Power drill
2. 10mm box/combo wrench
3. Phillips screw driver
4. #7 or 13/64" drill bit and 1/4-20 tap (metal screws)
5. Tap handle
6. 5/32" drill bit (wood screws)
7. 3/8" drill bit (sex nuts)
8. Center punch



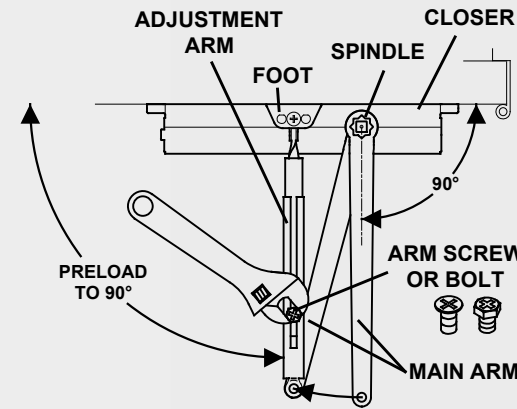
- 4** PREPARE DOOR AND FRAME:
1. Determine proper opening angle.
 2. Determine door hand (LH or RH).
 3. Using template (see reverse side), mark holes on door & frame.



- 5** INSTALL CLOSER AND ARM:
1. Attach closer body to door. Spring adjustment nut faces away from hinges.
 2. Attach foot to frame.



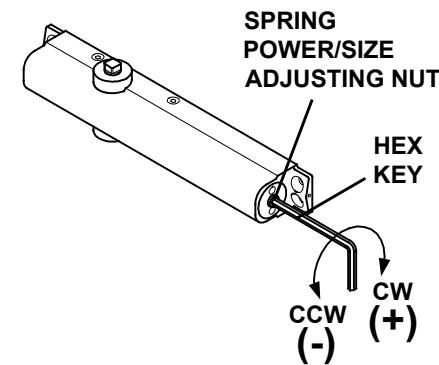
3. Secure main arm to closer spindle 90° to door/frame.
4. Connect adjustment arm with foot assembly: Rotate main arm until adjustment arm is 90° to door & frame. Tighten arm screw or bolt.



6 ADJUST SPRING POWER:

1. Use 4 mm hex key provided to adjust to size on chart. Clockwise (CW) turns increase spring power (+). Counter-clockwise (CCW) turns decrease spring power (-).

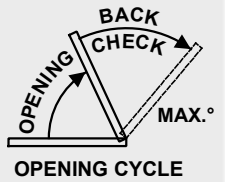
5100 Series closers can be adjusted to meet ADA Barrier Free (BF) applications. Compliance with ADA/BF requirements may result with door not fully closing and latching. Check with local AHJ. Closer size may vary due to site conditions.



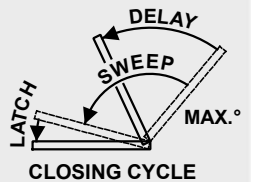
SIZE	DOOR WIDTH		APPROX. 360° TURNS
	INTERIOR	EXTERIOR	
1	32" [812.8]	28" [711.2]	-5 (CCW)
2	36" [914.4]	32" [812.8]	-3 (CCW)
3	42" [1066.8]	36" [914.4]	0 (PRESET)
4	48" [1219.2]	42" [1066.8]	+3 (CW)
5	54" [1371.6]	48" [1219.2]	+6 (CW)
6	58" [1473.2]	54" [1371.6]	+9 (CW)

7 CONTROL ADJUSTMENTS:

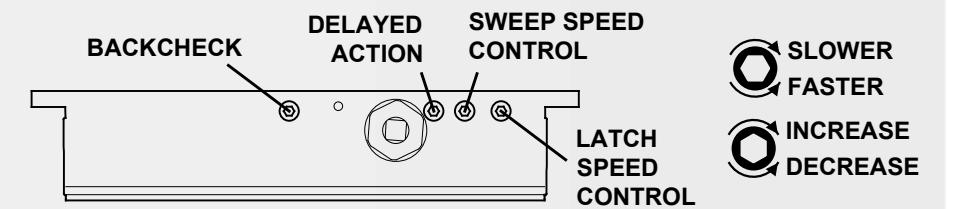
- CRITICAL:** For closer longevity, BACKCHECK must be adjusted to significantly slow opening of door before arm bottoms on stop.



- Closing time of 3-7 seconds is typical. More time may be needed for ADA/BF access. Clockwise (CW) = SLOWER. Counter-clockwise (CCW) = FASTER. DO NOT REMOVE VALVES

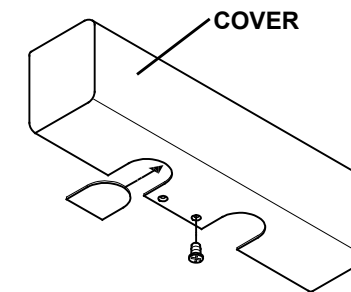


1. Use hex key provided.
2. Adjust SWEEP (closing max.° - 10°).
3. Adjust LATCH (closing 10° - 0°).
4. Adjust BACKCHECK resistance (opening 70° - max.°). DO NOT COMPLETELY CLOSE VALVE
5. Adjust (optional) DELAYED ACTION (closing max.° - 70°); Provides additional hesitation for access (ADA/BF) through door.



8 INSTALL COVER:

1. Align cover with closer spindle. Slide insert into unused cutout.
2. Slide cover over closer until flush with door face.
3. Secure with screw provided.



PDQ Manufacturing
2230 Embassy Dr.
Lancaster, PA 17603
833-273-7832
833-2 PDQTECH
www.pdqlocks.com