

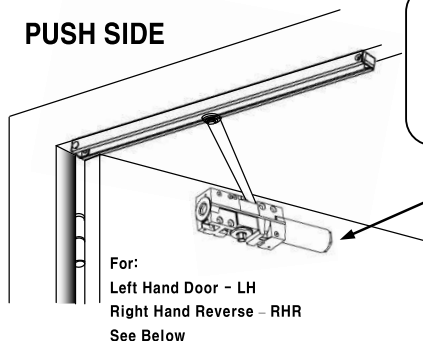


This sheet covers 3 installation options. Select appropriate installation.  
 All measurements are to be made manually.  
 Diagram measurements are for reference only (NOT TO SCALE!).

7100TA/TAHO Series  
 Slide Track Door Closer  
 Push Side - Stop Mounted Track  
 Maximum Door Opening 120°  
 (Conditions Permitting)

# Installation Instructions **PUSH SIDE-STOP MOUNTED TRACK**

**PUSH SIDE**



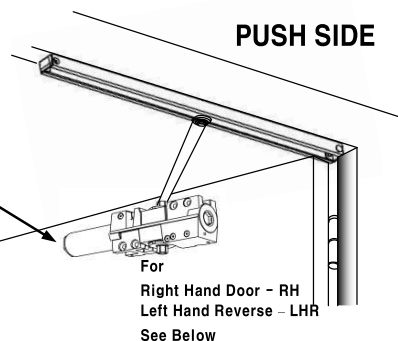
For:  
 Left Hand Door - LH  
 Right Hand Reverse - RHR  
 See Below

**CAUTION**

AN INCORRECTLY INSTALLED OR IMPROPERLY ADJUSTED DOOR CLOSER CAN CAUSE PROPERTY DAMAGE OR PERSONAL INJURY. THESE INSTALLATION INSTRUCTIONS SHOULD BE FOLLOWED TO AVOID THE POSSIBILITY OF MISAPPLICATION OR MISADJUSTMENT.

**CAUTION**

**PUSH SIDE**



For:  
 Right Hand Door - RH  
 Left Hand Reverse - LHR  
 See Below

Spring Power Adjusting Nut

Spring Power Adjusting Nut

## ★ INSTALLATION INSTRUCTIONS

**1** Use diagram to locate holes on door and frame:  
 Drill (4X) on frame stop for track assembly. **Track to Stop**  
 Metal: Use # 21 or 5/32" drill & 10-32 tap  
 Wood: Use 1/8" pilot drill  
 Drill (4X) on door for closer body.

Inches (mm)

102 182 180 182  
 4 7-11/64 7-3/32 7-11/64 4

2-1/8 (54)  
 2-1/4 (57) (25)

102 (25) (127)  
 4 1 5

**Closer to Door**  
 Metal: Use # 7 or 13/64" drill & 1/4"-20 tap  
 Wood: Use 5/32" pilot drill  
 Sex Nuts: Use 3/8" drill (door only)

**1** Use diagram to locate holes on door and frame:  
 Drill (4X) on frame stop for track assembly. **Track to Stop**  
 Metal: Use # 21 or 5/32" drill & 10-32 tap  
 Wood: Use 1/8" pilot drill  
 Drill (4X) on door for closer body.

Inches (mm)

182 180 182 102  
 7-11/64 7-3/32 7-11/64 4

2-1/8 (54)  
 2-1/4 (57) (25) (25)

127 102  
 5 4

**Closer to Door**  
 Metal: Use # 7 or 13/64" drill & 1/4"-20 tap  
 Wood: Use 5/32" pilot drill  
 Sex Nuts: Use 3/8" drill (door only)

**2** **Hold Open:** Install Slider, Hold Open & End cap in direction/sequence shown.  
**Non-Hold Open:** Install Slider & End cap in sequence shown.

**CAUTION**  
 FOLLOW DIRECTION and SEQUENCE

**2** **Hold Open:** Install Slider, Hold Open & Side cap in direction/sequence shown.  
**Non-Hold Open:** Install Slider & End cap in sequence shown.

**CAUTION**  
 FOLLOW DIRECTION and SEQUENCE

**3** Install closer body to door using four (4) screws provided.  
 Install track to frame stop using four (4) screws provided.  
**Insert two (2) filler plugs in front of track.**

Hold Open (OPTIONAL) Track assembly Slider  
 Body Spring adjustment points toward latch edge of door. **Filler Plugs**

**Push Side**

**3** Install closer body to door using four (4) screws provided.  
 Install track to frame stop using four (4) screws provided.  
**Insert two (2) filler plugs in front of track.**

Filler Plugs Track assembly Hold Open (OPTIONAL)  
 Body Spring adjustment points toward latch edge of door.

**Push Side**

**4** Use wrench to rotate pinion shaft 30° toward hinges, (see Figure 1) & secure main arm to pinion as shown.  
 Attach Slider to main arm with bolt provided, (see Figure 2).

**Figure 1** **Figure 2**

**4** Use wrench to rotate pinion shaft 30° toward hinges, (see Figure 1) & secure main arm to pinion as shown.  
 Attach Slider to main arm with bolt provided, (see Figure 2).

**Figure 2** **Figure 1**

**5** **OPTIONAL HOLD OPEN**  
 Engage slider into hold open.  
 Open door to desired hold open angle.  
 Secure Hold Open with set screw.  
 Complete all spring and closer adjustments (see page 3).  
 Secure cover with screws provided.  
 Separate limiting door stop **REQUIRED!**

**5** **OPTIONAL HOLD OPEN**  
 Engage slider into hold open.  
 Open door to desired hold open angle.  
 Secure Hold Open with set screw.  
 Complete all spring and closer adjustments (see page 3).  
 Secure cover with screws provided.  
 Separate limiting door stop **REQUIRED!**

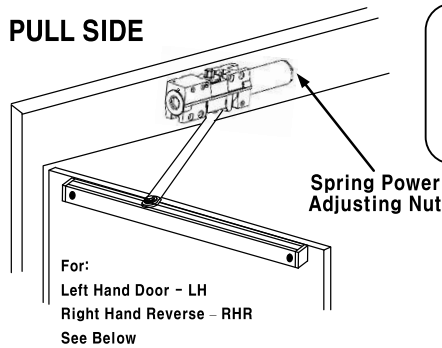


# Installation Instructions

## PULL SIDE-DOOR MOUNTED TRACK

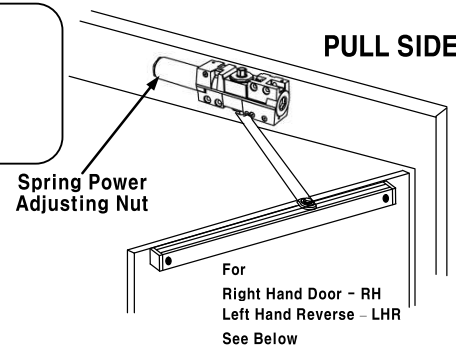
7100TA/TAHO Series  
Slide Track Door Closer  
Pull Side - Stop Mounted Track  
Maximum Door Opening 180°  
(Conditions Permitting)

### PULL SIDE



AN INCORRECTLY INSTALLED OR IMPROPERLY ADJUSTED DOOR CLOSER CAN CAUSE PROPERTY DAMAGE OR PERSONAL INJURY. THESE INSTALLATION INSTRUCTIONS SHOULD BE FOLLOWED TO AVOID THE POSSIBILITY OF MISAPPLICATION OR MISADJUSTMENT.

### PULL SIDE



#### ★ INSTALLATION INSTRUCTIONS

**1** Use diagram to locate holes on door and frame:  
Drill (4X) on door for closer body.  
Drill (2X) on frame stop for track assembly.

**Closer to Frame**  
Metal: Use # 7 or 13/64" drill & 1/4"-20 tap  
Wood: Use 5/32" pilot drill

Inches (mm)

**Track to Door**  
Metal: Use # 21 or 5/32" drill & 10-32 tap  
Wood: Use 1/8" pilot drill

#### ★ INSTALLATION INSTRUCTIONS

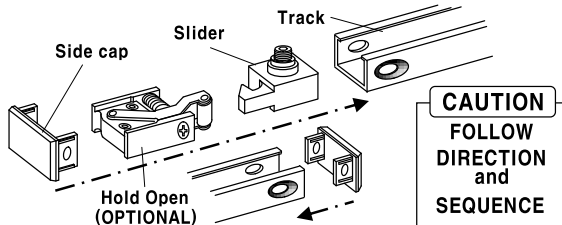
**1** Use diagram to locate holes on door and frame:  
Drill (4X) on door for closer body.  
Drill (2X) on frame stop for track assembly.

**Closer to Frame**  
Metal: Use # 7 or 13/64" drill & 1/4"-20 tap  
Wood: Use 5/32" pilot drill

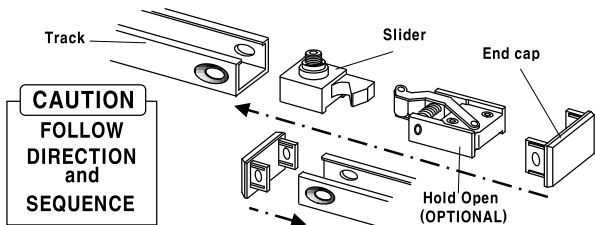
Inches (mm)

**Track to Door**  
Metal: Use # 21 or 5/32" drill & 10-32 tap  
Wood: Use 1/8" pilot drill

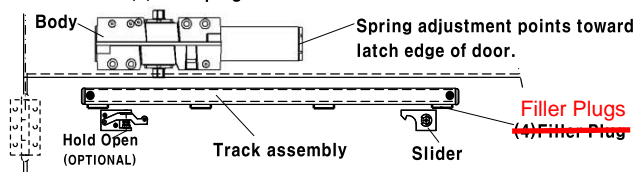
**2** **Hold Open:** Install Slider, Hold Open & End cap in direction/sequence shown.  
**Non-Hold Open:** Install Slider & End cap in sequence shown.



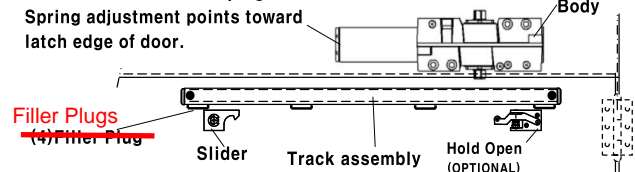
**2** **Hold Open:** Install Slider, Hold Open & End cap in direction/sequence shown.  
**Non-Hold Open:** Install Slider & End cap in sequence shown.



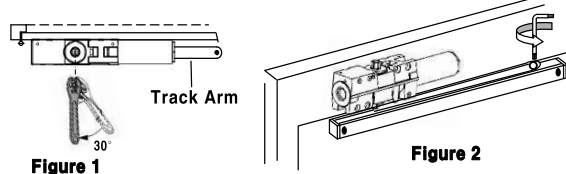
**3** Install closer body to frame using four (4) screws provided.  
Install track to door using four (2) screws provided.  
Insert four (4) filler plugs in underside of track.



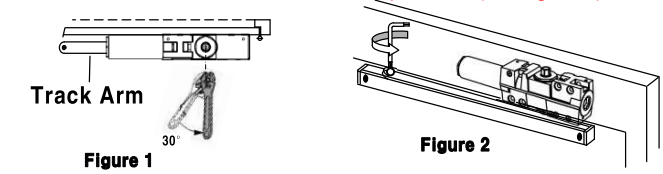
**3** Install closer body to frame using four (4) screws provided.  
Install track to door using four (2) screws provided.  
Insert four (4) filler plugs in underside of track.



**4** Use wrench to rotate pinion shaft 30° toward hinges, (see Figure 1) & secure main arm to pinion shaft as shown.  
Attach slider to main arm with bolt provided (see figure 2).

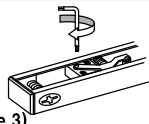


**4** Use wrench to rotate pinion shaft 30° toward hinges, (see Figure 1) & secure main arm to pinion shaft as shown.  
Attach slider to main arm with bolt provided (see figure 2).



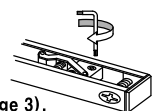
#### 5 OPTIONAL HOLD OPEN

Engage slider into hold open.  
Open door to desired hold open angle.  
Secure Hold Open with set screw.  
Complete all spring and closer adjustments (see page 3).  
Secure cover with screws provided.  
Separate limiting door stop REQUIRED!



#### 5 OPTIONAL HOLD OPEN

Engage slider into hold open.  
Open door to desired hold open angle.  
Secure Hold Open with set screw.  
Complete all spring and closer adjustments (see page 3).  
Secure cover with screws provided.  
Separate limiting door stop REQUIRED!

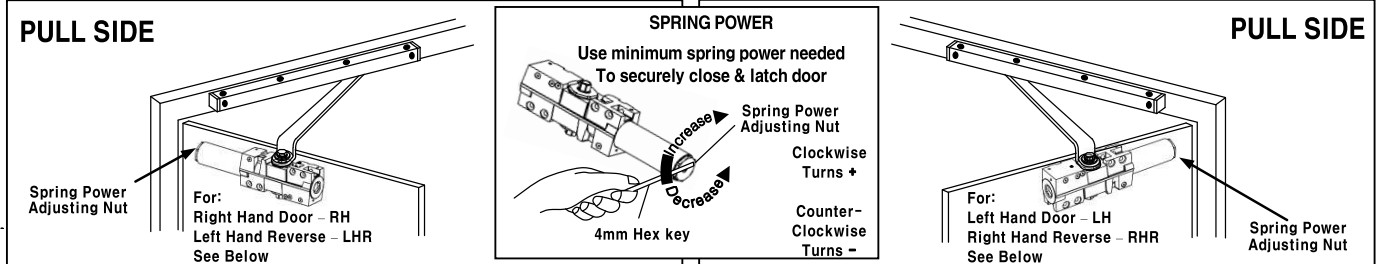




# Installation Instructions

## PULL SIDE, FRAME MOUNTED TRACK

7100TA/TAHO Series  
Slide Track Door Closer  
Pull Side - Stop Mounted Track  
Maximum Door Opening 120°  
(Conditions Permitting)



**★ INSTALLATION INSTRUCTIONS**

**1** Use diagram to locate holes on door and frame:  
Drill four (4X) on door for closer body.  
Drill (2X) on frame for track assembly.

**Track to Frame**  
Metal: Use # 21 or 5/32" drill & 10-32 tap  
Wood: Use 1/8" pilot drill

**Closer to door**  
Metal: Use # 7 or 13/64" drill & 1/4"-20 tap  
Wood: Use 5/32" pilot drill  
Sex Nuts: Use 3/8" drill (door only)

**★ INSTALLATION INSTRUCTIONS**

**1** Use diagram to locate holes on door and frame:  
Drill four (4X) on door for closer body.  
Drill (2X) on frame for track assembly.

**Track to Frame**  
Metal: Use # 21 or 5/32" drill & 10-32 tap  
Wood: Use 1/8" pilot drill

**Closer to door**  
Metal: Use # 7 or 13/64" drill & 1/4"-20 tap  
Wood: Use 5/32" pilot drill  
Sex Nuts: Use 3/8" drill (door only)

**2** **Hold Open:** Install Slider, Hold Open & End cap in direction/sequence shown.  
**Non-Hold Open:** Install Slider & End cap in sequence shown.

**CAUTION**  
FOLLOW DIRECTION and SEQUENCE

**2** **Hold Open:** Install Slider, Hold Open & End cap in direction/sequence shown.  
**Non-Hold Open:** Install Slider & End cap in sequence shown.

**CAUTION**  
FOLLOW DIRECTION and SEQUENCE

**3** Install closer body to door using four (4) screws provided.  
Install track to frame using two (2) screws provided.  
Insert four (4) filler plugs in top of track.

Spring adjustment points toward hinges.

**3** Install closer body to door using four (4) screws provided.  
Install track to frame using two (2) screws provided.  
Insert four (4) filler plugs in top of track.

Spring adjustment points toward hinges.

**4** Use wrench to rotate pinion shaft 30° toward hinges, (see Figure 1) & secure main arm to pinion shaft as shown.  
Attach slider to main arm with bolt provided, (see Figure 2).

**Figure 1** **Figure 2**

**4** Use wrench to rotate pinion shaft 30° toward hinges, (see Figure 1) & secure main arm to pinion shaft as shown.  
Attach slider to main arm with bolt provided, (see Figure 2).

**Figure 2** **Figure 1**

**5** **OPTIONAL HOLD OPEN**  
Engage slider into hold open.  
Open door to desired hold open angle.  
Secure Hold Open with set screw.  
Complete all spring and closer adjustments (see page 3).  
Secure cover with screws provided.  
Separate limiting door stop REQUIRED!

**5** **OPTIONAL HOLD OPEN**  
Engage slider into hold open.  
Open door to desired hold open angle.  
Secure Hold Open with set screw.  
Complete all spring and closer adjustments (see page 3).  
Secure cover with screws provided.  
Separate limiting door stop REQUIRED!

**CLOSER ADJUSTMENT**

**Closing cycle**

Four (4) to six (6) second closing time is typical.  
Do not allow to slam! Injury could occur!

**Opening cycle**

Do not completely close BC valve.