

7101 DOOR CLOSER MODELS

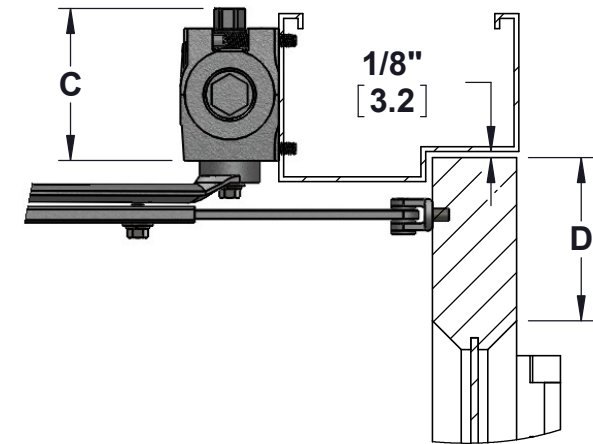
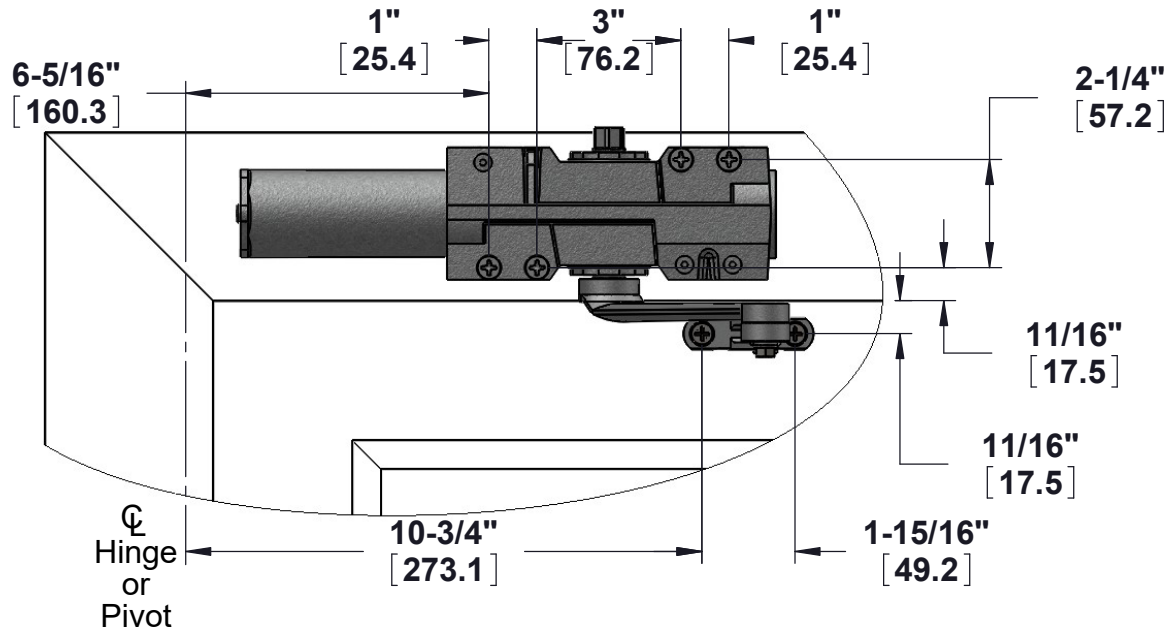
TOP JAMB INSTALLATION - PUSH SIDE (FLUSH HEADER OR SINGLE RABBET FRAME)
NON-HOLD OPEN AND HOLD OPEN APPLICATIONS

TEMPLATE: 719302,
REV. 0 02-15-12

Dim. C	
MIN. FRAME FACE TO MOUNT CLOSER *	3-1/4" [82.6]
MIN. CEILING CLEARANCE TO FULL COVER	3-7/8" [98.4]

Dim. D	
MIN. RAIL TO MOUNT NHO ARM	1-5/8" [41.3]
MIN. RAIL TO MOUNT HO ARM	1-7/8" [47.6]

* TYPICAL DOUBLE RABBETED FRAME WITH FACE LESS THAN 3-1/4" REQUIRES OPTIONAL TOP JAMB BACK PLATE #719024 OR TOP JAMB DROP PLATE #719023.



NOTES:

1. DRAWING IS NOT TO SCALE.
2. DIMENSIONS IN **INCHES** [MM].
3. LEFT HAND DOOR SHOWN. FOR RIGHT HAND DOOR REVERSE IMAGE.
4. DIMENSIONS BASED ON 4-1/2" X 4-1/2" BUTT HINGES.
5. MAXIMUM DOOR SWING 120°
6. DOOR SWING MAY BE ALTERED DUE TO OTHER LIMITING CONDITIONS.
7. CAUTION: SEX NUTS MAY BE REQUIRED FOR UNREINFORCED DOORS OR COMPOSITE FIRE DOORS. CONSULT MANUFACTURER'S RECOMMENDATIONS.
8. HOLD OPEN ARMS CAN NOT BE USED ON LABELED FIRE DOORS.
9. ALWAYS CHECK PDQ WEBSITE FOR THE MOST RECENT REVISION AT WWW.PDQLOCKS.COM.

MACHINE SCREWS: USE #7 OR 13/64" [5.1] DRILL AND 1/4-20 TAP
WOOD DOOR/FRAME SCREWS: USE 5/32" [4] DRILL
SEX NUTS: USE 3/8" [9.5] DRILL (FOOT TO DOOR)