

# EPT100-ISMC

## POWER TRANSFER WITH ISMC CONNECTORS

TEMPLATE: EPT-9701

REV. 0 8-7-24

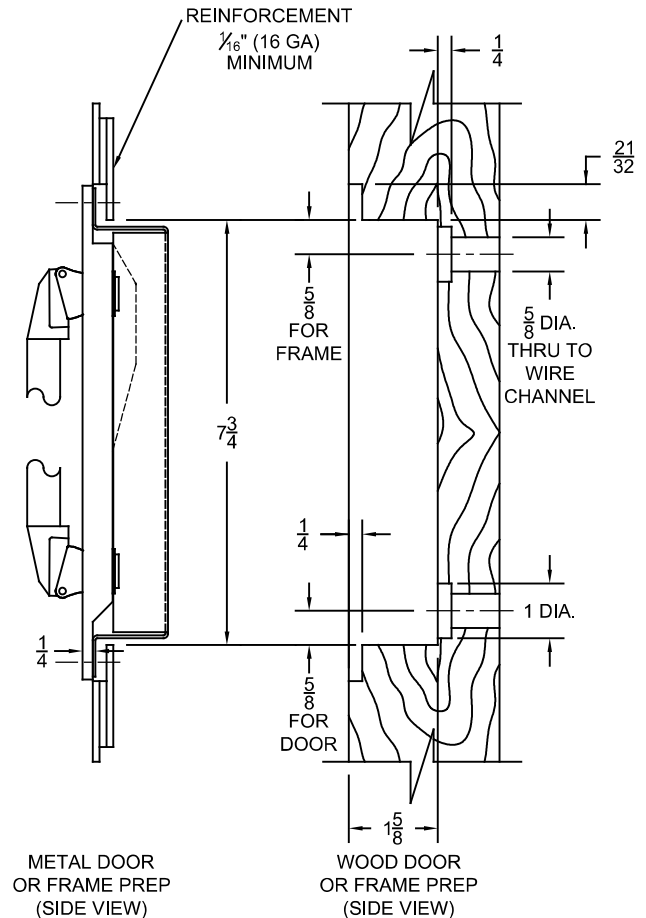
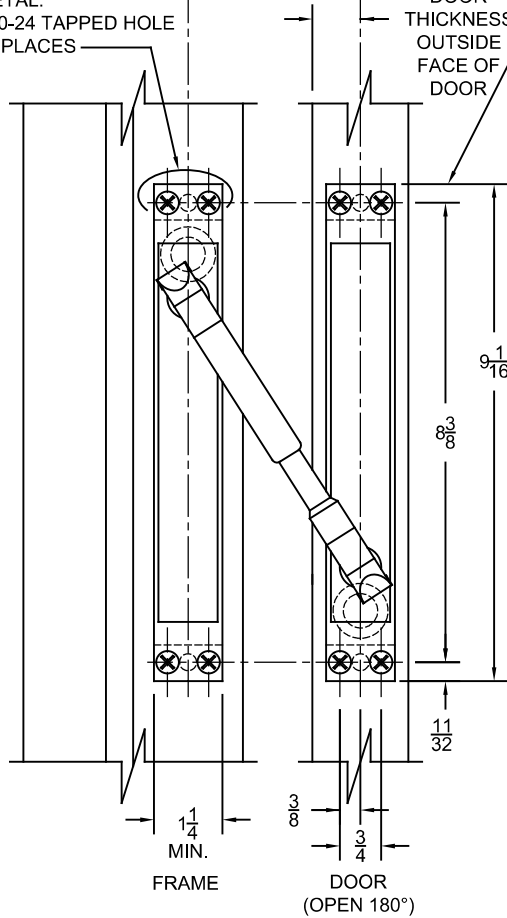
☉ OF PT IN FRAME MUST ALIGN WITH ☉ OF PT IN DOOR

WOOD:  
HOLES PREPARED DURING INSTALL  
METAL:  
#10-24 TAPPED HOLE  
12 PLACES

$3\frac{3}{4}$  MAX.  
WHEN  
INSTALLED

DIMENSION VARIES PER  
DOOR  
THICKNESS  
OUTSIDE  
FACE OF  
DOOR

RECOMMENDED 6" BELOW UPPER HINGE  
ON DOORS UP TO 7'0" HIGH.  
LOCATE 24" BELOW UPPER HINGE ON DOORS  
OVER 7'0" TO 10'0" HIGH.  
NOTE: FOR WOOD FIRE DOOR, CONSULT  
DOOR MANUFACTURE FOR APPROVED LOCATION.



NOTE:

1. DOOR THICKNESS 1-3/4" TO 2"
2. BUTT HINGES UP TO 5" FOR MAX 180 DEG. DOOR SWING
3. 5-1/2" BUTT HINGES FOR MAX 130 DEG. DOOR SWING (1-3/4" THICK DOOR ONLY)
4. 6" BUTT HINGES FOR MAX 110 DEG. DOOR SWING (1-3/4" THICK DOOR ONLY)
5. 3/4" OFFSET PIVOTS FOR 180 DEG. MAX DOOR SWING (1-3/4" THICK DOOR ONLY)
6. CAM LIFT HINGES (UP TO 1/2" LIFT)-ALLOWING FOR 180° DOOR SWING
7. ELECTRICAL RATING: (12) 24 AWG WIRES-MAX. RATING 24VDC, 1A



PDQ Manufacturing  
2230 Embassy Dr.  
Lancaster, PA 17603  
833-273-7832  
833-2 PDQTECH  
www.pdqlocks.com