

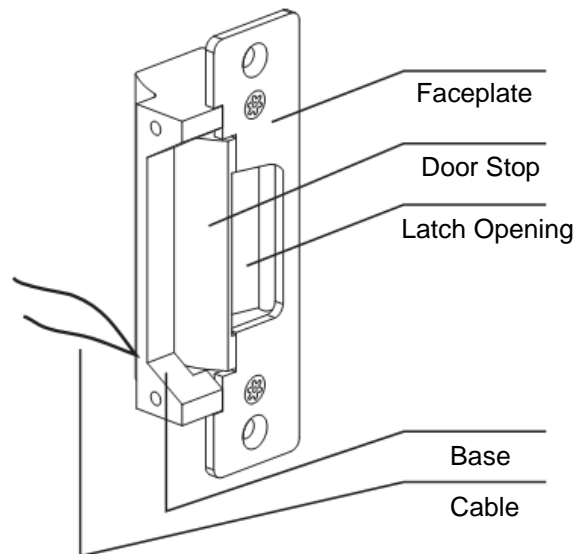
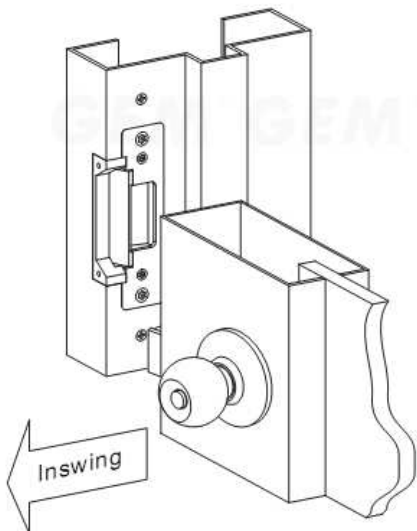


# Electric Strike Installation Instruction






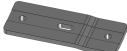
For PDQ GR1 and GR2 Cylindrical Locks



Operating Voltage	12VDC,24VDC,12/24VDC
Voltage Tolerance	±15%
Current Draw	0.25A/12VDC 0.15A/24VDC
Operating Temperature	14 – 110 degrees F
Humidity	0-95%



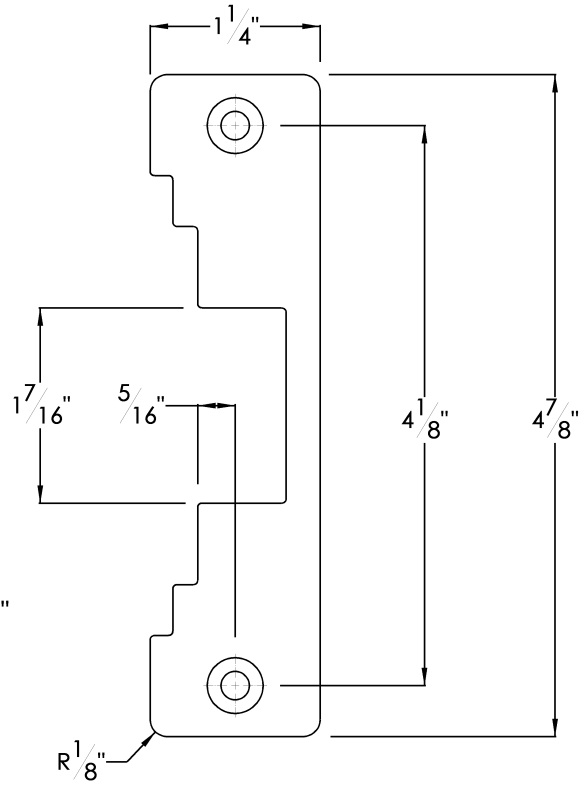
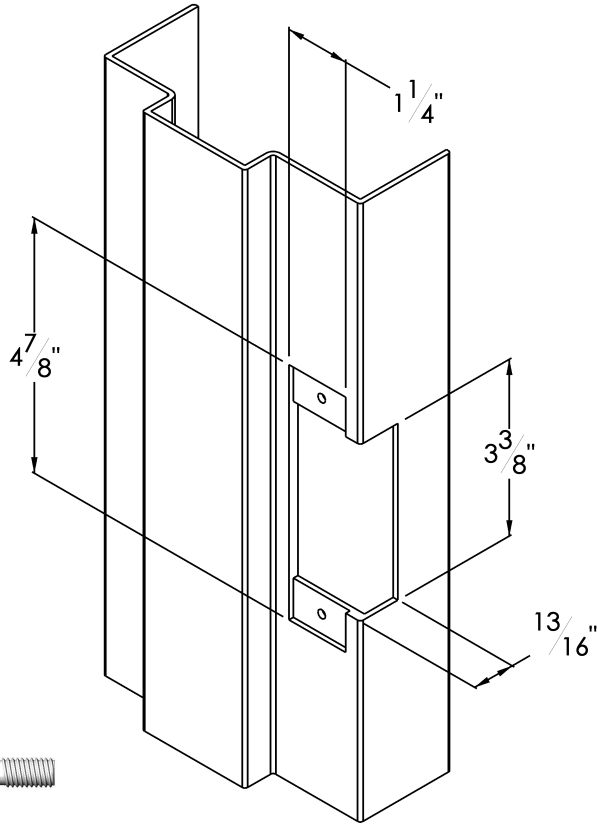
## Included Hardware


-  2 x M4x0.7 Screw(s)
-  4 x M5x0.8 Screw(s)
-  2 x 1-1/4 Wood Screw(s)
-  2 x M4x0.7 Nut(s)
-  2 x Butt Splice Connector(s)
-  2 x Support Bracket(s)

## Installation Instructions

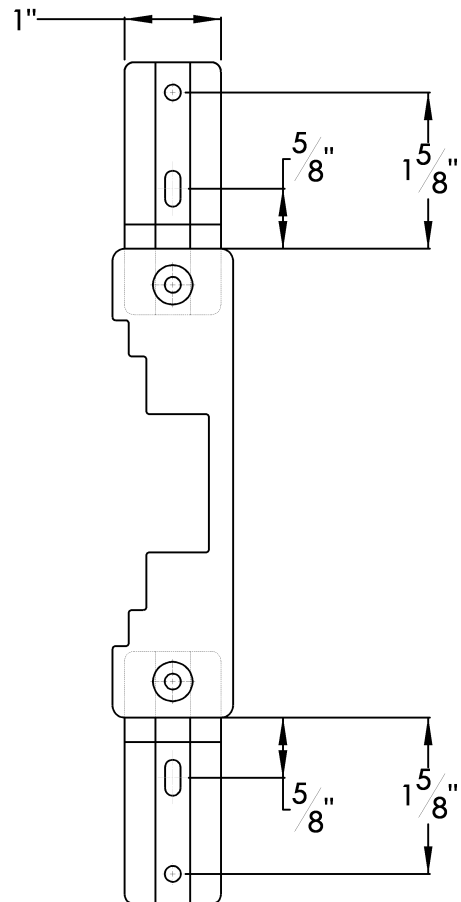
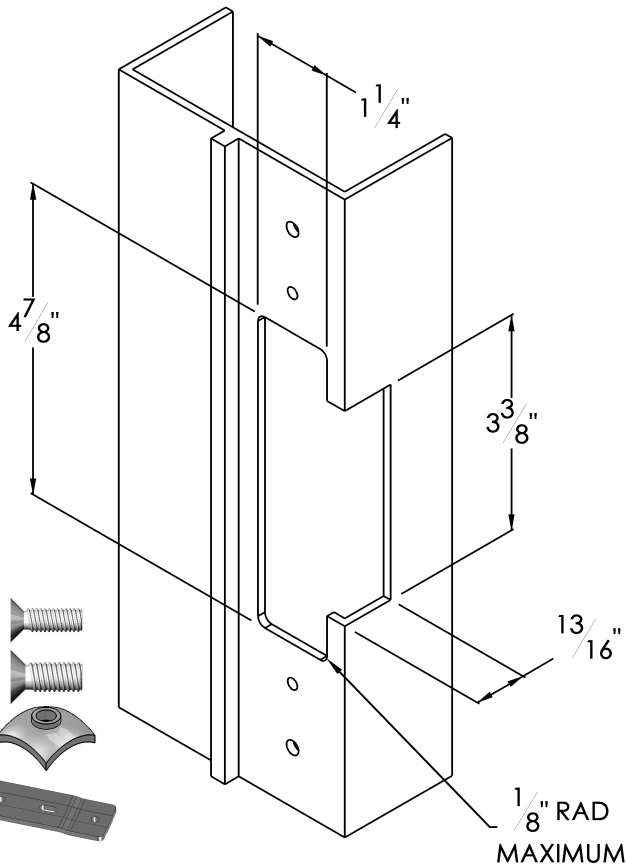
1. Verify that the strike is in the proper mode of operation (Fail Secure/ Fail Safe). *Refer to page 3*
2. Prepare frame using the appropriate template for your frame type. *Refer to page 2*
3. Connect the strike to power source. *Refer to page 3*
4. Install the strike unit in jamb cutout using the hardware provided. *Refer to page 2*




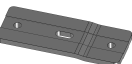
# ANSI Metal Jamb Installations



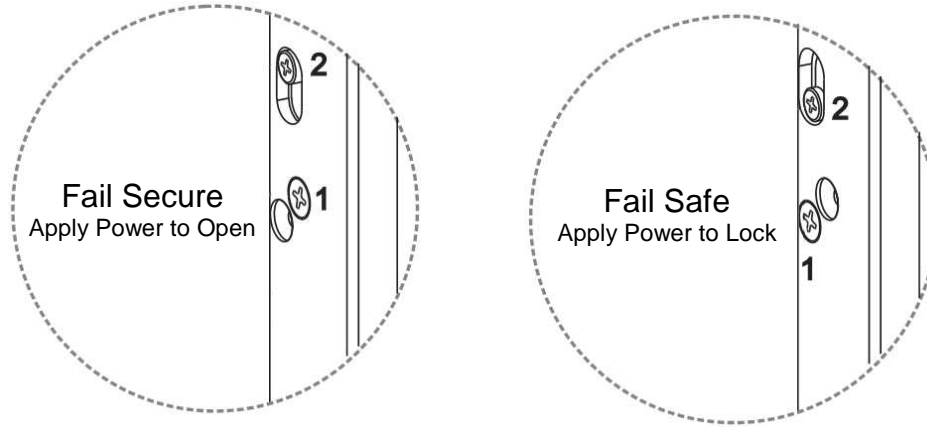
(4) M5x0.8 

# Aluminum Jamb Installations



- (2) M4x0.7 
- (4) M5x0.8 
- (2) M4x0.7 Nut 
- (2) Support 

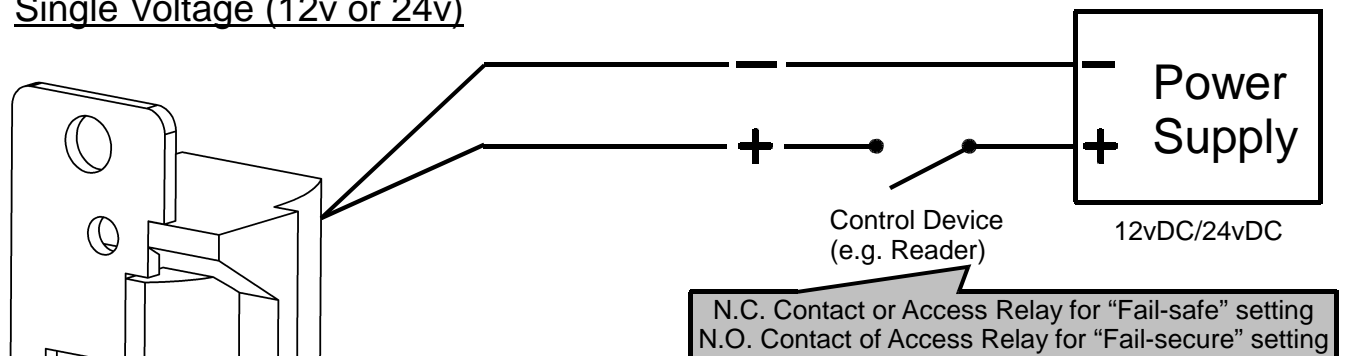
# Changing Fail-Safe / Fail-Secure



Strike is shipped from factory in fail-secure configuration. If fail-safe configuration is desired, remove screw from hole #1 as shown in above diagram and loosen screw #2. Slide screw #2 to opposite end of the slot and tighten. Install screw #1 into hole labeled fail safe.

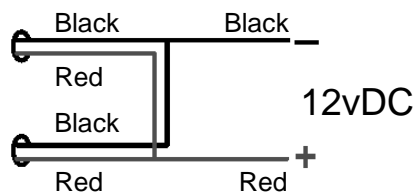
## Wiring Diagram

### Single Voltage (12v or 24v)



### Dual Voltage (12v or 24v)

Connect wires in **Parallel** for the 12vDC operation.



Connect wires in **Series** for the 24vDC operation.

