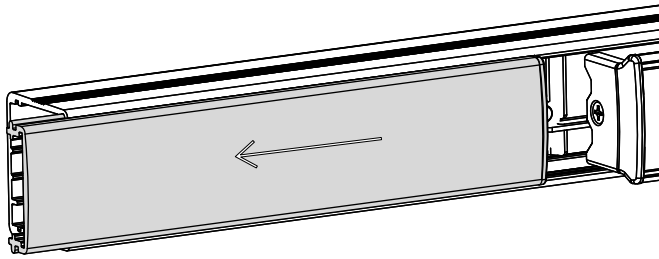


63/6400 MOTORIZED LATCH RETRACTION (MLR) CALIBRATION AND INSTALLATION INSTRUCTIONS



Phone: 833-2-PDQTEC | www.pdqlocks.com



1. REMOVE FILLER PLATE

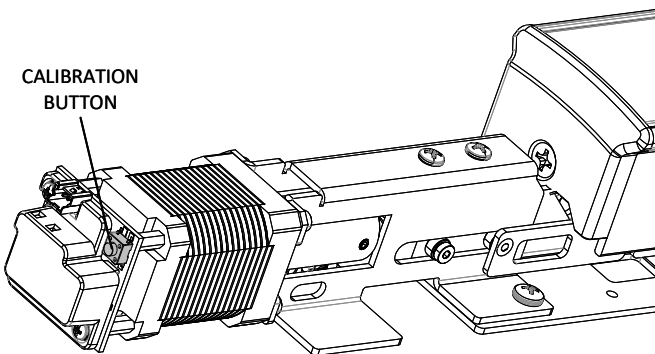
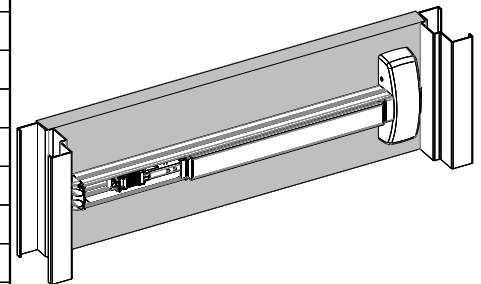
- Slide filler plate away from pushbar
- If plastic filler plug remains inside main rail, remove and reinstall into filler plate

2. WIRE AND CONNECT MLR, INSTALL DEVICE

- Follow exit device template and instructions to fully install exit device without filler plate
- Terminate all MLR connections
- Apply momentary power to test MLR.

**Refer to pdqlocks.com for MLR datasheet*

63/6400 Pinout	
Function	Color
MLR	Black
MLR	Black
REX (COM)	Yellow
REX (N/O)	Red
REX (N/C)	Gray
LM (COM)	Black
LM (N/O)	Orange
LM (N/C)	Violet



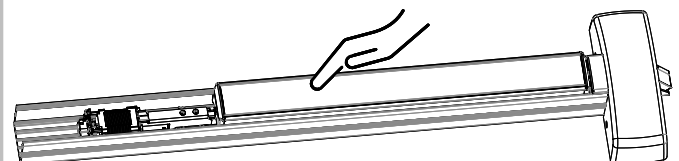
3. IF FACTORY CALIBRATION IS NOT TO YOUR LIKING, ENTER CALIBRATION MODE

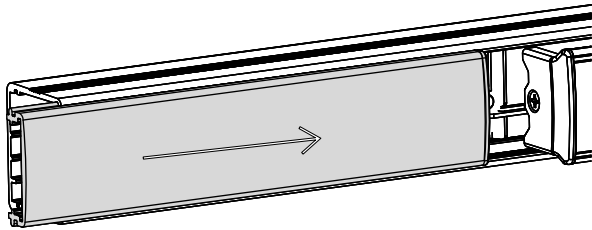
- Press and hold calibration button
- Apply momentary power
 - i.e. swipe badge or enter pin
- The unit will emit (1) short beep
- Release calibration button
- The device is now in calibration mode

4. CALIBRATE PUSHBAR

- Depress pushbar then apply momentary power
- The device will emit (1) long beep
- When beep has finished, release pushbar
- Test latch retraction with badge/pin

**If calibration is not to your liking, repeat steps 3 and 4*





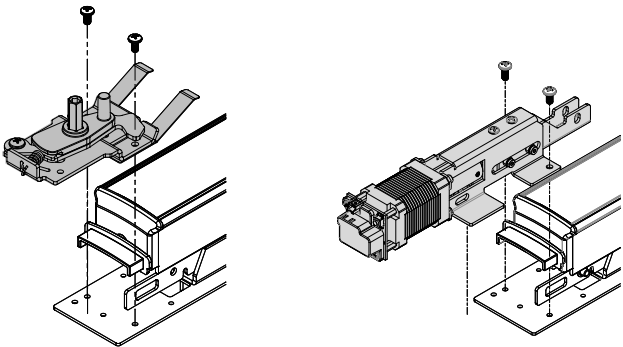
5. REINSTALL FILLER PLATE AND END CAP

- Ensure filler plate is flush with main rail
- Reinstall end cap

MLR TROUBLESHOOTING GUIDE

BEEPS	EXPLANATION	SOLUTION
2 Beeps	Over Voltage	> 30V unit will shut down. Check voltage & adjust to 24 V
3 Beeps	Under Voltage	< 20V unit will shut down. Check voltage & adjust to 24 V.
4 Beeps	Failed Sensor	Contact PDQ Tech Support.
5 Beeps	Retraction or dogging failure	<p><u>1st fail:</u> 5 beeps then immediately attempts to retract again.</p> <p><u>2nd fail:</u> 5 beeps with pause in-between for 30 seconds then device attempts to retract again.</p> <p><u>3rd fail:</u> 5 beeps every 7 minutes, device will not attempt to retract.</p> <p><u>To Reset:</u> Depress then hold bar for 5 seconds at any time.</p>

MLR FIELD INSTALLATION INSTRUCTION

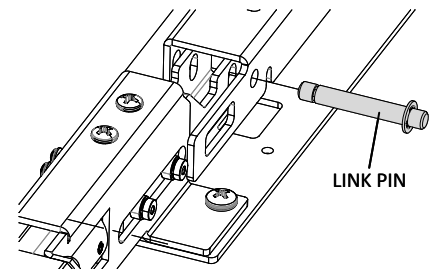


1. REMOVE EXISTING DOGGING PLATE AND REPLACE WITH MLR

- Remove (3) screws that are securing dogging plate, if applicable
- Discard dogging plate
- Install MLR

2. INSTALL LINK ROD

- Install link rod through link bar and through MLR bracket
- Install retaining ring on both sides



3. INSTALL PUSH-IN RIVET INTO FILLER PLATE

- Consult customer service if you are converting from anything other than hex dogging

