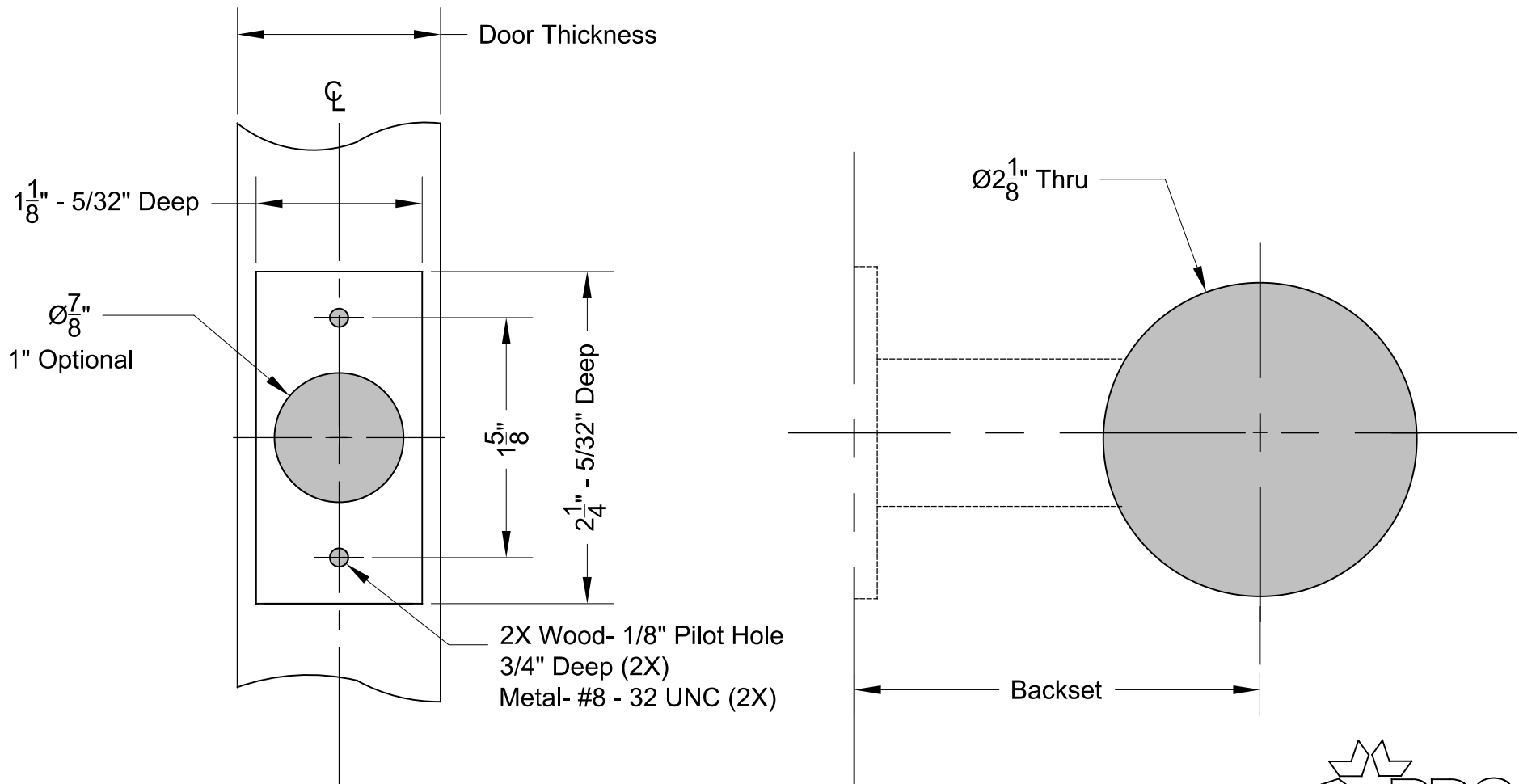


KMS VIZpin Deadbolt Template

TEMPLATE: VZ-9707

REV. 0 3-14-23

Hollow Metal, Wood or Composite- Square or Beveled Edge Door
Door Thickness 1 3/4"
Backset 2 3/8" / 2 3/4"
Faceplate 1 1/8" Square Corner



NOTES:

1. DIMENSIONS IN INCHES.
2. ALWAYS CHECK PDQ WEBSITE FOR THE MOST RECENT TEMPLATE REVISION AT WWW.PDQLOCKS.COM



PDQ Manufacturing
2230 Embassy Dr.
Lancaster, PA 17603
833-273-7832
833-2 PDQTECH
www.pdqlocks.com