

KMS INSTALLATION INSTRUCTION

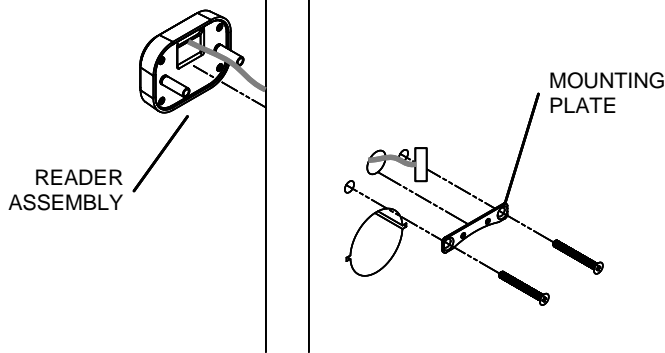
PASSIVEBOLT POWERED DEADBOLT



PassiveBolt

For Mechanical Concerns:
Phone: 866-874-3662
www.pdqlocks.com

For Electrical Concerns:
Email: support@passivebolt.com
www.PassiveBolt.com

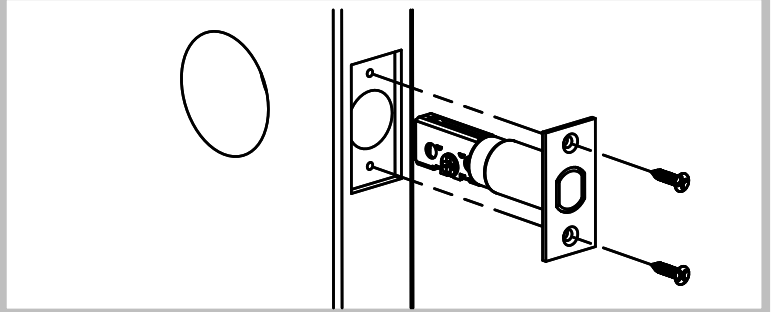


1. PREPARE DOOR & INSTALL READER ASSEMBLY

- Prepare door according to template.
- Install reader assembly
- Route wires through door - Do not pinch wires
- Install mounting plate
- Secure with (2) flat head screws.

2. INSTALL LATCH

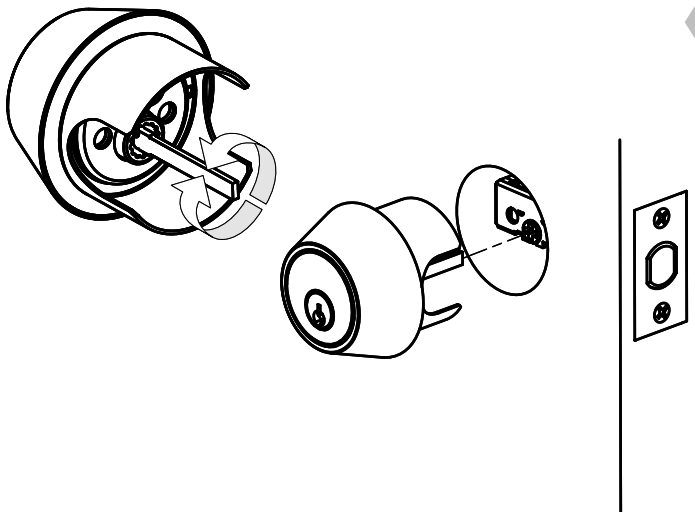
- Install latch with cross slot for tailpiece toward bottom.
- Secure with (2) #8 x 3/4" combo screws.



2. INSTALL CYLINDER ASSEMBLY

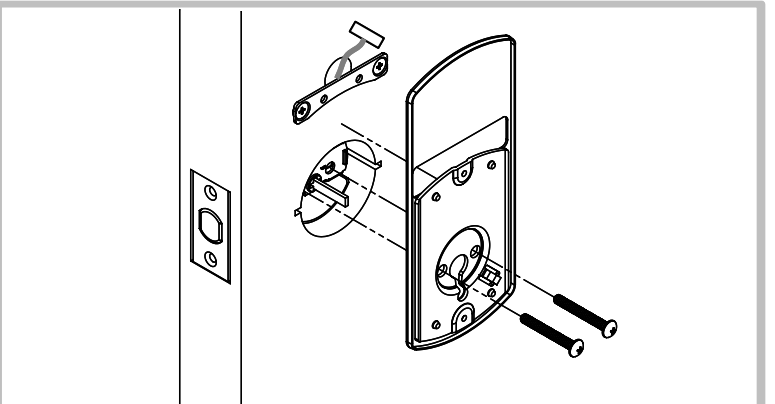
- Install deadbolt assembly from outside of door.
- Retract deadbolt -
Left Hand Door – Rotate tailpiece clockwise until it stops in the vertical orientation.

Right Hand Door – Rotate tailpiece counter-clockwise until it stops in the vertical orientation.



4. INSTALL GASKET & INSIDE MOUNTING PLATE

- Install rubber gasket and inside mounting plate and secure with (2) pan head screws.



5. INSTALL INSIDE TRIM AND BATTERIES

- Make reader connection
- Secure escutcheon with (2) short pan head screws.
- Install batteries and battery cover with pan head screw.

