

THIS SIDE OF TEMPLATE FOR INSIDE OF RH/RHR DOORS

REV0 5-26-23

ANSI STANDARD:
MRS SERIES MORTISE LOCKS ARE INSTALLED
FOLLOWING THE DOOR AND FRAME REQUIREMENTS
FOUND IN ANSI/BHMA A156.13.

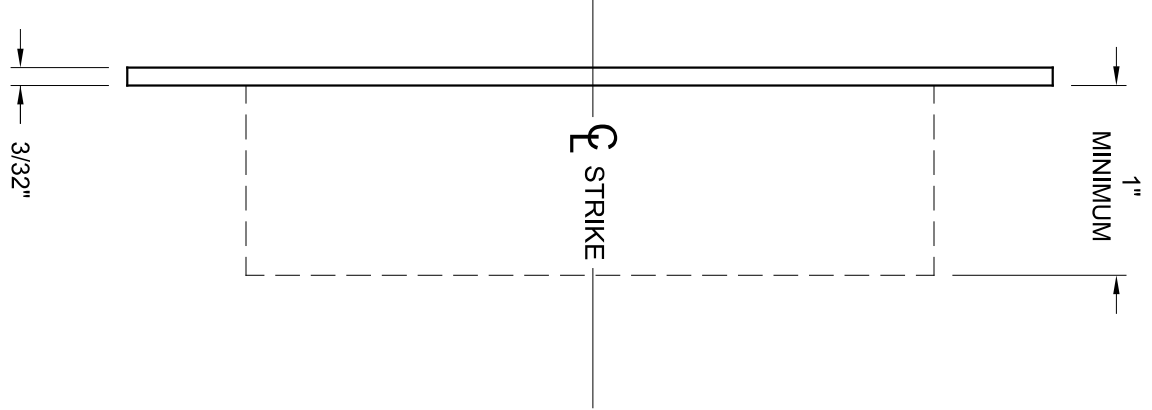
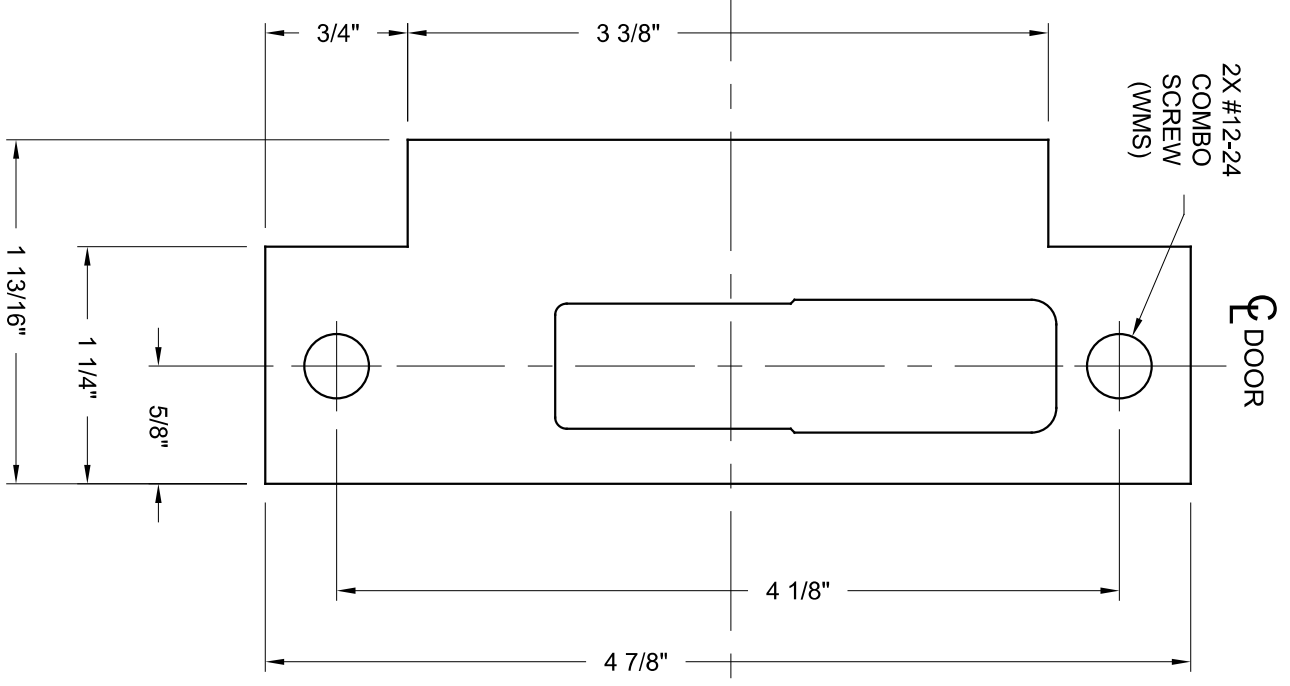
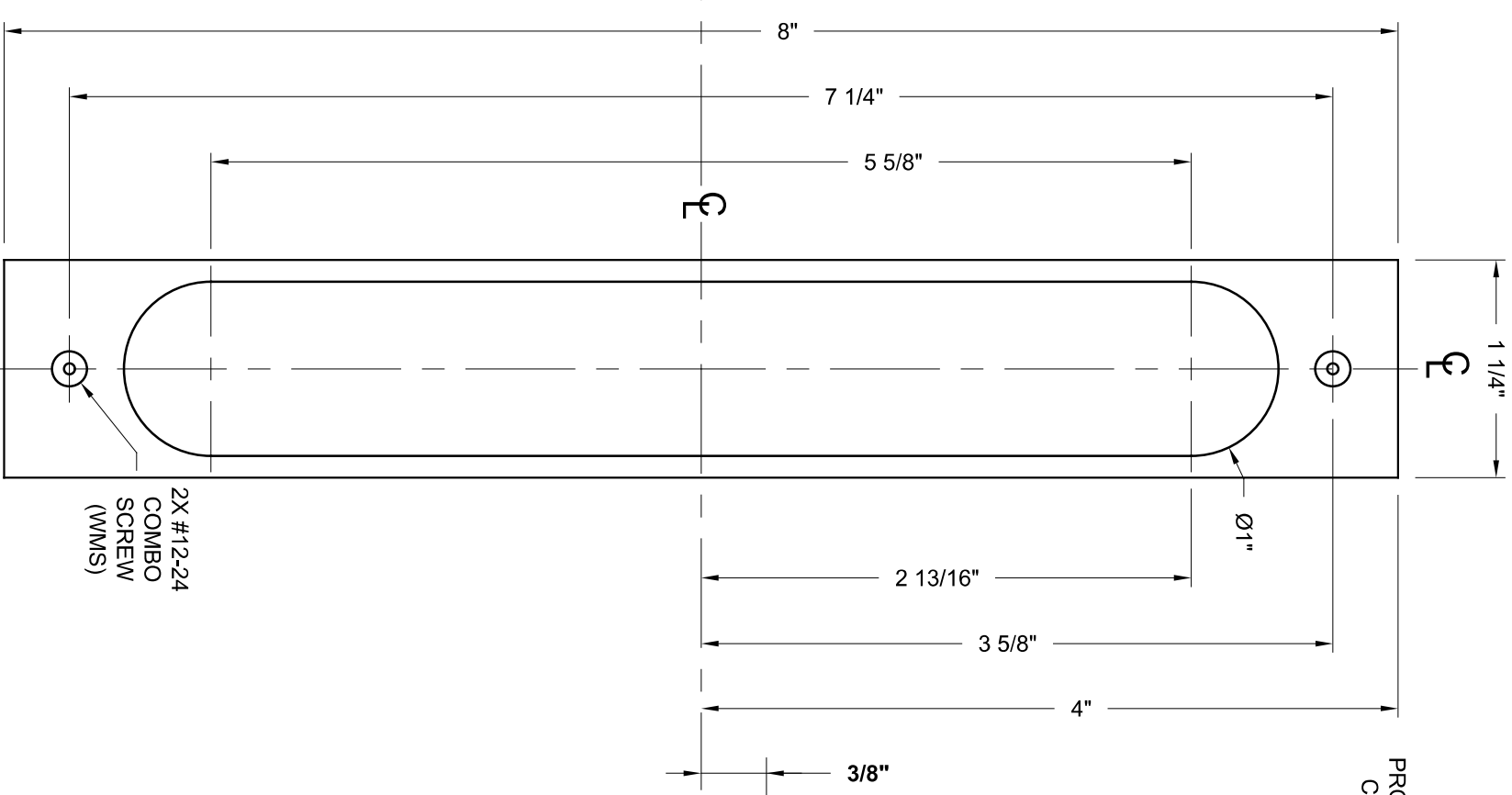
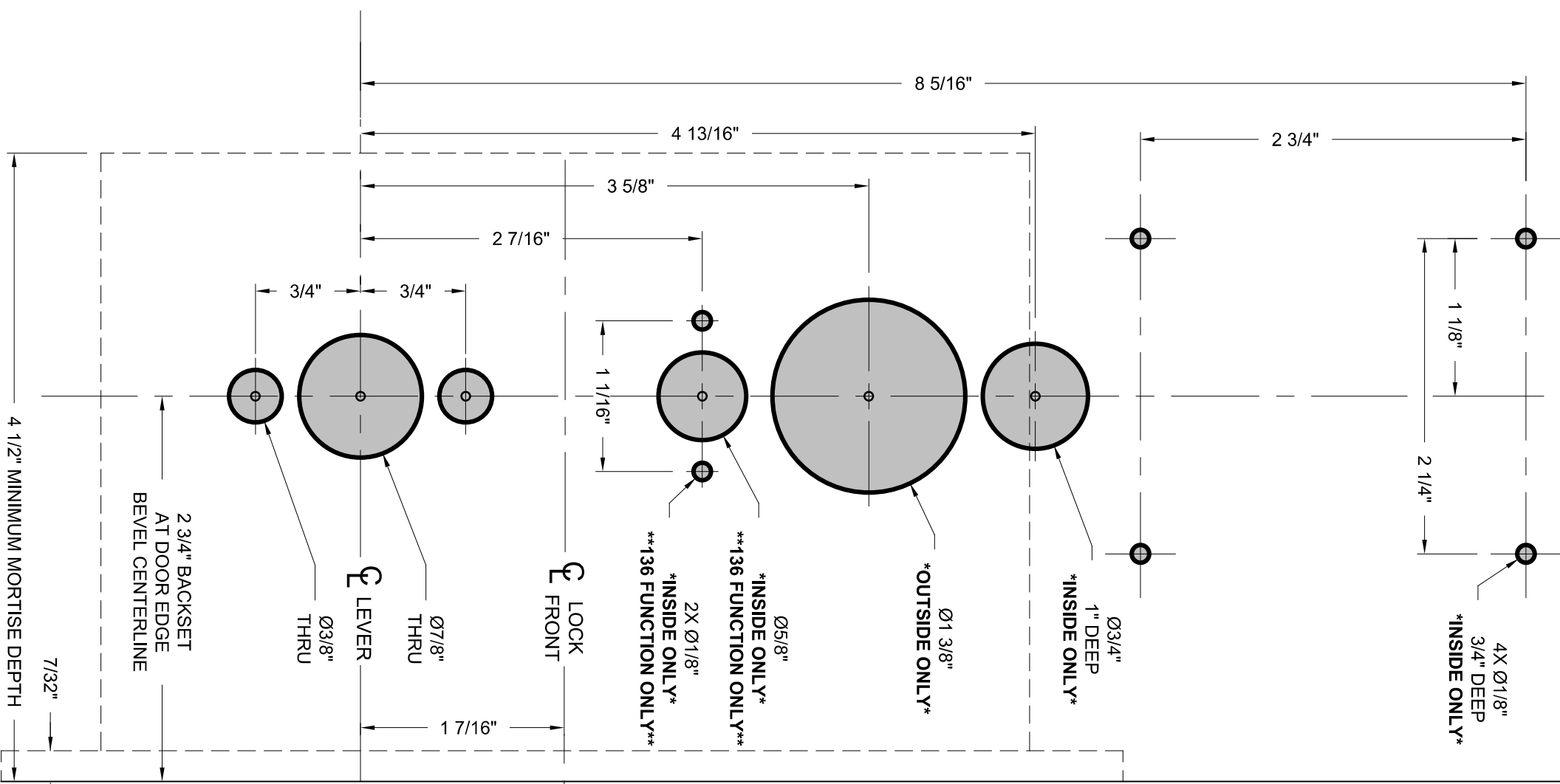
DOORS:
REINFORCEMENT IS REQUIRED PER ANSI A115.1.

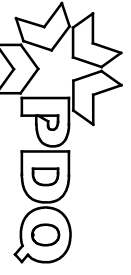
DOOR THICKNESS:
STANDARD DOOR THICKNESS IS 1-3/4".
CONSULT FACTORY FOR OTHER DOOR SIZES.

SILENCERS AND WEATHER STRIPPING:
PROVISIONS MUST BE MADE TO ALLOW PROPER DOOR
CLOSURE WHEN USING DOOR SILENCERS, WEATHER
STRIPPING OR SOUND PROOFING.

PDQ
PDQ Manufacturing
2230 Embassy Dr.
Lancaster, PA 17603
833-273-7832
Fax: 717-656-6892
www.pdqlocks.com

**Installation
Template for BLE
Sectional
Mortise Locksets**





PDDQ Manufacturing
 2230 Embassy Dr.
 Lancaster, PA 17603
 833-273-7832
 Fax: 717-656-6892
 www.pddlocks.com

THIS SIDE OF TEMPLATE FOR INSIDE OF LH/LHR DOORS

REV0 5-26-23

ANSI STANDARD:
 MRS SERIES MORTISE LOCKS ARE INSTALLED
 FOLLOWING THE DOOR AND FRAME REQUIREMENTS
 FOUND IN ANSIBHMA A156.13.

DOORS:
 REINFORCEMENT IS REQUIRED PER ANSI A115.1.

DOOR THICKNESS:
 STANDARD DOOR THICKNESS IS 1-3/4".
 CONSULT FACTORY FOR OTHER DOOR SIZES.

SILENCERS AND WEATHER STRIPPING:
 PROVISIONS MUST BE MADE TO ALLOW PROPER DOOR
 CLOSURE WHEN USING DOOR SILENCERS, WEATHER
 STRIPPING OR SOUND PROOFING.

Installation

Template for BLE Sectional

Mortise Locksets

