

4200 Trims

Exit Device Trims

Architectural Submittal Sheet

Lever Styles



BOSTON – BSN
4SH TRIM ONLY



MIAMI – MIA
4SH TRIM ONLY



PHILADELPHIA – PHL

Trim Types



EW - ESCUTCHEON
WIDE



EN - ESCUTCHEON
NARROW



GW - GRIP PULL
WIDE



SH - SECTIONAL
LEVER



P03 - PULL



P02 - PULL






P01 - PLATE






K - SECTIONAL KNOB

Wide Stile Trim

STYLE		FUNCTION	DESCRIPTION	TRIM TYPE
4EW	 WIDE ESCUTCHEON	02	Dummy Trim (Rigid Lever)	4 EW 02 PHL
		08	Classroom w/ Lever	4 EW 08 PHL
		09	Storeroom w/ Lever	4 EW 09 PHL
		14	Passage w/ Lever	4 EW 14 PHL
4EN	 NARROW ESCUTCHEON	02	Dummy Trim (Rigid Lever)	4 EN 02 PHL
		08	Classroom w/ Lever	4 EN 08 PHL
		09	Storeroom w/ Lever	4 EN 09PHL
		14	Passage w/ Lever	4 EN 14 PHL
4S	 SECTIONAL LEVER HEAVY DUTY Sectional lever trim not compatible when using SNB to through bolt device chassis	02	Dummy Trim (Rigid Lever)	4 S 02 BSN, MIA, PHL
		08	Classroom w/ Lever	4 S 08 BSN, MIA, PHL
		09	Storeroom w/ Lever	4 S 09 BSN, MIA, PHL
		14	Passage w/ Lever	4 S 14 BSN, MIA, PHL

4200 Trims

Wide Stile Trim

	STYLE	FUNCTION	DESCRIPTION	TRIM TYPE
4K	SECTIONAL KNOB 	08	Classroom	4 K 08
		14	Passage	4 K 14
4P	PLATE PULL  PLATE TRIM PULL TRIM	01	Exit Only	4 P 01
		02	Dummy Pull Trim	4 P 02
		03	Night Latch	4 P 03
4GW	GRIP PULL 	02	Dummy Trim (Grip Pull only)	4 GW 02
		03	Night Latch	4 GW 03
		05	Classroom w/Thumb Piece	4 GW 05
		15	Passage w/Thumb Piece	4 GW 15

ANSI Trim Functions

ANSI FUNCTION	DESCRIPTION
01	Exit only, no trim or blank escutcheon.
02	Entrance by trim when actuating bar is locked down (dummy trim).
03	Entrance by trim when latch is released by key. Key removable only when locked (night latch).
05	Entrance by thumb piece. Key locks or unlocks thumb piece (classroom thumb piece).
08	Entrance by knob or lever. Key locks or unlocks knob or lever (classroom knob/lever).
09	Entrance by knob or lever only when released by key. Key removable when locked.
14	Entrance by trim when latch bolt is released by knob or lever. Always active, no cylinder (passage knob/lever).
15	Entrance by trim when latchbolt is released by thumb piece. Always active, no cylinder (passage thumb piece).

*All functions not available in every trim style

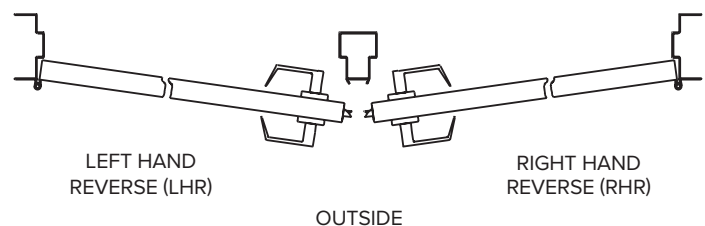
Finishes

CODE	TYPE	DESCRIPTION
605 (US3)	Architectural	Bright Brass, Clear Coated
613 (US10B)	Architectural	Oil Rubbed Bronze, No Coating
626 (US26D)	Architectural	Satin Chromium Plated, No Coating
630 (US32D)	Architectural	Satin Stainless Steel, No Coating
689 (US28)	Color	Aluminum
695 (None)	Color	Dark Duranodic Bronze

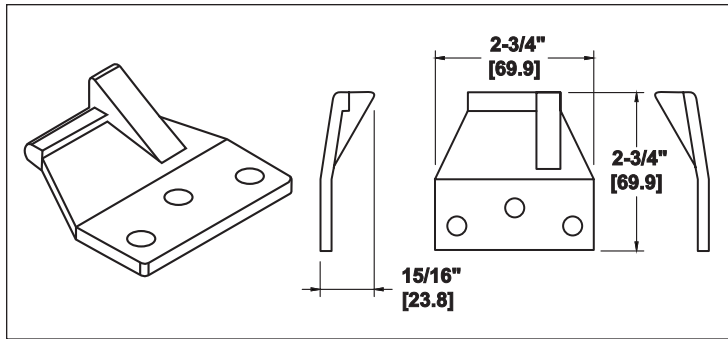
*All finishes not available in every trim style

Handing

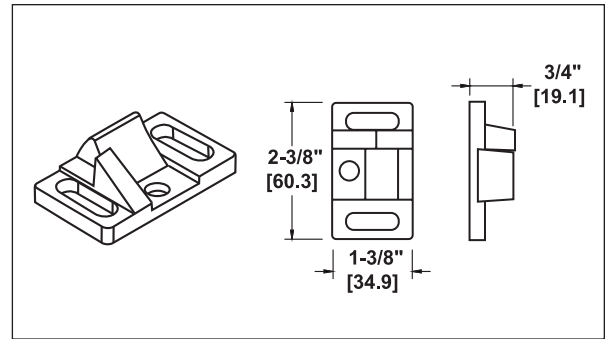
Out Swing Door



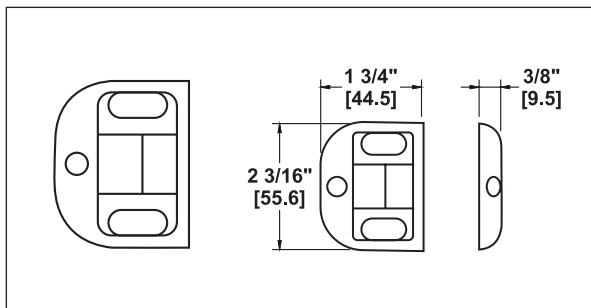
4200 Trims



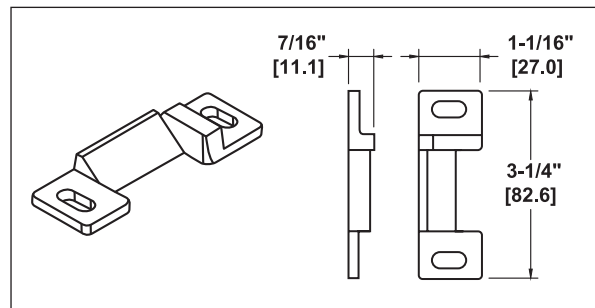
429019 DOUBLE DOOR STRIKE



429005 SVR TOP STRIKE W/2 SHIMS PANIC AND FIRE



429006 SVR BOTTOM STRIKE W/2 SHIMS PANIC AND FIRE



429036 RIM STD. (2-3/4" BACKSET) FIRE & PANIC