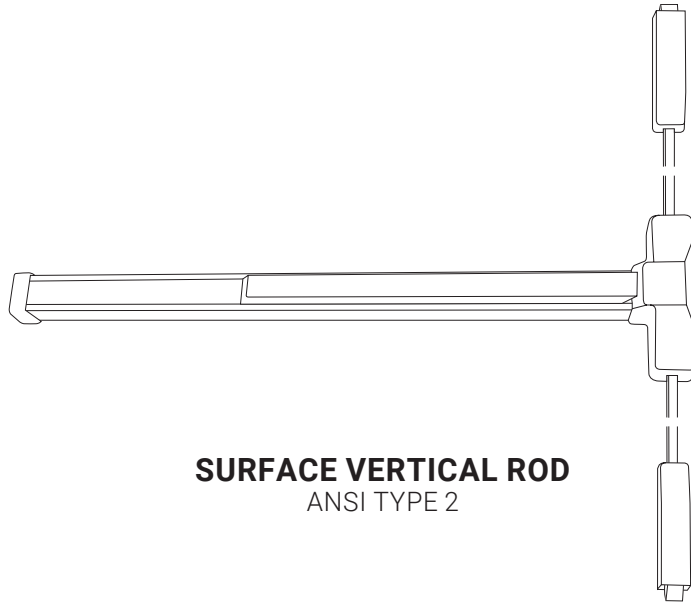


4200V Series

Commercial Wide Stile Surface Vertical Rod Exit Device

Architectural Submittal Sheet



SURFACE VERTICAL ROD
ANSI TYPE 2



ADA COMPLIANT

Specifications

CHASSIS:	• Corrosion resistant plated steel
RAIL:	• Heavy gauge steel or stainless steel
LATCH:	• SURFACE VERTICAL ROD (V) – Top Latch-Pullman with dead latching 5/8" throw • Bottom Latch- Pullman with 5/8" throw, held retracted during door swing
BACKSET:	• 2-3/4" Backset Compatible with 161 prep
HAND:	• Device is non-handed
DOGGING:	• Hex key dogging standard • Dogging not available on fire listed devices
MINIMUM STILE WIDTH:	• 4-1/4" for device (exit only) • Minimum stile requirements with trim varies by trim type
DOOR THICKNESS:	• 1-3/4" standard
DOOR WIDTH:	• Standard for 3 ft doors, option available for doors up to 4'
FINISHES:	• 605 – Polished Brass, 626 – Satin Chrome, 630 – Satin Stainless Steel, 689 – Aluminum, 695 (N/A)- Duro Bronze, 696 – Gold • Optional Anti Microbial Coating available on 626 and 630 finishes only
FASTENERS:	• Includes machine screws and wood screws • Sex nuts supplied with all Fire Listed devices
VERTICAL RODS:	• Stock for 7' doors standard. Extension rods available for doors up to 10'.
WARRANTY:	• Five (5) year limited warranty
CERTIFICATIONS, LISTINGS, COMPLIANCES:	• UL 305 listed for "Panic", UL listed for "Fire Exit Hardware" labeled for up to 1-1/2 hours, 3'0" x 7'0" Max Size • Complies with ADA (Americans with Disabilities Act) and ICC/ANSI 117.1 for Accessible and Usable Buildings • TAA compliant. Country of origin: Taiwan

4200V Series

Exit Devices

CODE	DESCRIPTION
4200V	Surface vertical rod, UL panic listed, hex key dogging, 3'0" door
4200VF	Surface vertical rod, UL fire listed, no dogging, 3'0" door
4200VA	Surface vertical rod, UL panic listed, hex key dogging, 4'0" door

Finishes



605 (US3)
Bright Brass



626 (US26D)
Satin Chromium



630 (US32D)
Satin Stainless
Steel

4200V Series

Wide Stile Trim



Levers



Philadelphia

Finishes



613 (US10B) Oil Rubbed Bronze 626 (US26D) Satin Chromium



Levers



Philadelphia

Finishes



605 (US3) Bright Brass 626 (US26D) Satin Chromium 689 (US28) Aluminum 695 Dark Duranodic Bronze



Levers



Philadelphia



Boston



Miami

Finishes



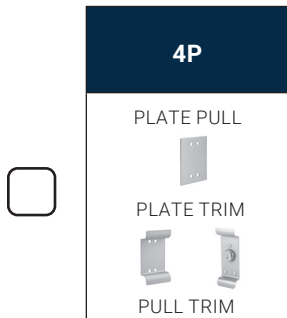
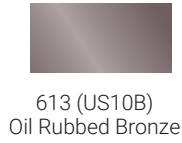
605 (US3) Bright Brass 613 (US10B) Oil Rubbed Bronze 626 (US26D) Satin Chromium

4200V SERIES

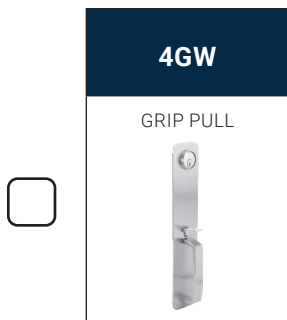
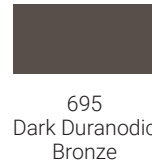
Wide Stile Trim



Finishes



Finishes



Finishes

