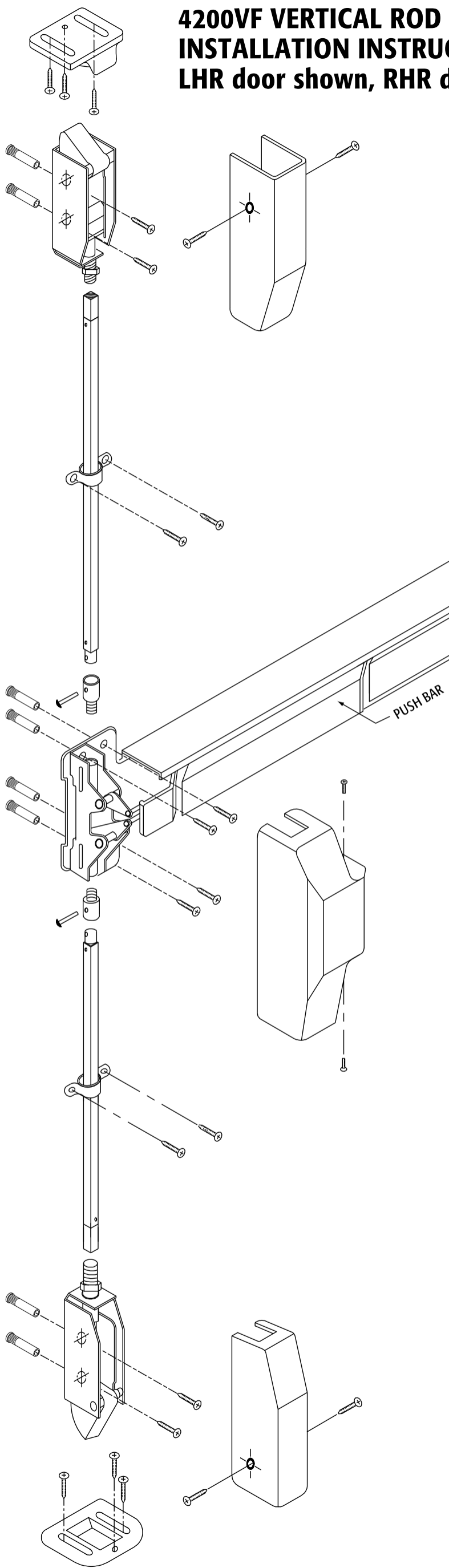


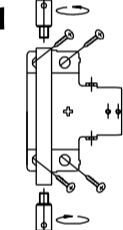
4200VF VERTICAL ROD FIRE RATED EXIT DEVICE-REVERSIBLE

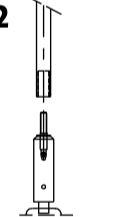
INSTALLATION INSTRUCTIONS

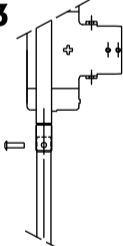
LHR door shown, RHR door opposite

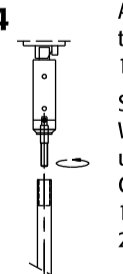


STEPS:

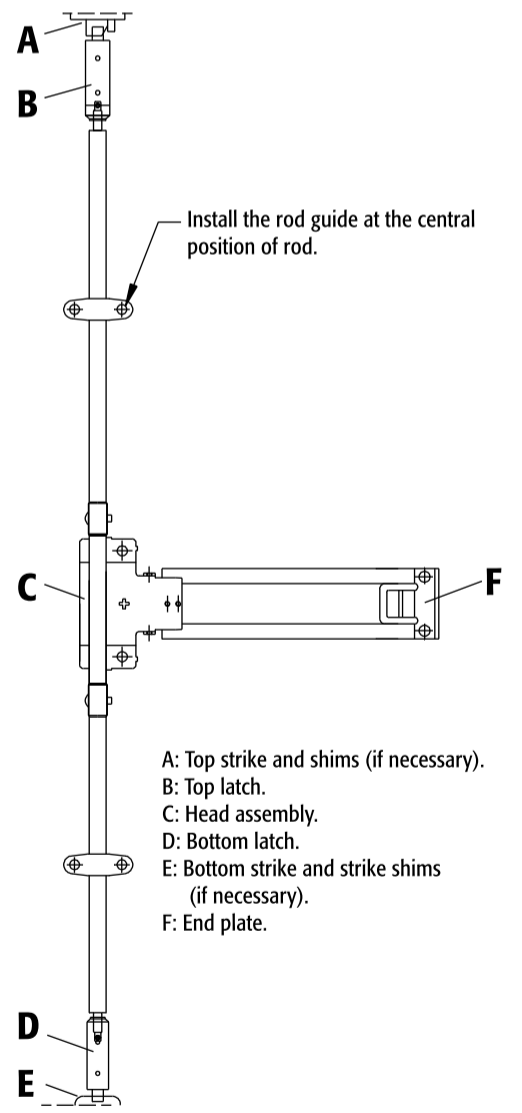
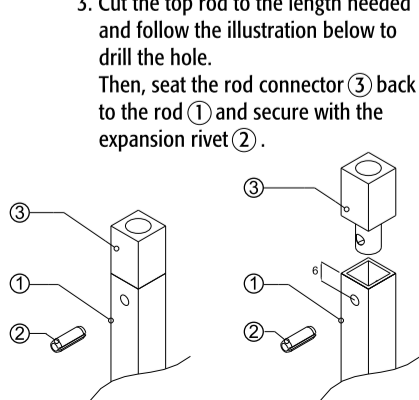
1  Remove the tube adapters then attach the head assembly to the door with 4 screws as shown. Reinstall the tube adapters.

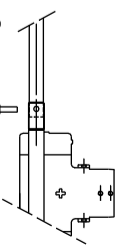
2  Attach the bottom rod (short rod) to the bottom latch and turn it in to approximately 3/4" (19 mm) engagement.

3  Attach the bottom tube to the tube adapter on the head assembly and secure with a hollow rivet.

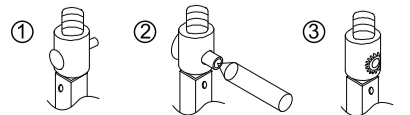
4  Attach the top tube (long tube) to the top latch and turn it in to approximately 1-1/8" (28 mm) engagement.

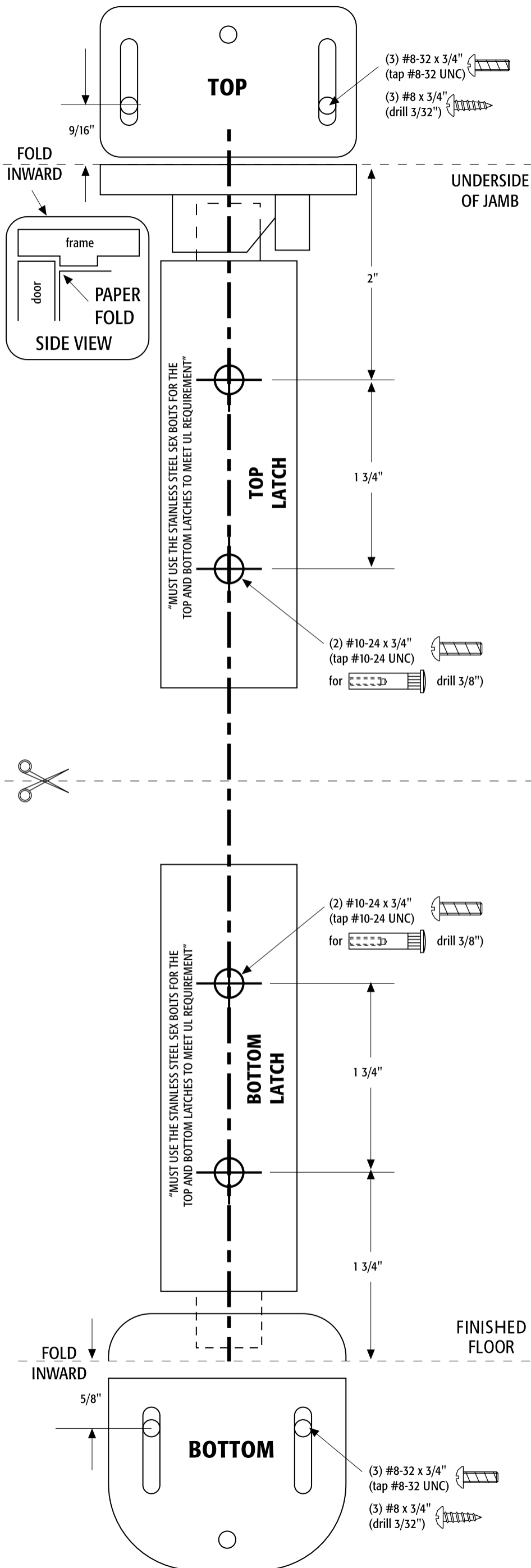
STEPS FOR CUTTING TOP ROD
When a different rod length is needed use instructions below to cut rod.
Cut end of rod that attaches to latch.
1. Remove the expansion rivet ② .
2. Pull the rod connector ③ out of the rod ① .
3. Cut the top rod to the length needed and follow the illustration below to drill the hole.
Then, seat the rod connector ③ back to the rod ① and secure with the expansion rivet ② .



5  Attach the top tube to the tube adapter on the head assembly and secure with a hollow rivet.

STEPS FOR SECURE RIVET
First, seat the round rod connector into the square rod and put the hollow rivet through the hole (as illustration ①). Second, put a cone with a dimension smaller than 1/8" into the hollow rivet (as illustration ②) and riveting the rivet on the rod connector. (as illustration ③)





4200VF TEMPLATE

