

6300CW - PANIC & 6300CFW - FIRE LABELED WOOD DOOR - CVR EXIT DEVICE MODELS

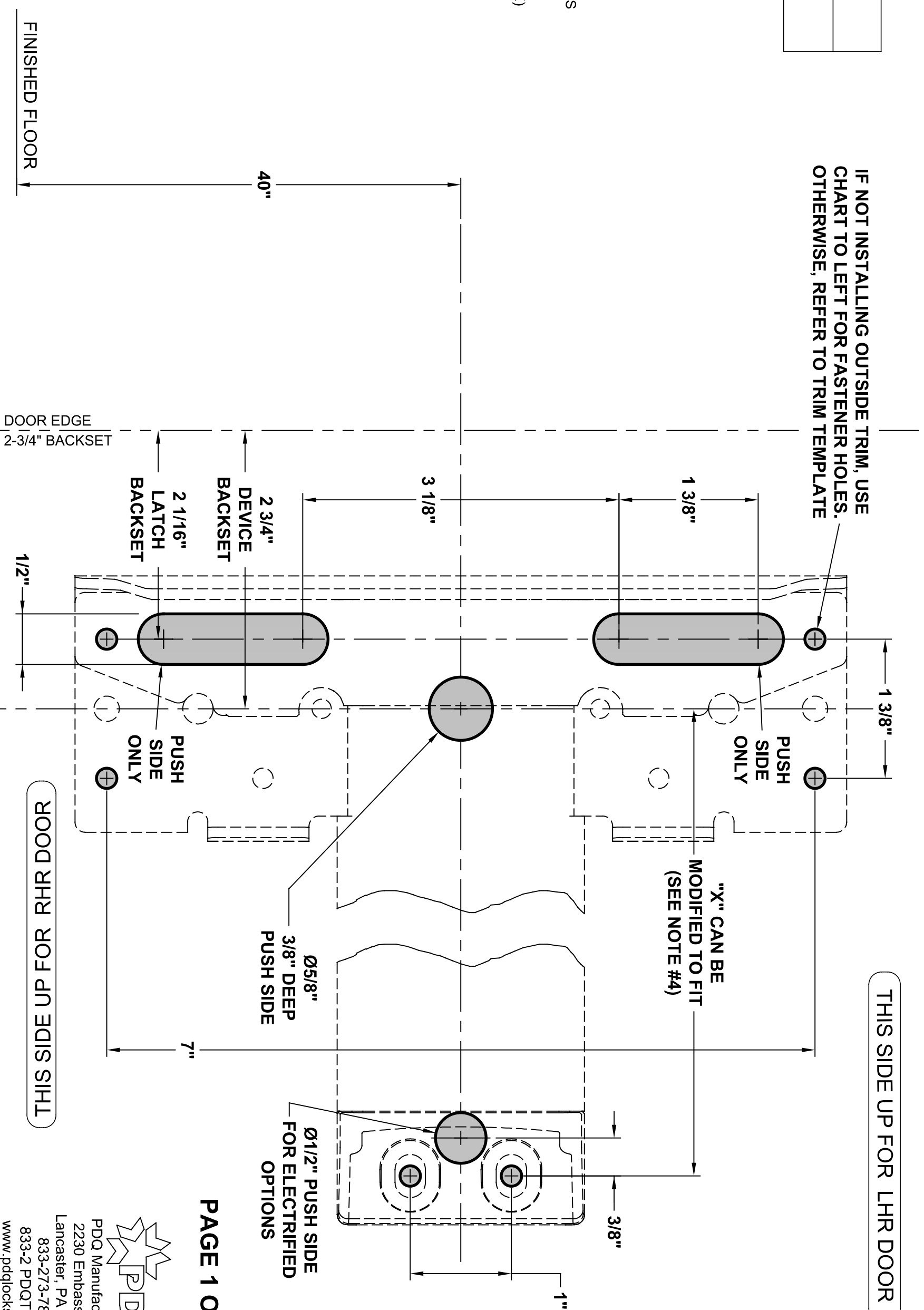
TEMPLATE: 639332
REV. 3 10-11-23

6300 SERIES EXIT DEVICES USING SNB OR SURFACE MOUNT FASTENERS

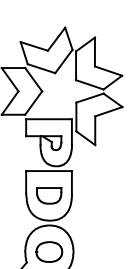
DEVICE FASTENER CHART

WOOD SCREWS: USE 5/32" DRILL
SEX NUTS: USE 3/8" DRILL THRU

IF NOT INSTALLING OUTSIDE TRIM, USE CHART TO LEFT FOR FASTENER HOLES. OTHERWISE, REFER TO TRIM TEMPLATE



- NOTES:
1. VERIFY PRINTED TO SCALE
 2. SEX NUTS MAY BE REQUIRED FOR UNREINFORCED DOORS OR COMPOSITE FIRE DOORS. CONSULT DOOR MANUFACTURERS RECOMMENDATIONS
 3. SEE TRIM TEMPLATE (IF APPLICABLE) FOR RELATED MACHINING DETAILS
 4. DIMENSION "X" SIZED FOR DOOR. REFER TO DEVICE INSTRUCTIONS WHEN CUTTING DOWN FOR NARROWER OPENING
 5. CHECK PDQ WEBSITE FOR MOST RECENT REVISION WWW.PDQLOCKS.COM
 6. MINIMUM STILE WIDTH:
2 3/4" BACKSET: 4 1/8"



CVR TOP/BOTTOM STRIKE

FOR 6300 SERIES EXIT DEVICES

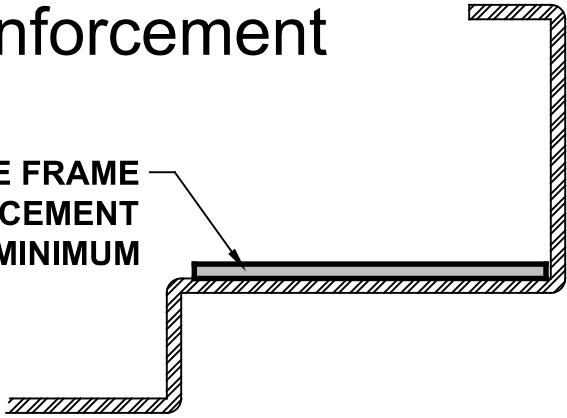
TEMPLATE: 639332
REV. 3 10-11-23

TOP STRIKE

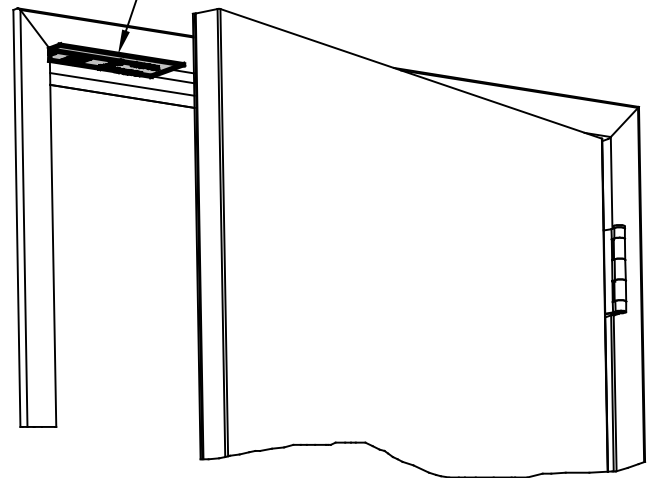
MACHINE SCREWS:
USE #25 OR 5/32" DRILL & #10-24 TAP

Top Strike Frame Reinforcement

14 GAUGE FRAME REINFORCEMENT MINIMUM



CUT TEMPLATE, PLACE ON FRAME AGAINST DOOR STOP

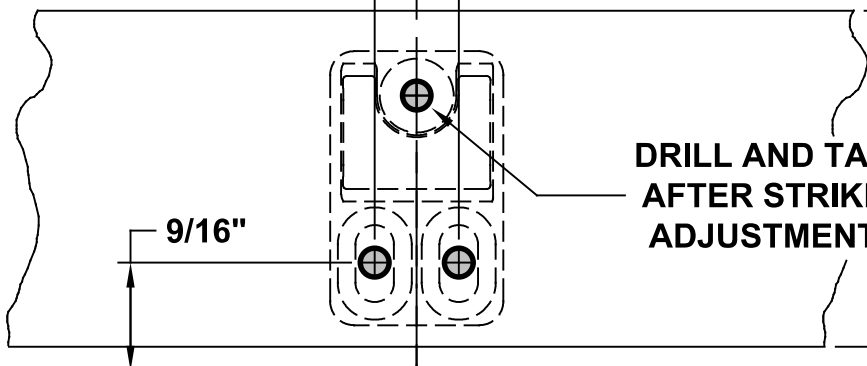


LATCH CENTERLINE

7/16"

PULL SIDE DOOR EDGE

DETACH HERE, PLACE ABOVE DOOR & AGAINST STOP



DRILL AND TAP AFTER STRIKE ADJUSTMENT

Top Strike Frame Prep

PUSH SIDE DOOR EDGE

9/16"

DETACH HERE & PLACE ON FLOOR

PULL SIDE DOOR EDGE

Ø1" 3/4" DEEP

7/8"

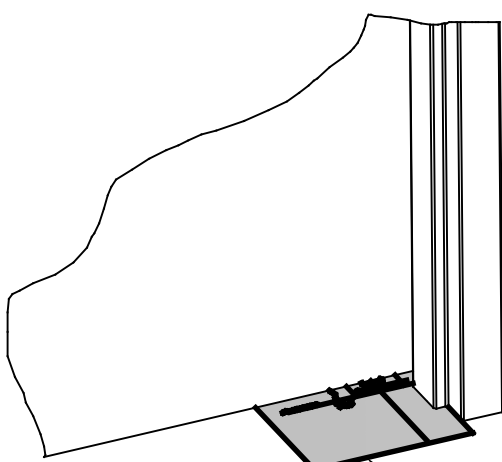
PUSH SIDE DOOR EDGE

Ø1/4 1" DEEP FOR INCLUDED ANCHOR

1 3/4"

Bottom Strike Floor Prep

LATCH CENTERLINE



CUT TEMPLATE PLACE ON FLOOR ALIGNED WITH DOOR

PAGE 3 OF 3



PDQ Manufacturing
2230 Embassy Dr.
Lancaster, PA 17603
833-273-7832
833-2 PDQTECH
www.pdqlocks.com