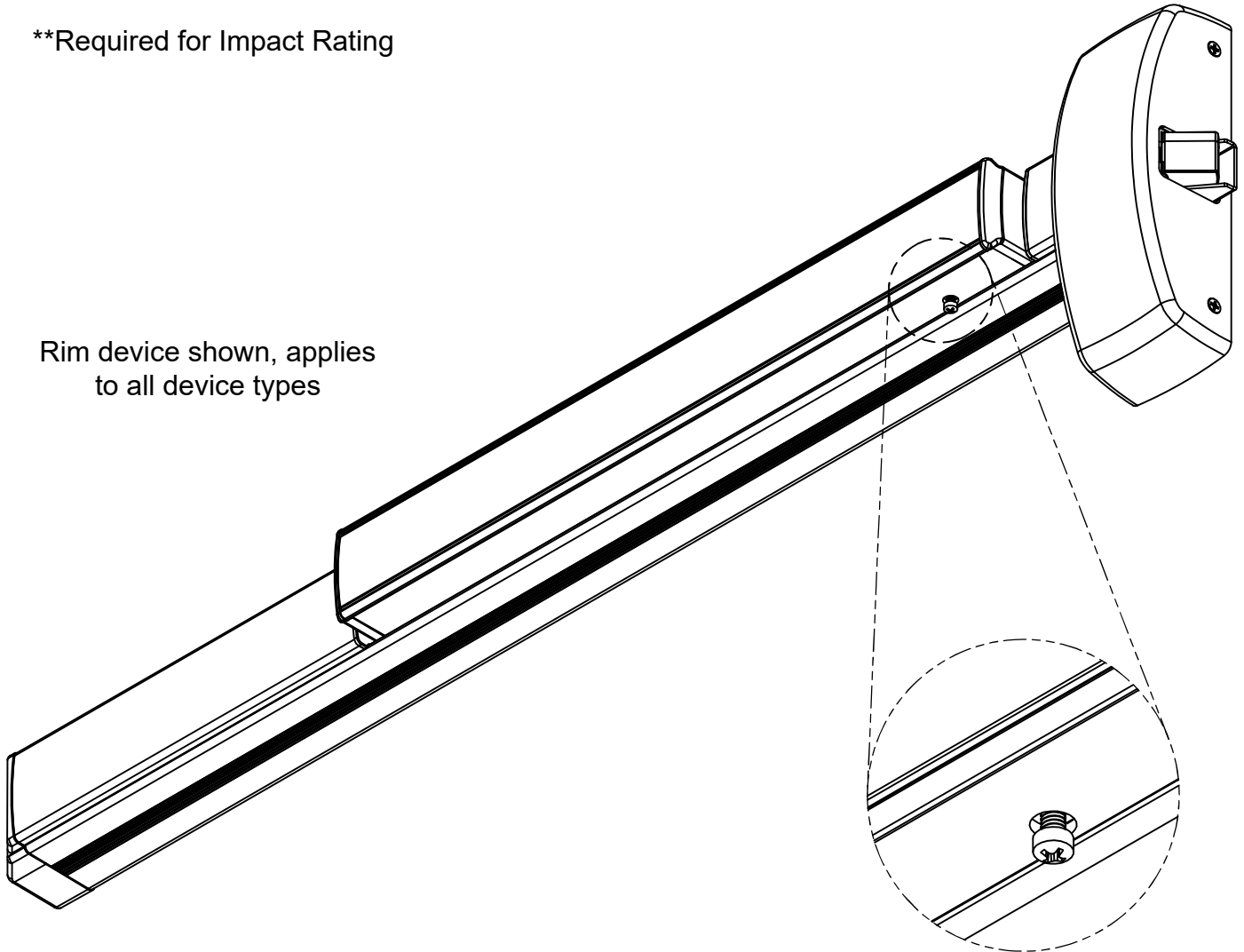


➤ PREPARING FOR HURRICANE/WINDSTORM

To secure door, turn screw counterclockwise using Phillips screwdriver until head is protruding 1/4" from the push bar.**

Warning: This will render exit device inoperable from inside, blocking egress.

**Required for Impact Rating



Rim device shown, applies to all device types

