

6400C & 6400CF CVR EXIT - ALUMINUM DOOR

6400 SERIES EXIT DEVICES

TEMPLATE: 639326

REV. 2 12-27-22

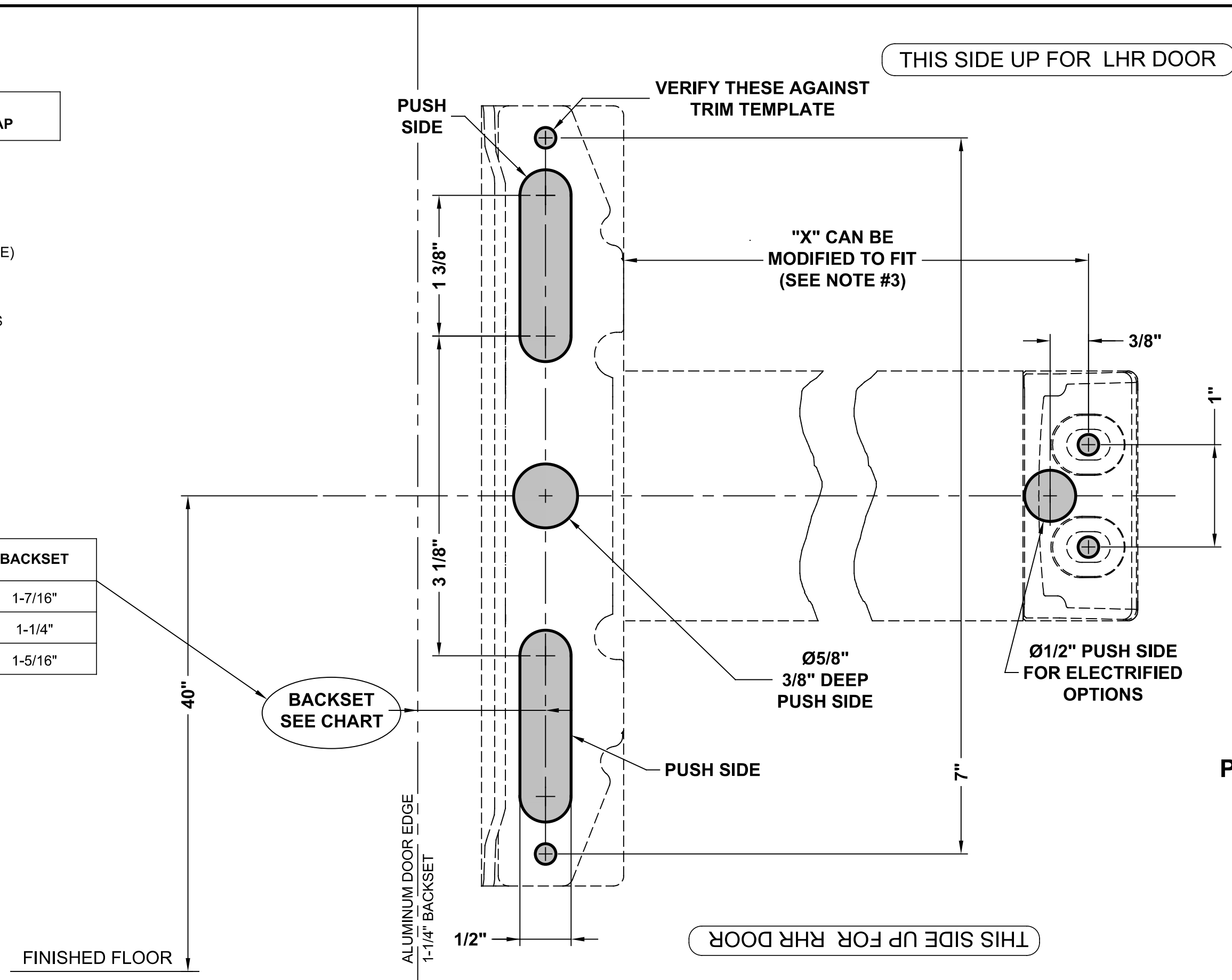
DEVICE

**MACHINE SCREWS:
USE #7 OR 13/64" DRILL AND 1/4-20 TAP**

NOTES:

1. VERIFY PRINTED TO SCALE
2. SEE TRIM TEMPLATE (IF APPLICABLE) FOR RELATED MACHINING DETAILS
3. DIMENSION "X" SIZED FOR DOOR. REFER TO DEVICE INSTRUCTIONS WHEN CUTTING DOWN FOR NARROWER OPENING
4. CHECK PDQ WEBSITE FOR MOST RECENT REVISION WWW.PDQLOCKS.COM
5. MINIMUM STILE WIDTH: 2-1/8"

APPLICATION	BACKSET
3-1/2"+ Stile	1-7/16"
2-1/8" Stile Double Door	1-1/4"
2-1/8" Stile Single Door	1-5/16"



PAGE 1 OF 3

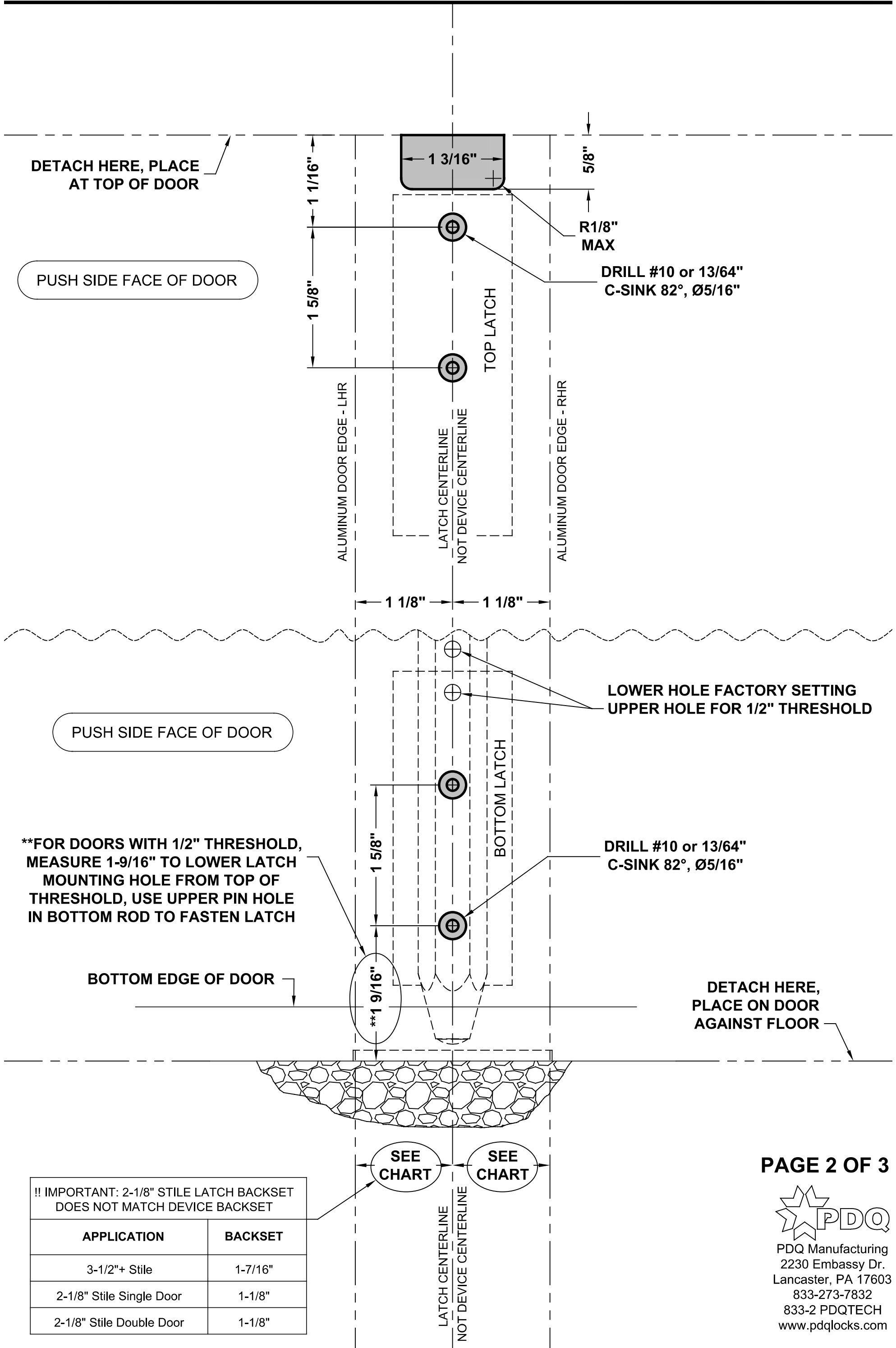


PDQ Manufacturing
2230 Embassy Dr.
Lancaster, PA 17603
833-273-7832
833-2 PDQTECH
www.pdqlocks.com

CVR LATCH - ALUMINUM DOOR

FOR 6400 SERIES EXIT DEVICES

TEMPLATE: 639326
REV. 2 12-27-22



!! IMPORTANT: 2-1/8" STILE LATCH BACKSET DOES NOT MATCH DEVICE BACKSET

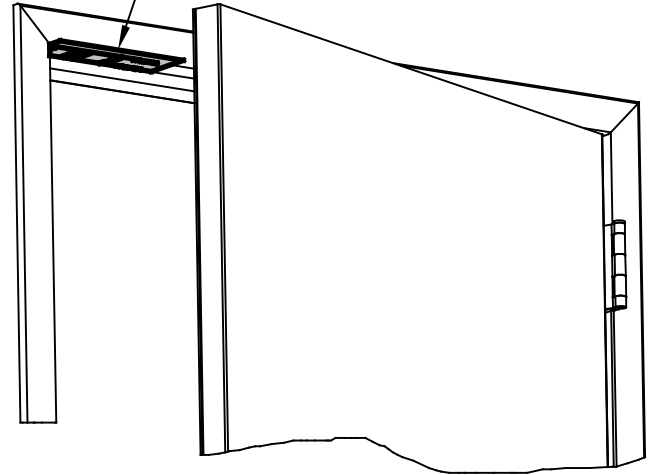
APPLICATION	BACKSET
3-1/2"+ Stile	1-7/16"
2-1/8" Stile Single Door	1-1/8"
2-1/8" Stile Double Door	1-1/8"

TOP STRIKE

MACHINE SCREWS:
USE #25 OR 5/32" DRILL & #10-24 TAP

Top Strike Frame Prep

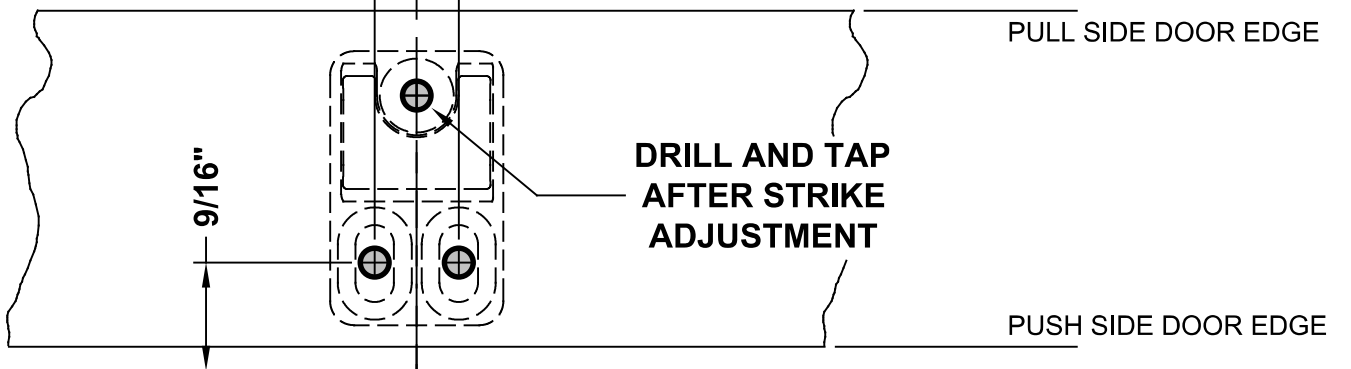
CUT TEMPLATE,
PLACE ON FRAME
AGAINST DOOR STOP



LATCH CENTERLINE
NOT DEVICE CENTERLINE

7/16"

DETACH HERE, PLACE
ABOVE DOOR &
AGAINST STOP

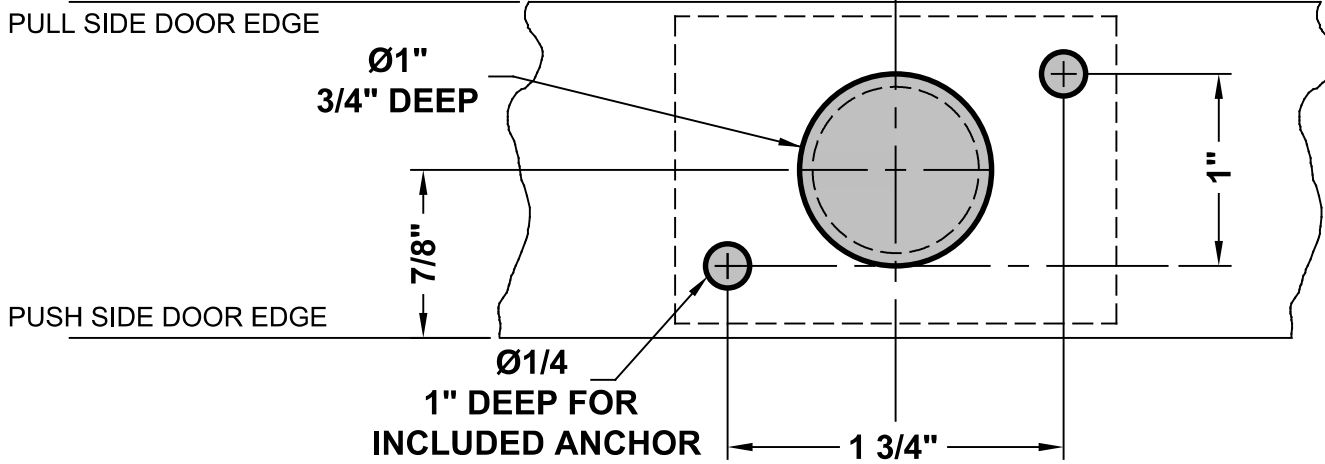


PULL SIDE DOOR EDGE

DRILL AND TAP
AFTER STRIKE
ADJUSTMENT

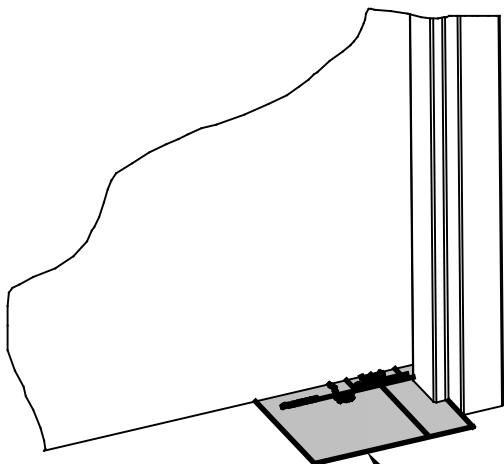
PUSH SIDE DOOR EDGE

DETACH HERE &
PLACE ON FLOOR



Bottom Strike Floor Prep

LATCH CENTERLINE
NOT DEVICE CENTERLINE



CUT TEMPLATE
PLACE ON FLOOR
ALIGNED WITH DOOR

