

6400R - PANIC NARROW RIM EXIT DEVICES WITH BLADE STOP STRIKE

TEMPLATE: 639317

REV. 2 12/27/22

6400 SERIES EXIT DEVICES USING SNB OR SURFACE MOUNT FASTENERS

DEVICE

MACHINE SCREWS:
USE #7 OR 13/64" DRILL AND 1/4-20 TAP

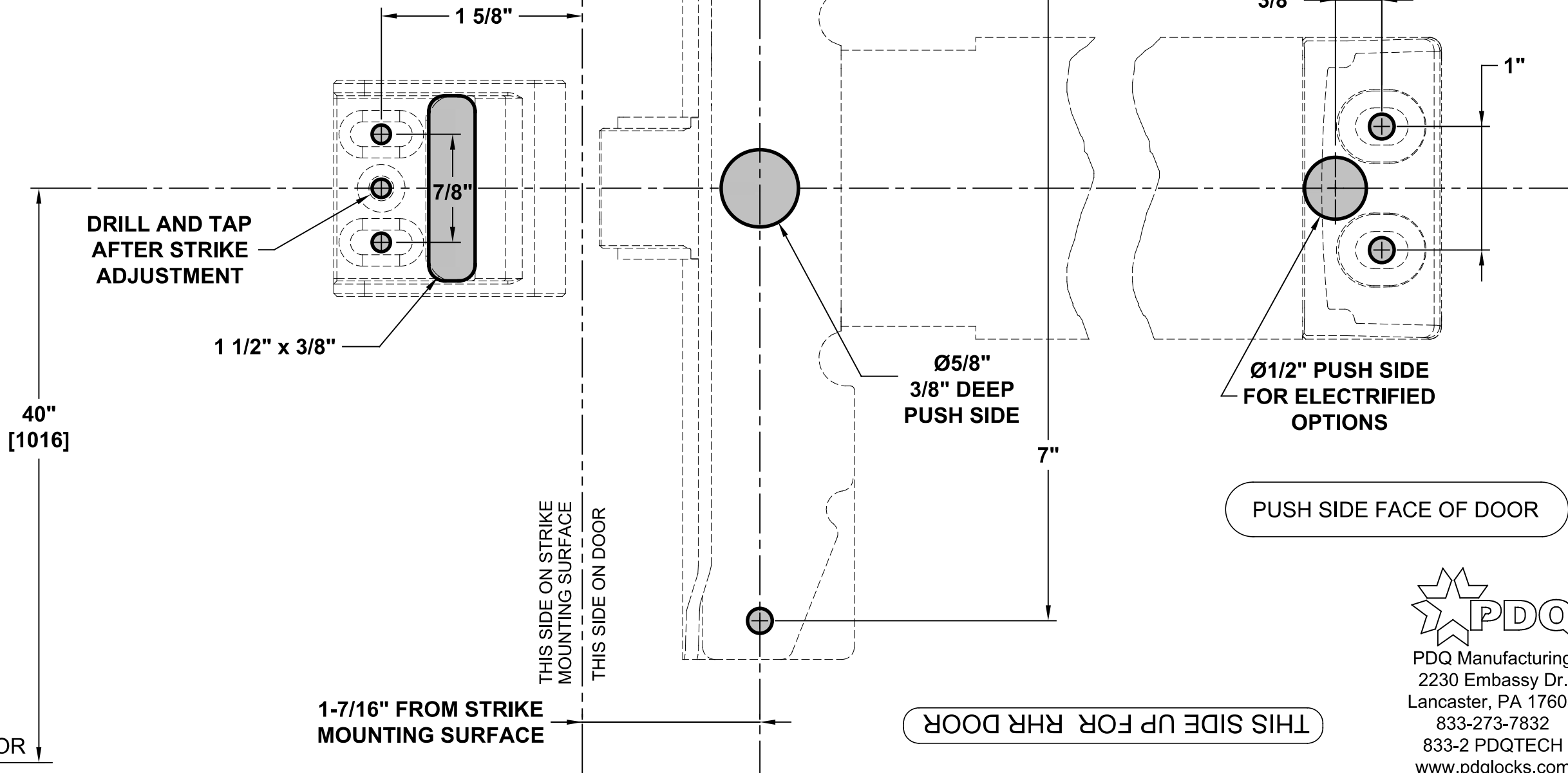
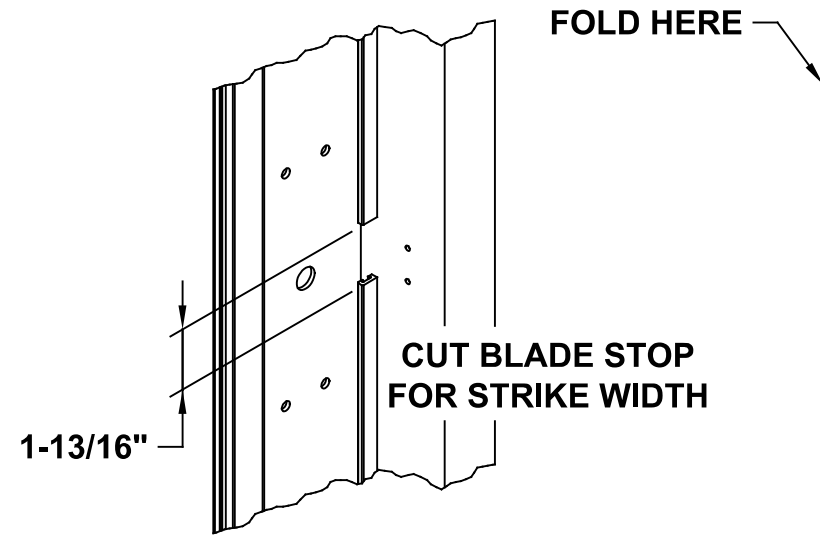
SEX NUTS:
USE 3/8" DRILL PULL SIDE
USE 9/32" DRILL PUSH SIDE

STRIKE

MACHINE SCREWS:
USE #25 OR 5/32" DRILL AND #10-24 TAP

NOTES:

1. VERIFY PRINTED TO SCALE
2. SEX NUTS MAY BE REQUIRED FOR UNREINFORCED DOORS OR COMPOSITE FIRE DOORS. CONSULT DOOR MANUFACTURER'S RECOMMENDATIONS
3. SEE TRIM TEMPLATE (IF APPLICABLE) FOR RELATED MACHINING DETAILS
4. DIMENSION "X" SIZED FOR DOOR. REFER TO DEVICE INSTRUCTIONS WHEN CUTTING DOWN FOR NARROWER OPENING
5. CHECK PDQ WEBSITE FOR MOST RECENT REVISION WWW.PDQLOCKS.COM
6. MINIMUM STILE WIDTH: 2 1/8"



FINISHED FLOOR



PDQ Manufacturing
2230 Embassy Dr.
Lancaster, PA 17603
833-273-7832
833-2 PDQTECH
www.pdqlocks.com