

6400V - PANIC & 6400VF - FIRE LABELED SURFACE VERTICAL ROD EXIT DEVICES

6400 SERIES EXIT DEVICES USING SNB OR SURFACE MOUNT FASTENERS

TEMPLATE: 639313
REV. 2 7-7-23

DEVICE

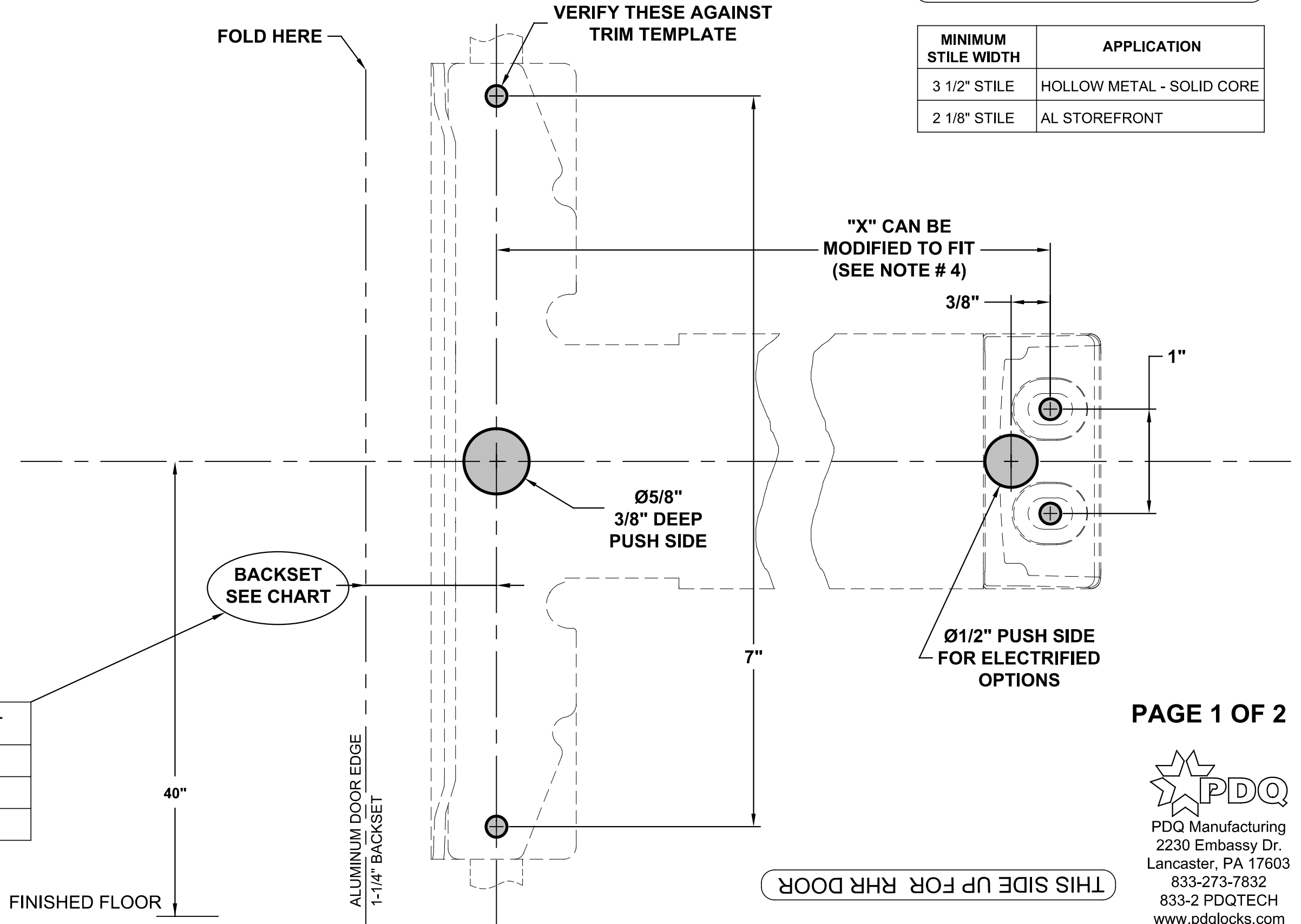
MACHINE SCREWS: USE #7 OR 13/64" DRILL AND 1/4-20 TAP
WOOD SCREWS: USE 5/32" DRILL
SEX NUTS: USE 3/8" DRILL PULL SIDE USE 9/32" DRILL PUSH SIDE

NOTES:

1. VERIFY PRINTED TO SCALE
2. SEX NUTS MAY BE REQUIRED FOR UNREINFORCED DOORS OR COMPOSITE FIRE DOORS. CONSULT DOOR MANUFACTURER'S RECOMMENDATIONS
3. SEE TRIM TEMPLATE (IF APPLICABLE) FOR RELATED MACHINING DETAILS
4. DIMENSION "X" SIZED FOR DOOR. REFER TO DEVICE INSTRUCTIONS WHEN CUTTING DOWN FOR NARROWER OPENING
5. CHECK PDQ WEBSITE FOR MOST RECENT REVISION WWW.PDQLOCKS.COM

THIS SIDE UP FOR LHR DOOR

MINIMUM STILE WIDTH	APPLICATION
3 1/2" STILE	HOLLOW METAL - SOLID CORE
2 1/8" STILE	AL STOREFRONT



APPLICATION	BACKSET
3-1/2"+ Stile	1-7/16"
2-1/8" Stile Double Door	1-1/4"
2-1/8" Stile Single Door	1-5/16"

PAGE 1 OF 2



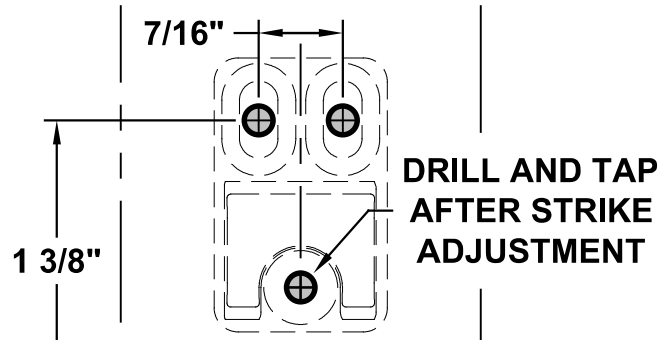
PDQ Manufacturing
2230 Embassy Dr.
Lancaster, PA 17603
833-273-7832
833-2 PDQTECH
www.pdqlocks.com

THIS SIDE UP FOR RHR DOOR

TOP STRIKE

MACHINE SCREWS:
USE #25 OR 5/32" DRILL
AND #10-24 TAP

**FOLD HERE, PLACE
AGAINST DOOR & STOP**

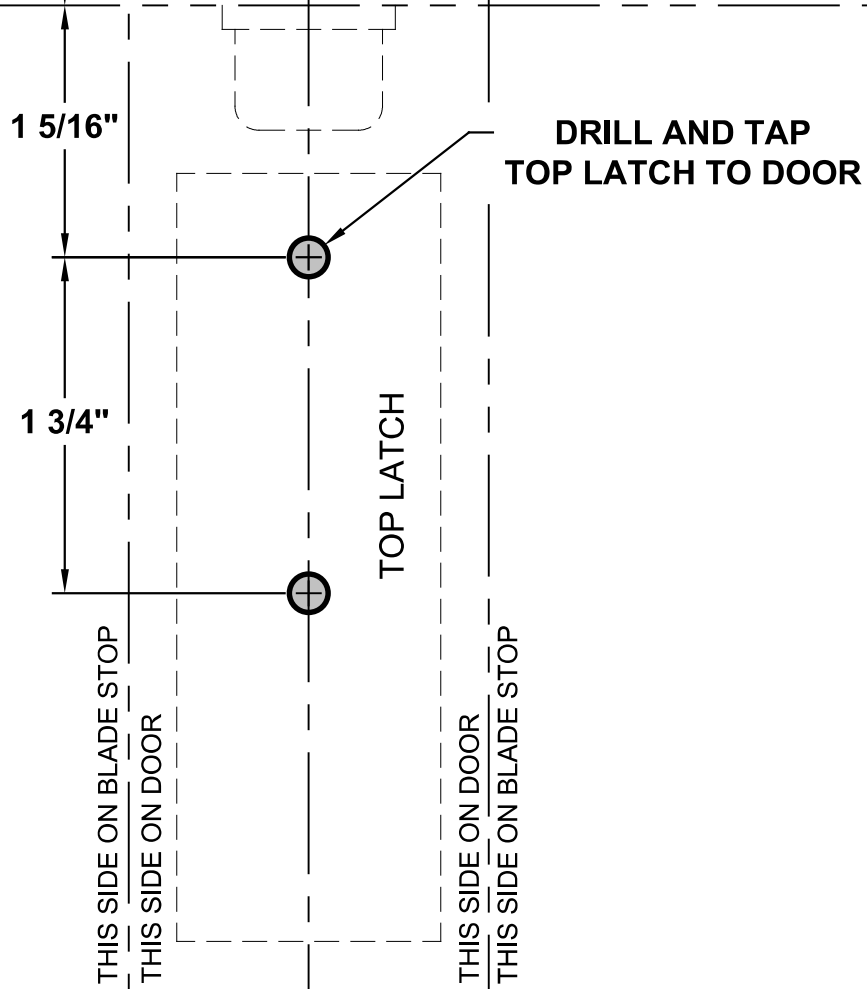


TOP/BOTTOM LATCH TO DOOR

MACHINE SCREWS:
USE #7 OR 13/64" DRILL AND 1/4-20 TAP

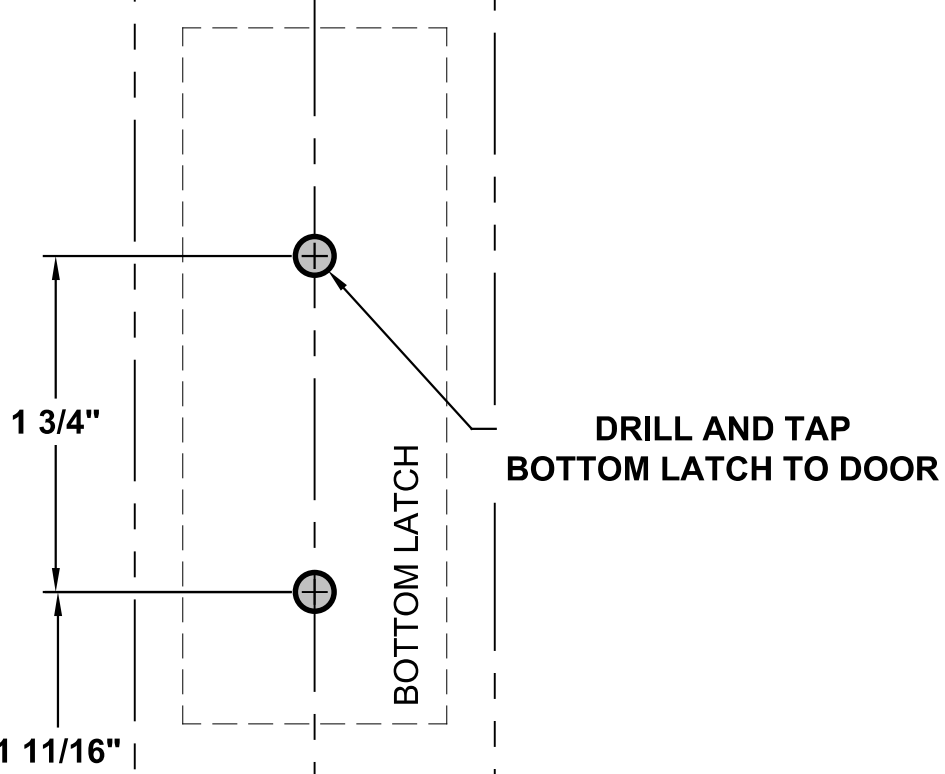
WOOD SCREWS:
USE 5/32" DRILL

SEX NUTS:
USE 3/8" DRILL PULL SIDE
USE 9/32" DRILL PUSH SIDE



PUSH SIDE FACE OF DOOR

BOTTOM EDGE OF DOOR



DOOR EDGE

