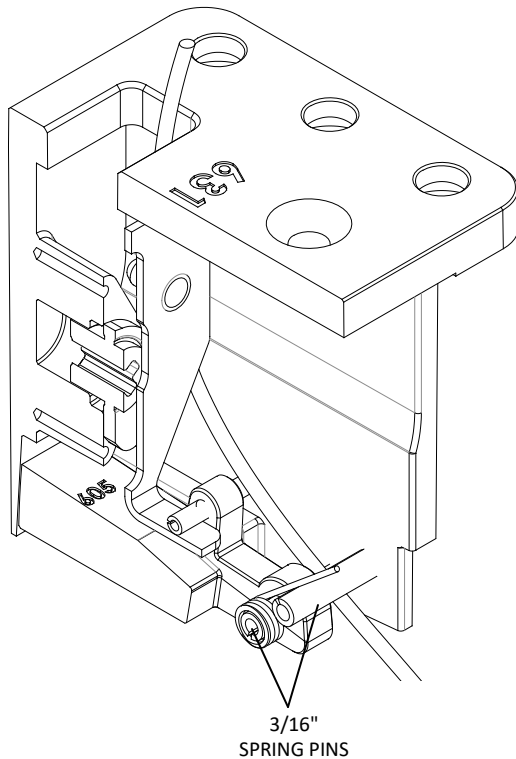


9300 SERIES MULLION ELECTRIFIED OPTION INSTRUCTIONS



Phone: 833-2-PDQTEC | www.pdqlocks.com

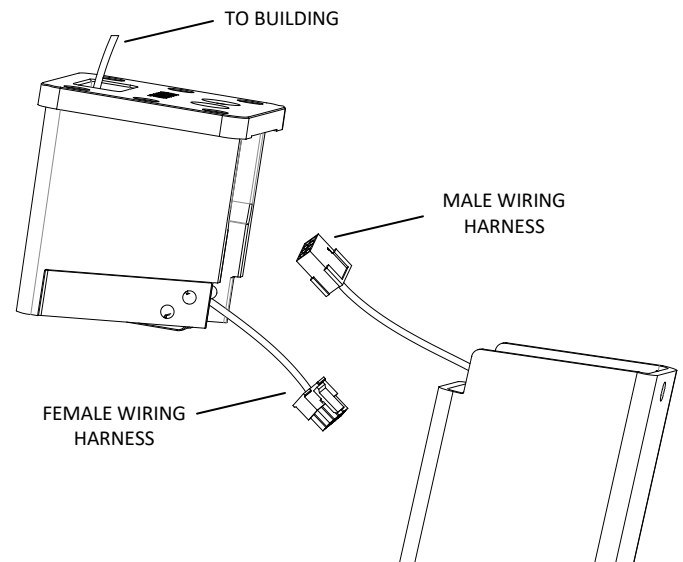


1. ROUTE FEMALE HARNESS THROUGH TOP BRACKET

- Ensure wire tubing routes through hole in top of bracket and through the two 3/16" spring pins
- Wire from building to be connected by butt connector, supplied by installer, to female harness
- Follow mullion installation instructions

2. INSTALL MULLION TUBE

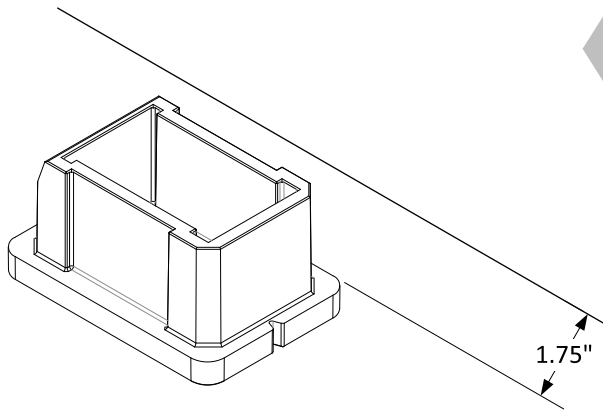
- Carefully connect wire from female harness to bracket and push tube onto top bracket – allowing any extra wire to land in tube
- Male wiring harness to be connected to additional wire (supplied by installer) to reach strikes



9300 SERIES MULLION STORAGE KIT INSTRUCTIONS



Phone: 833-2-PDQTEC | www.pdqlocks.com



1. INSTALL BOTTOM BRACKET

- Install bottom bracket parallel with wall, 1.75" from the edge
- Angled face to be on the same side as the back of the mullion to allow for removal of tube

1. INSTALL TOP BRACKET

- Place the mullion tube (not included in storage kit) on top of the bottom bracket
- Place the top bracket on top of the tube
- Hold the mullion plumb, then mark for two holes on the wall
- Drill holes at the marked location for appropriate wall condition (fasteners not supplied)
- Remove mullion from storage bracket with screwdriver

