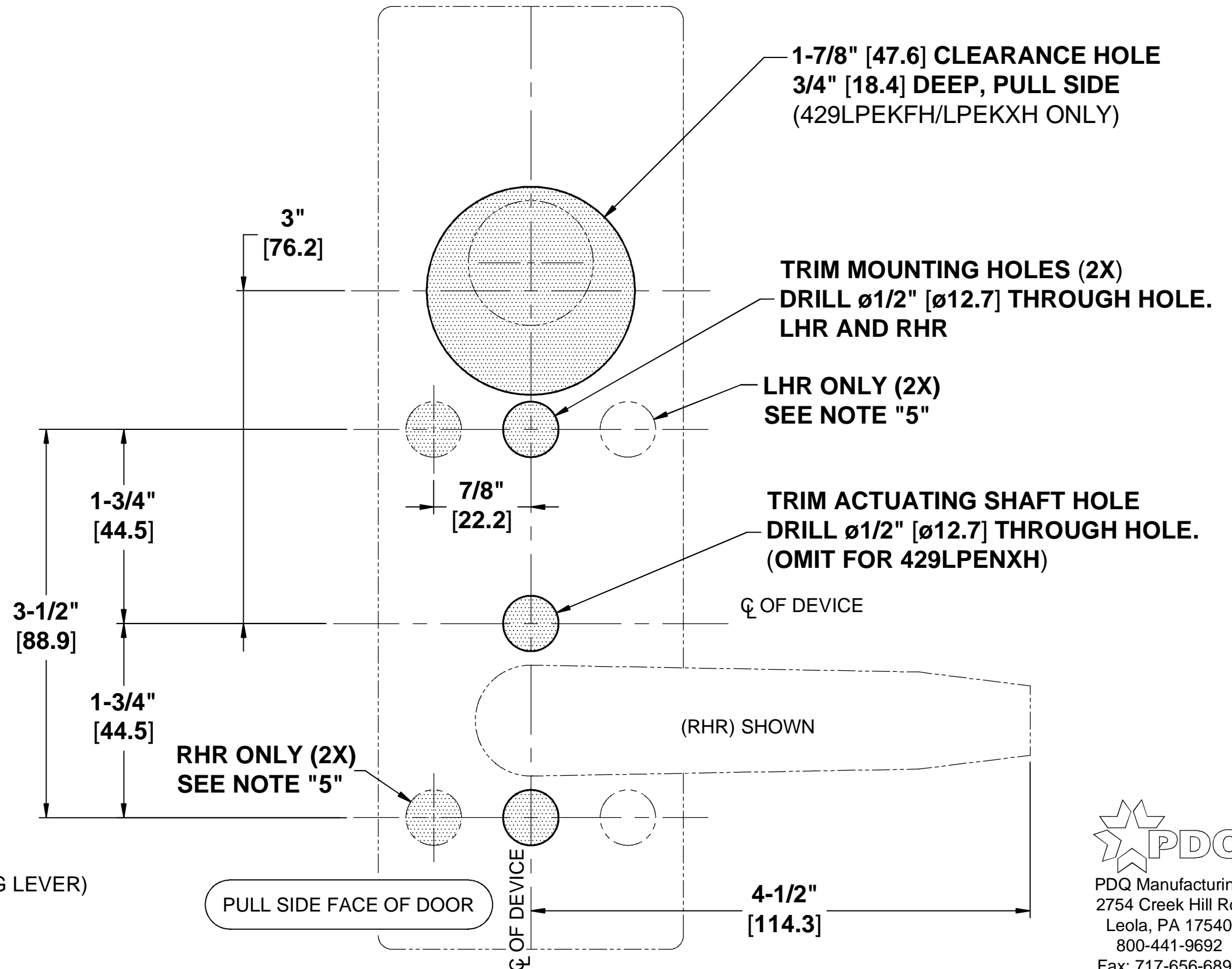


4EW02 / 4EW08 / 4EW09 / 4EW14 ESCUTCHEON TRIM MODELS (WIDE) FOR 4200 SERIES EXIT DEVICES

TEMPLATE: 429304
REV. 1 7-15-15

NOTES:

1. VERIFY PRINTED TO SCALE.
2. SEE EXIT DEVICE TEMPLATE FOR BACKSET DIMENSIONS AND REFERENCE POINTS.
3. DIMENSIONS IN **INCHES**
[MM].
4. RHR DOOR SHOWN. SEE NOTE "5"
5. TWO ADDITIONAL TRIM HOLES VARY FOR RHR (SHOWN SHADED) VS LHR (UNSHADED) DOORS. CHECK DOOR HAND & MACHINE REQUIRED 2 HOLES ACCORDING TO DOOR HAND.
6. INSTALL & SECURE MORTISE CYLINDER FURNISHED - 429LPEKFBH / LPEKXH ONLY.
7. HEIGHT OF ESCUTCHEON = 8-1/2" [215.9]
8. WIDTH OF ESCUTCHEON = 2-3/4" [69.9]
9. THICKNESS OF ESCUTCHEON (NOT INCLUDING LEVER) = 13/16" [20.6]
10. ALWAYS CHECK PDQ WEBSITE FOR MOST RECENT REVISION AT WWW.PDQLOCKS.COM



PDQ Manufacturing
2754 Creek Hill Rd.
Leola, PA 17540
800-441-9692
Fax: 717-656-6892
www.pdqlocks.com