

429 SERIES HEAVY DUTY SECTIONAL TRIM MODELS (SEE BELOW)

FOR 4200 SERIES EXIT DEVICES

TEMPLATE: 429306,
REV. 0 5-10-12

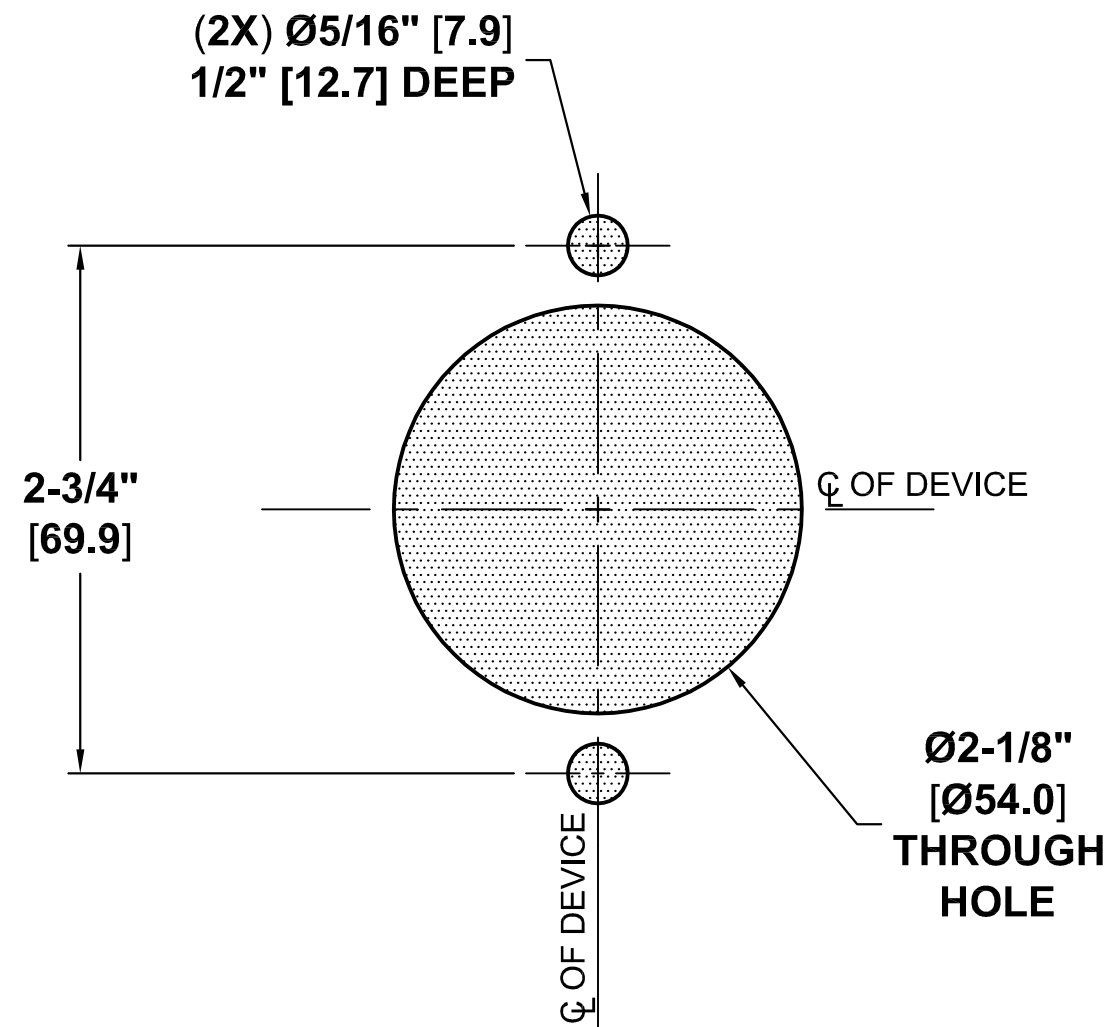
FOR TRIM MODELS:

429LPSH / LPSH-IC

429LPKH / LPKH-IC

429LPNH

429LPXH



NOTES:

1. VERIFY PRINTED TO SCALE.
2. DIMENSIONS IN **INCHES** [MM] .
3. SEE EXIT DEVICE TEMPLATE FOR BACKSET DIMENSIONS AND REFERENCE POINTS.
4. SEX NUTS CONFLICT WITH SECTIONAL TRIM (PULL SIDE OF DOOR). IN CASES WHERE THROUGH BOLTING IS REQUIRED, USE ESCUTCHEON TRIM.
5. ALWAYS CHECK PDQ WEBSITE FOR MOST RECENT REVISION AT WWW.PDQLOCKS.COM



PDQ Manufacturing
2754 Creek Hill Rd.
Leola, PA 17540
800-441-9692
Fax: 717-656-6892
www.pdqlocks.com