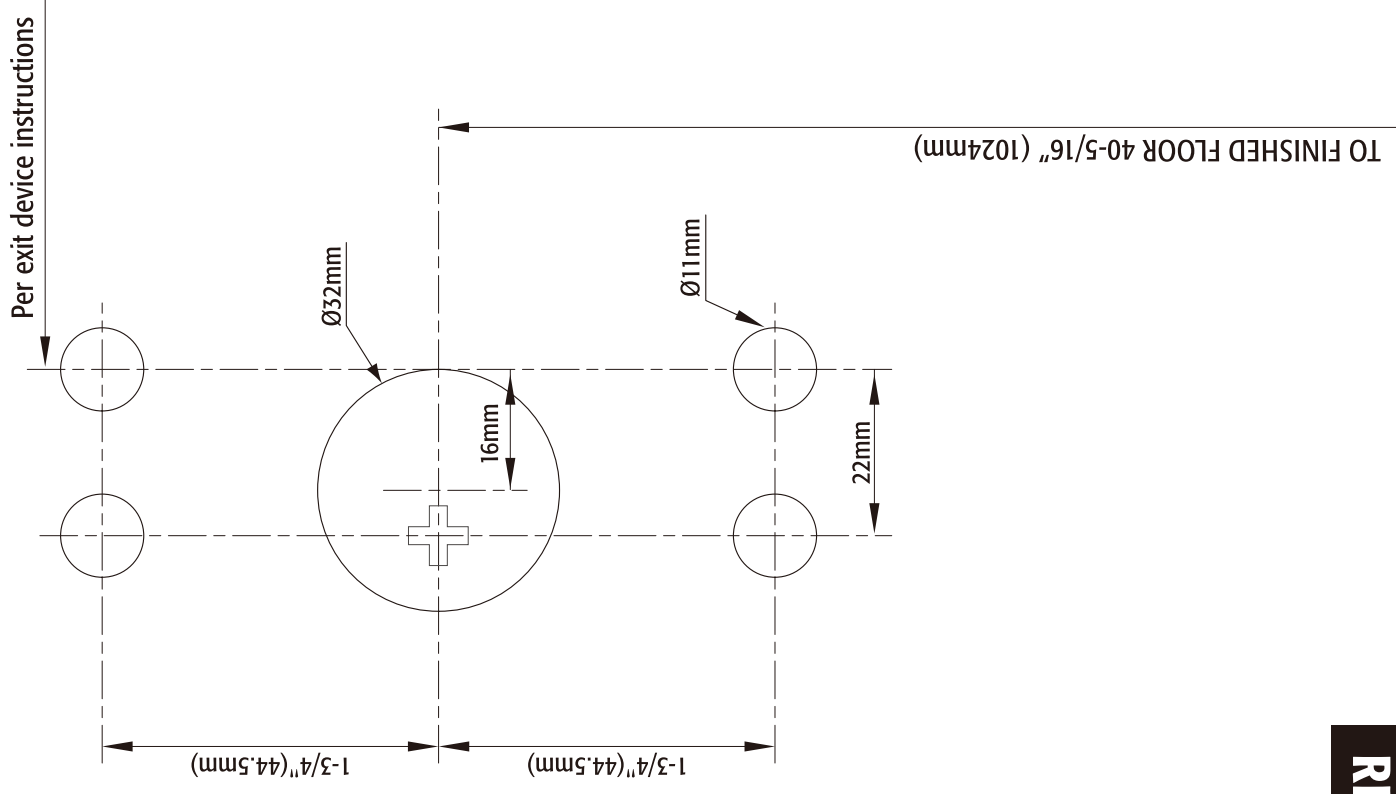


VERIFY PRINTED TO SCALE

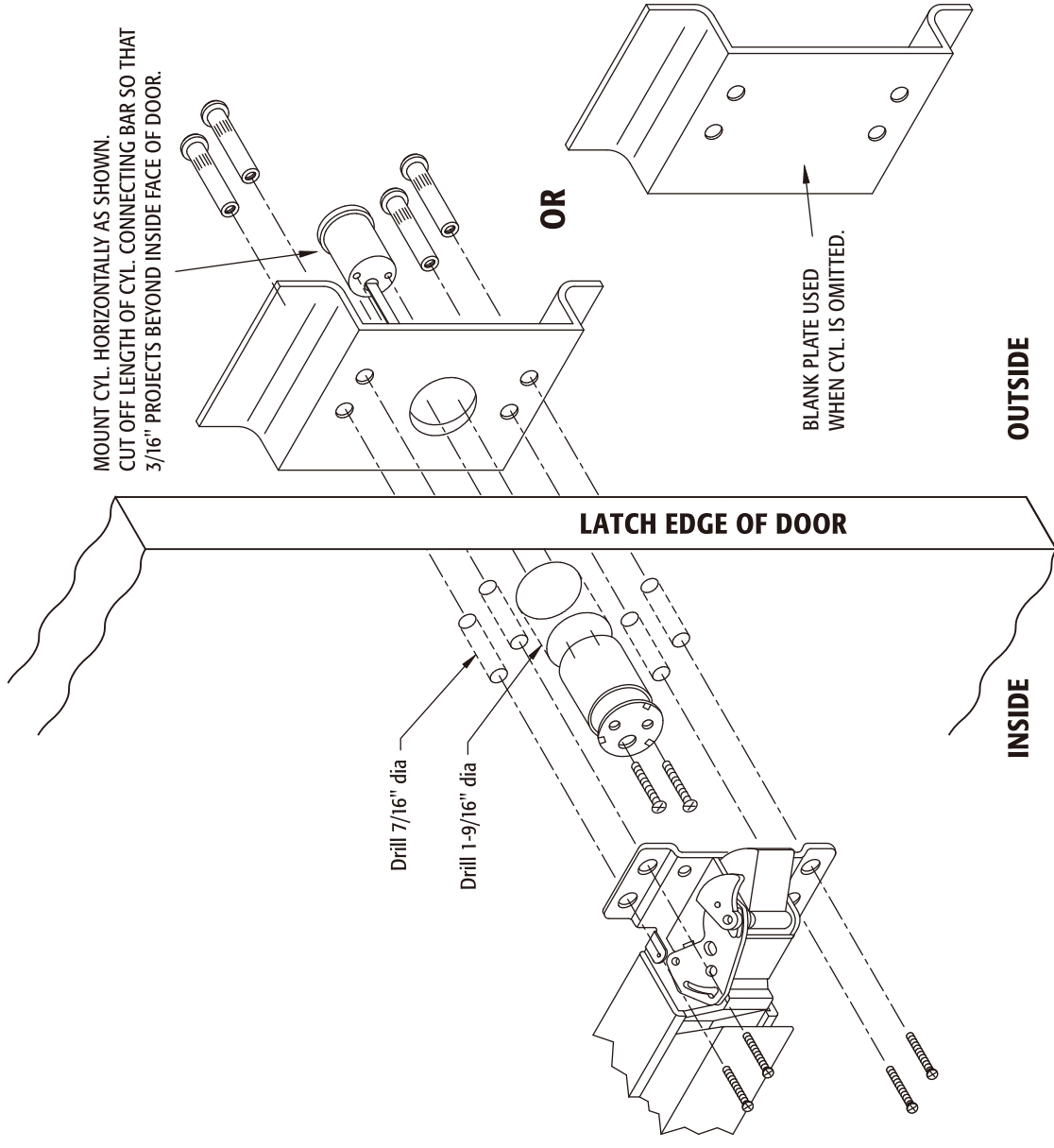
429PUK / 429PUN, 06/10
E00-00000U012
09/03-00

EDGE OF DOOR



LHR

RHR



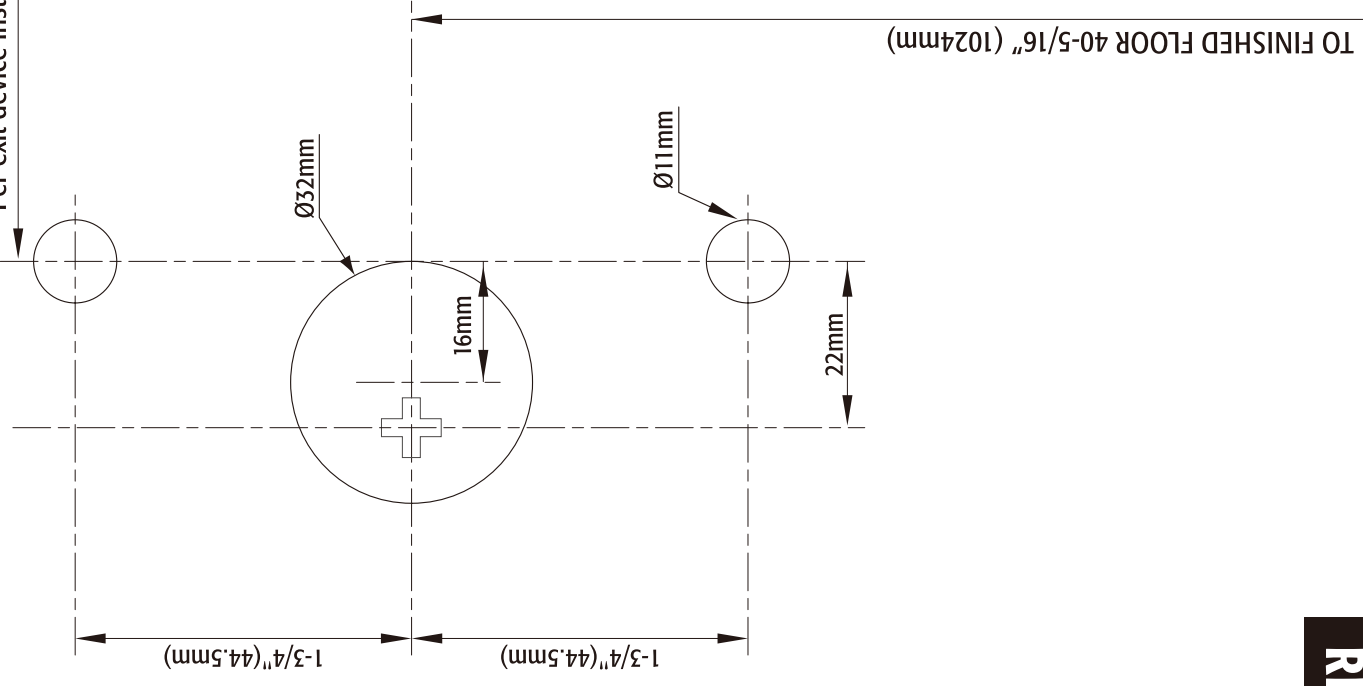
VERIFY PRINTED TO SCALE

429PUK / 429PUN, 06/10

LHR

EDGE OF DOOR

Per exit device instructions



RHR

