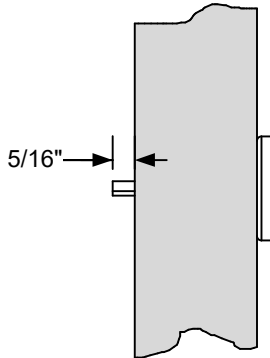


6300 Wide Device 6C03 – Cylinder Only Installation Instruction



Phone: 833-2-PDQTEC | www.pdqlocks.com

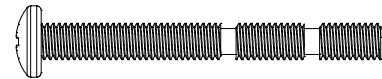


1. SIZE CYLINDER TAILPIECE

- Cut cylinder/housing tailpiece to extend 5/16" past inside door face when installed.

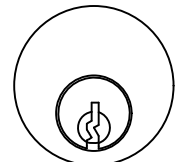
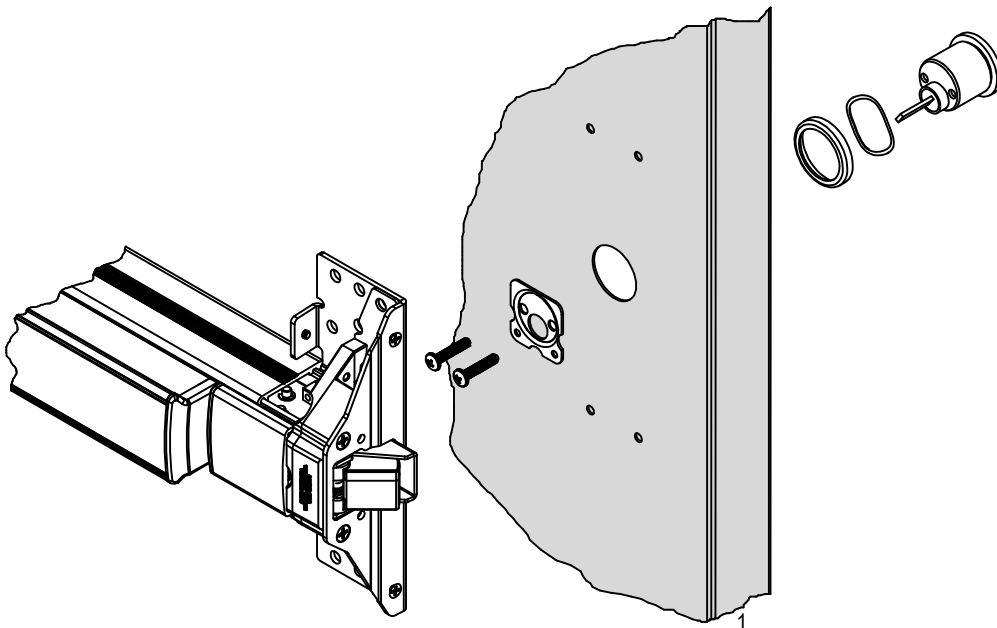
2. SHORTEN SCREWS

- Locate screws included with Rim Cylinder / Housing
- Shorten at appropriate machined break-off length for door thickness

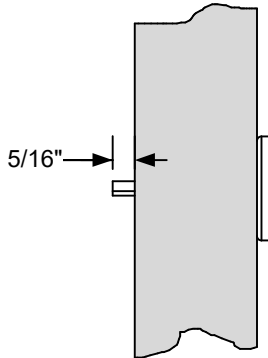


3. ATTACH CYLINDER TO DOOR

- Attach cylinder to door with mounting plate as shown. Be careful not to over tighten mounting plate screws.
- Continue exit device installation as shown in device instruction.



Cylinder Oriented
Vertically

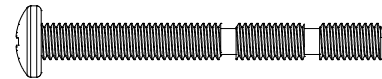


1. SIZE CYLINDER TAILPIECE

- Cut cylinder/housing tailpiece to extend 5/16" past inside door face when installed.

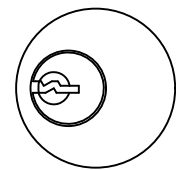
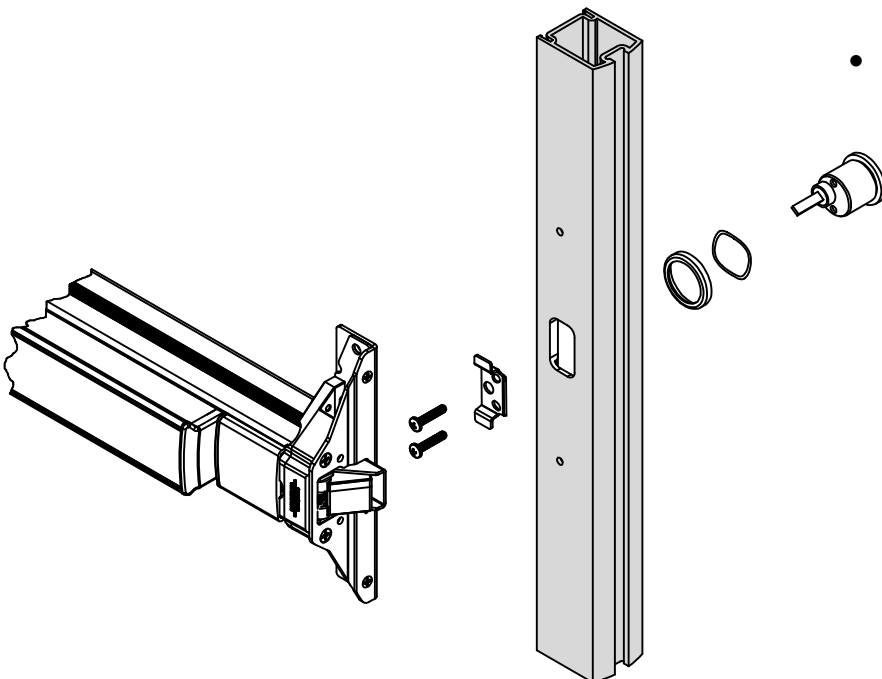
2. SHORTEN SCREWS

- Locate screws included with Rim Cylinder / Housing
- Shorten at appropriate machined break-off length for door thickness



3. ATTACH CYLINDER TO DOOR

- Attach cylinder to door with mounting plate as shown. Be careful not to over tighten mounting plate screws.
- Continue exit device installation as shown in device instruction.



Cylinder Oriented
Horizontally