

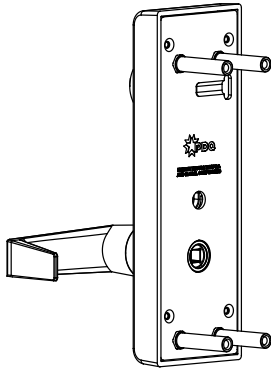
# 6WM/6NM Exit Device Trim

## INSTALLATION INSTRUCTIONS



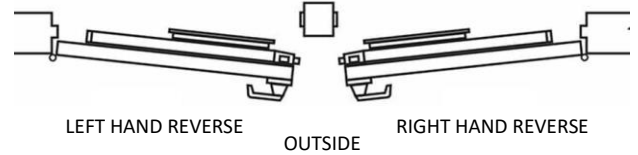
Phone: 833-2-PDQTEC | www.pdqlocks.com

\*6WM SHOWN  
THROUGHOUT



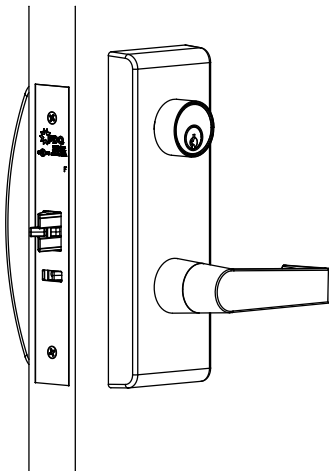
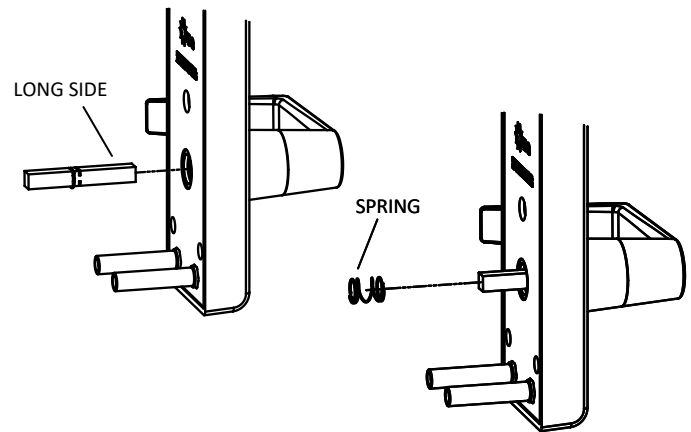
### 1. HAND TRIM

- Adjust lever for proper handing



### 2. INSTALL MORTISE DRIVE SPINDLE

- Install drive spindle in orientation shown
- Place spring over installed drive spindle



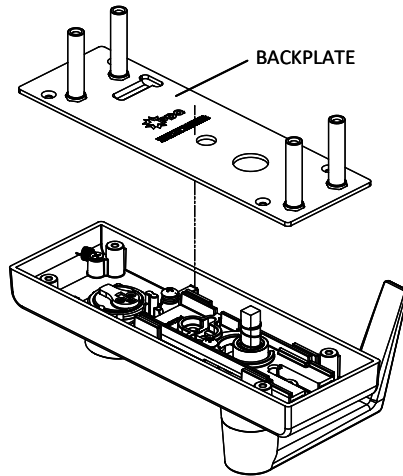
### 3. INSTALL TRIM

- Secure trim and exit device to door
  - Trim will always thru bolt to exit device
- Verify operation of both the trim and the exit device

# 6WM/6NM Exit Device Trim CONVERSION KIT INSTRUCTIONS



Phone: 833-2-PDQTEC | www.pdqlocks.com

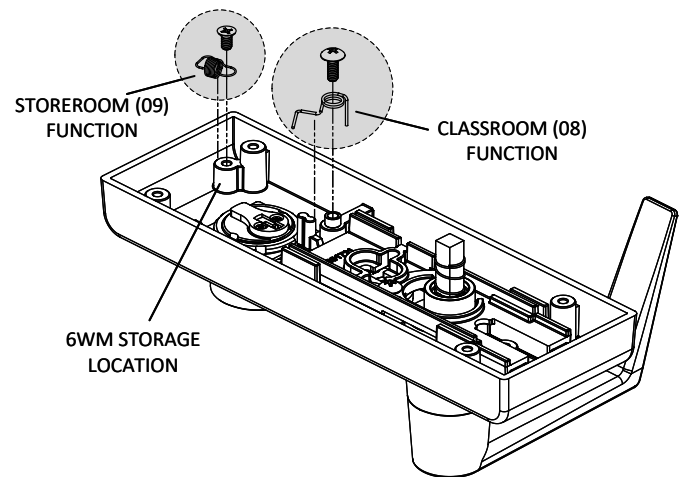


## 1. REMOVE BACKPLATE

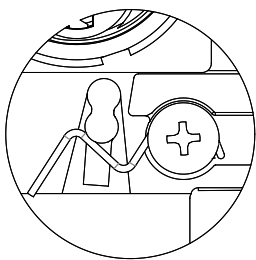
- Remove (4) screws
- Remove backplate

## 2. DETERMINE FUNCTION

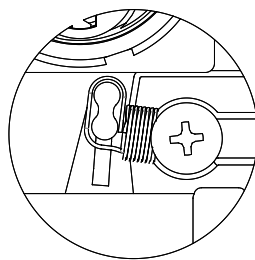
- Standard 6WM includes conversion kit within escutcheon
- 6NM conversion kit can be ordered separately



08 FUNCTION



09 FUNCTION



## 3. INSTALL NEW FUNCTION

- Install desired function
  - **08 Function:** Spring engages beneath boss on locking mechanism. Spring spacer must be installed on inside of spring before tightening screw
  - **09 Function:** Extension spring to go around boss on locking mechanism
- *For 6WM Only:* Install unneeded function into storage location
- Reinstall backplate