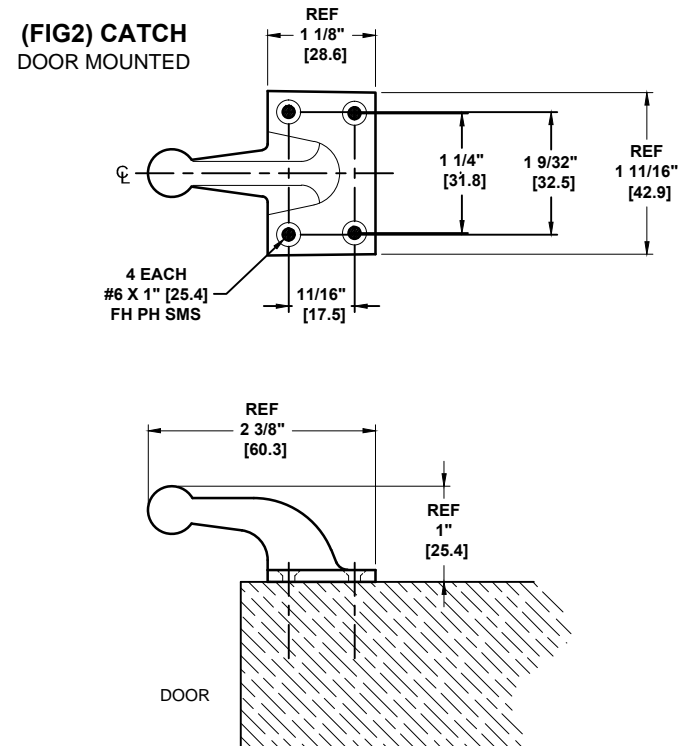
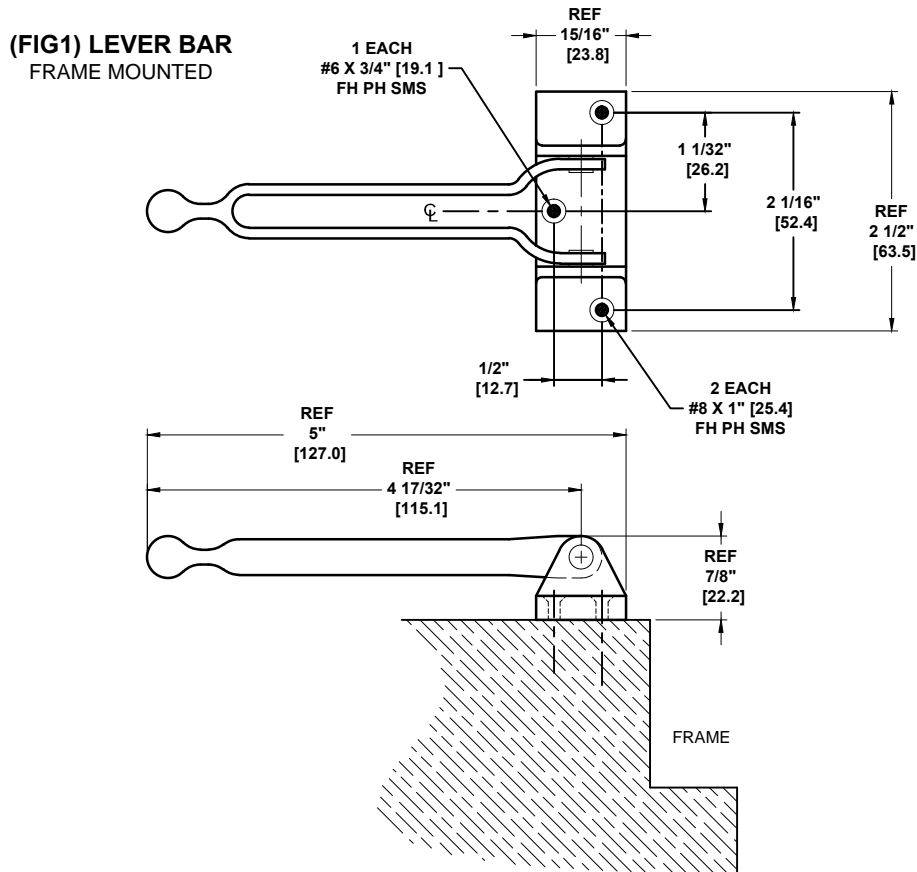


# 578 SECURITY DOOR GUARD FOR METAL AND WOOD DOORS

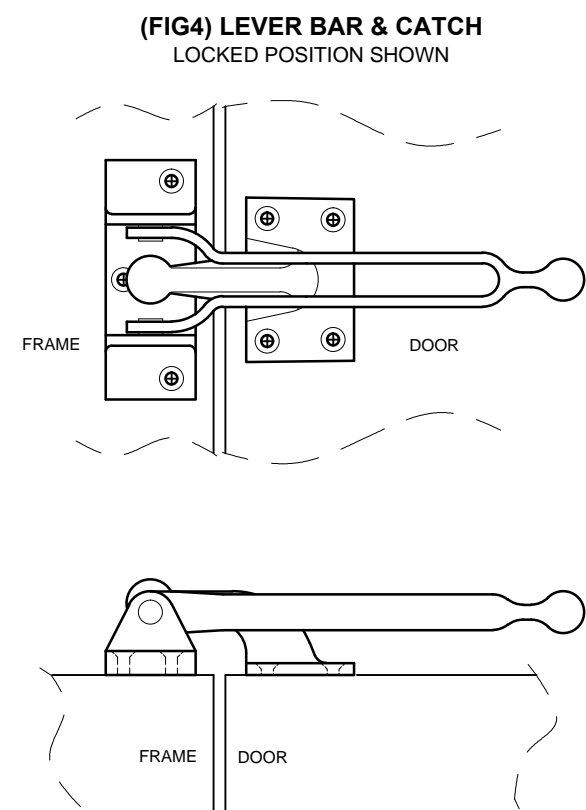
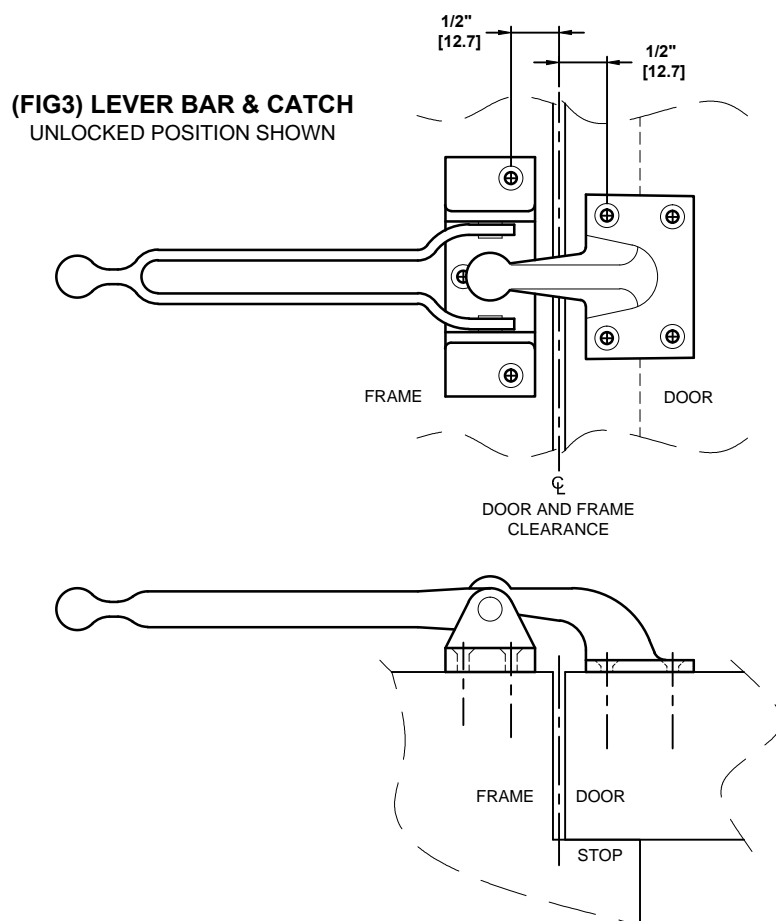
TEMPLATE: 929320  
REV. 0 04-23-15

NOT TO SCALE



## INSTALLATION INSTRUCTIONS:

1. INSTALL THE LEVER BAR ON THE INSIDE OF DOOR:  
LOCATE TWO LEVER BAR HOLES NEAREST TO THE DOOR EDGE AT 1/2" [12.7] FROM THE CENTERLINE OF THE CLOSED DOOR AND FRAME CLEARANCE (AS SHOWN FIG3).
2. USE THE INSTALLED LEVER BAR IN THE UNLOCKED POSITION TO ALIGN AND INSTALL THE CATCH.  
LOCATE TWO CATCH HOLES NEAREST TO THE FRAME EDGE AT 1/2" [12.7] FROM THE CENTERLINE OF THE CLOSED DOOR AND FRAME CLEARANCE (AS SHOWN FIG3).



## NOTES:

1. DIMENSIONS IN **INCHES** [MM].
2. ALWAYS CHECK PDQ WEBSITE FOR THE MOST RECENT TEMPLATE REVISION AT [WWW.PDQLOCKS.COM](http://WWW.PDQLOCKS.COM)



PDQ Manufacturing  
2754 Creek Hill Rd.  
Leola, PA 17540  
800-441-9692  
Fax: 717-656-6892  
[www.pdqlocks.com](http://www.pdqlocks.com)