

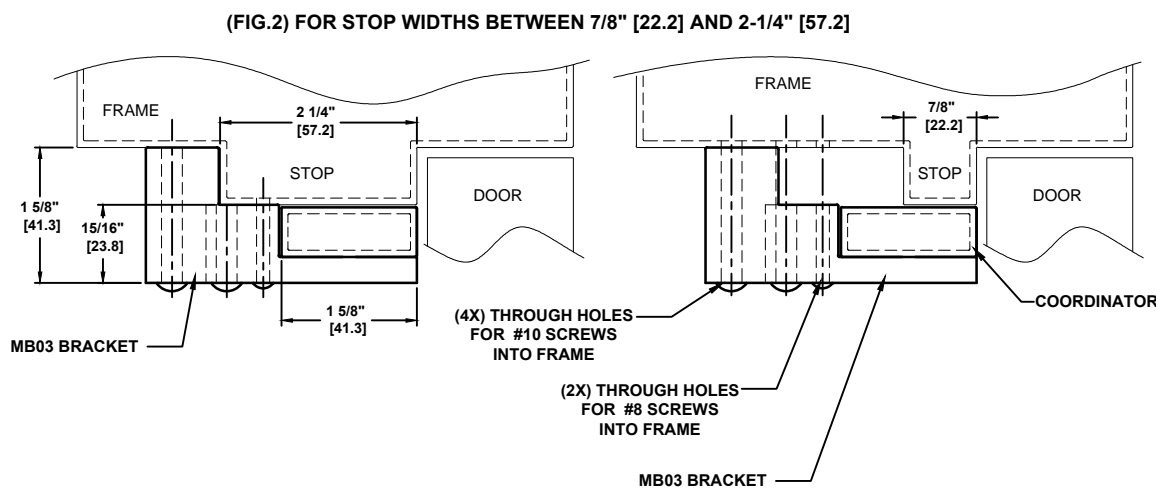
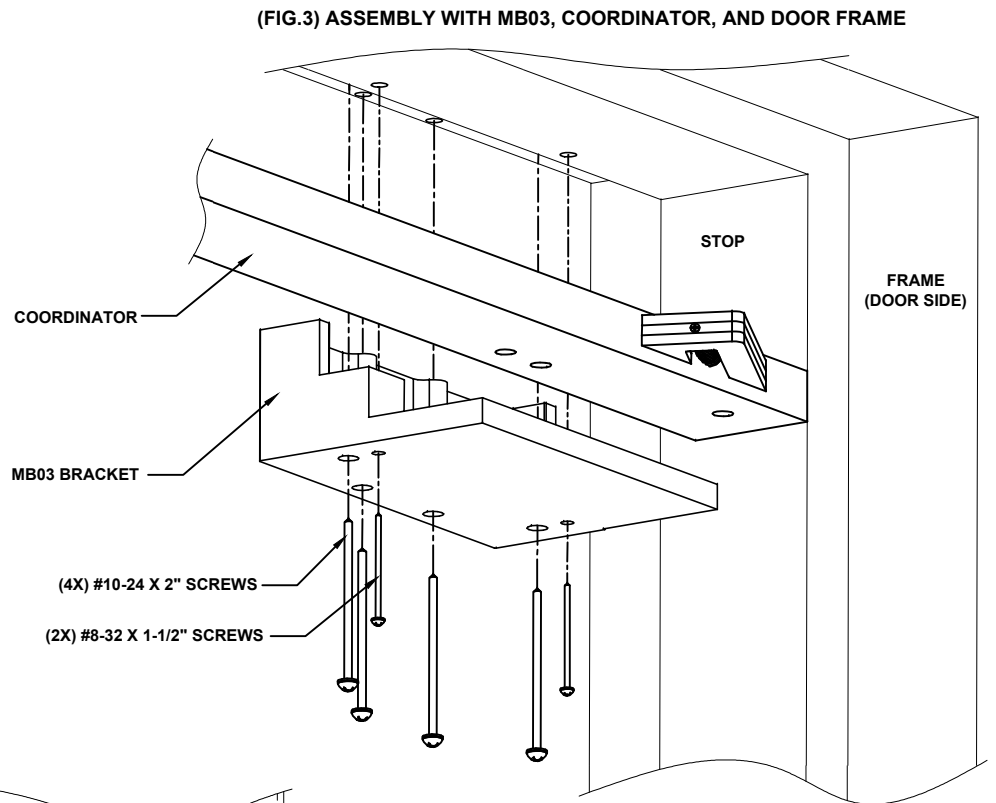
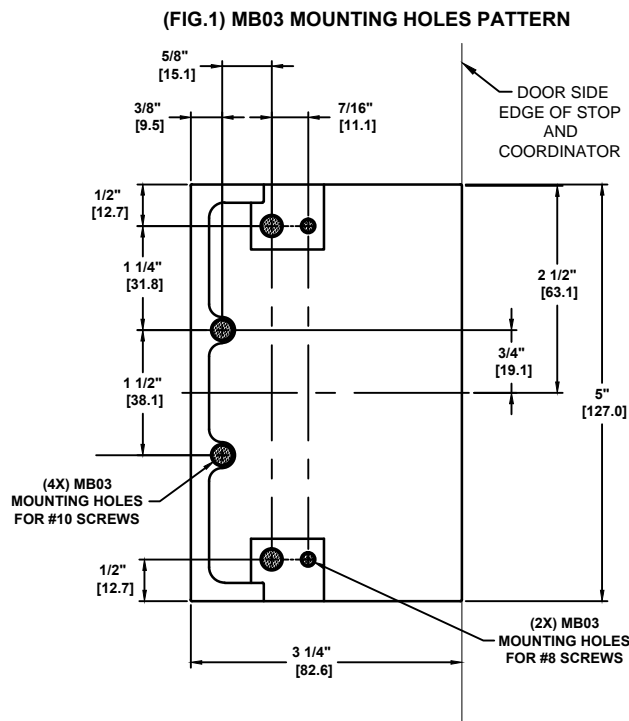
# MB03 MOUNTING BRACKET

## FOR USE WITH COR42, COR52, & COR60 COORDINATORS

### STOP WIDTHS BETWEEN 7/8" [22.2] AND 2-1/4" [57.2]

TEMPLATE: 939313  
REV. 0 12-31-14

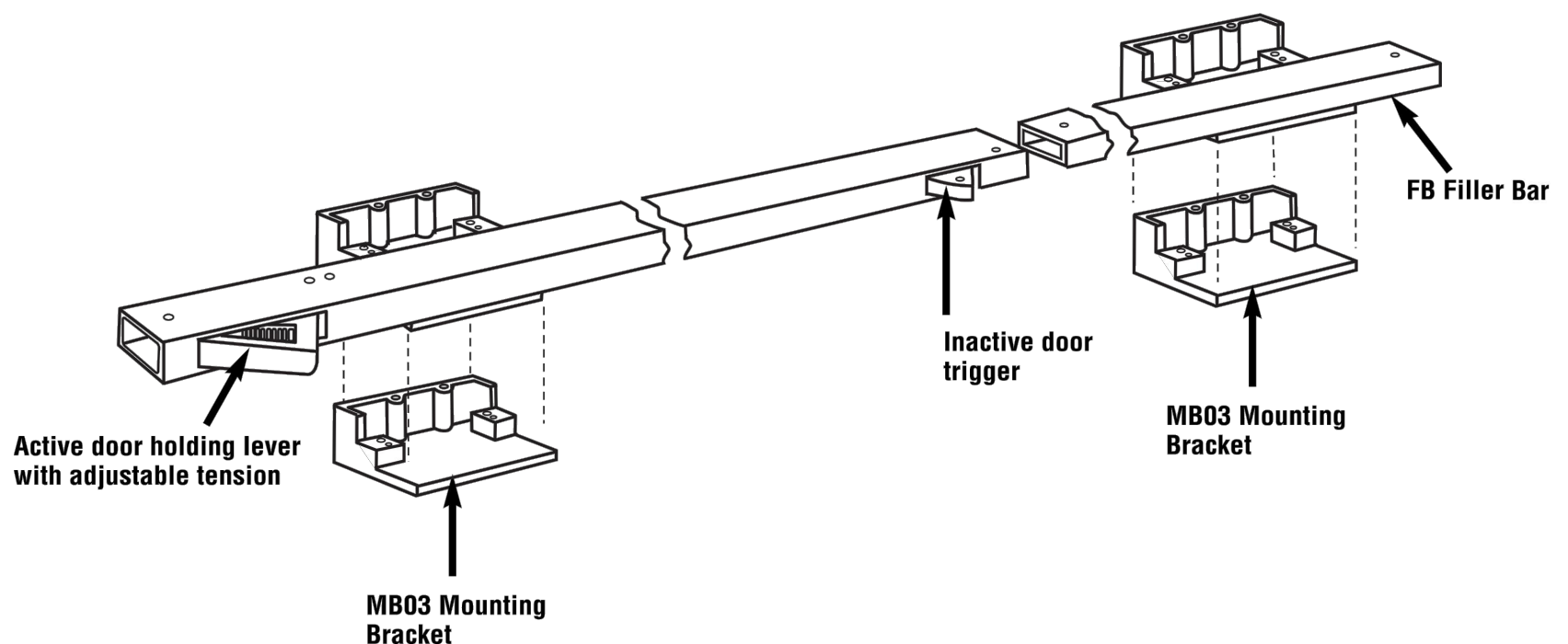
NOT TO SCALE



#### MB03 STOP APPLIED HARDWARE MOUNTING BRACKETS:

INSTALLATION OF STOP SURFACE MOUNTED COORDINATORS CAN BECOME MORE COMPLICATED IN SOME SITUATIONS WHERE OTHER HARDWARE SUCH AS PARALLEL ARM DOOR CLOSERS OR SURFACE VERTICAL ROD STRIKES ARE REQUIRED TO BE MOUNTED TO THE DOOR STOP.

USE MB03 BRACKET THROUGH HOLES (FIG.1) TO MOUNT ASSEMBLY ONTO DOOR FRAME (FIG.2).



#### NOTES:

- HOLES CAN NOT BE DRILLED INTO OR THROUGH THE COORDINATOR, SINCE THIS WOULD INTERFERE WITH THE COORDINATOR MECHANISM.
- WHEN MOUNTING BRACKETS ARE USED, BE SURE TO LOWER MOUNTING HOLES FOR OTHER DOOR APPLIED HARDWARE BY 15/16" [23.8] TO ALLOW FOR COORDINATOR AND MOUNTING BRACKETS.
- DIMENSIONS IN **INCHES** [MM].
- ALWAYS CHECK PDQ WEBSITE FOR THE MOST RECENT TEMPLATE REVISION AT [WWW.PDQLOCKS.COM](http://WWW.PDQLOCKS.COM)



PDQ Manufacturing  
2754 Creek Hill Rd.  
Leola, PA 17540  
800-441-9692  
Fax: 717-656-6892  
[www.pdqlocks.com](http://www.pdqlocks.com)