

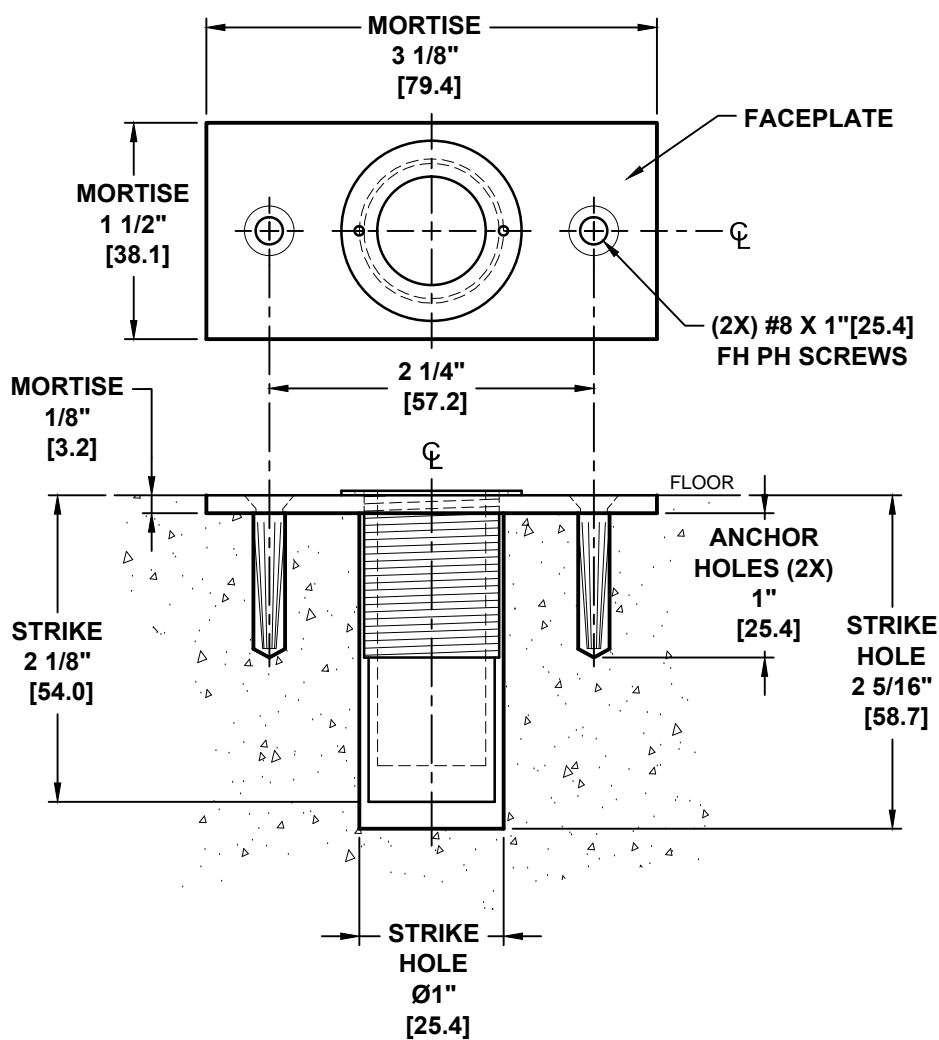
909 DUST PROOF STRIKE

FOR USE WITH MANUAL/ AUTOMATIC/ SURFACE/ FLUSH BOLTS
FOR FLOOR OR THRESHOLD MOUNTING

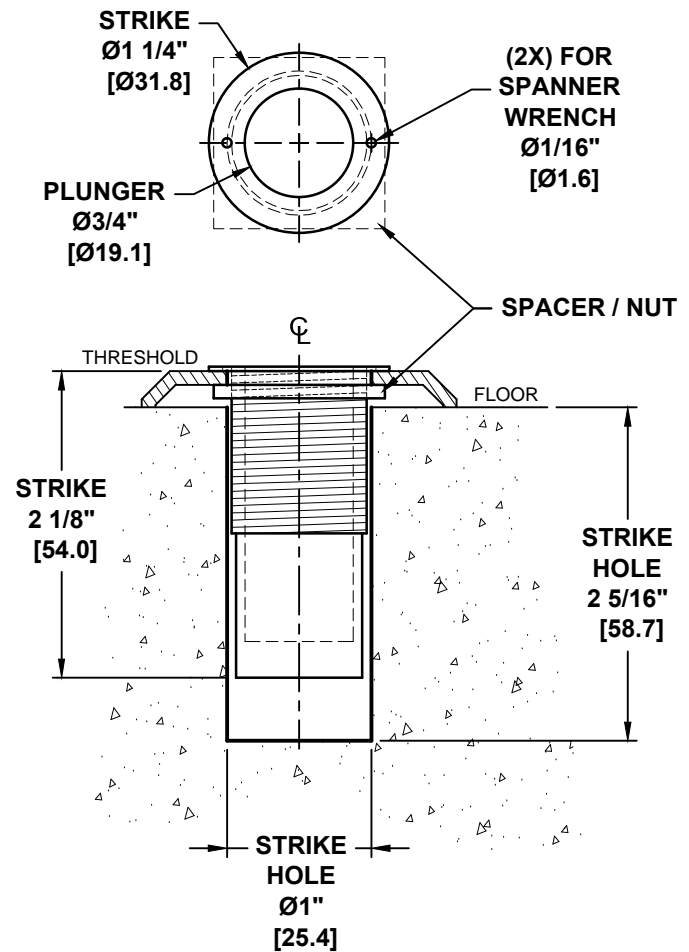
TEMPLATE: 939316
REV. 0 01-20-15

NOT TO SCALE

(FIG.1) FLOOR MOUNT
STRIKE ASSEMBLY WITH
FACEPLATE AND ANCHOR BOLTS



(FIG.2) THRESHOLD MOUNT
STRIKE ASSEMBLY WITH SPACER / NUT



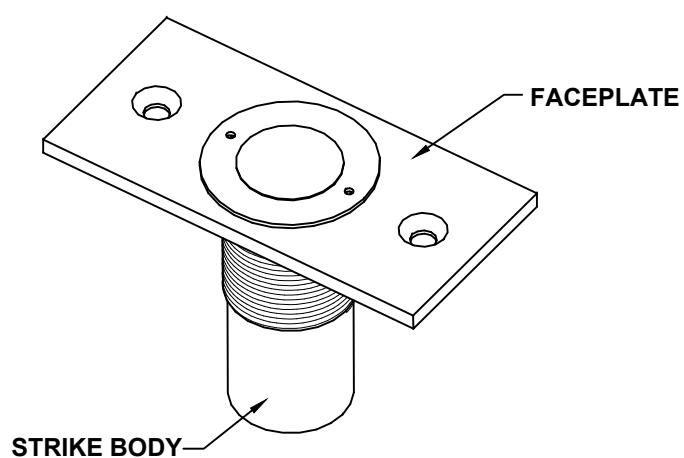
FLOOR MOUNT INSTRUCTIONS (FIG.1):

1. USE INSTALLED BOLT TO MARK LOCATION FOR STRIKE. DRILL $\varnothing 1''$ [25.4] X 2-5/16''[58.7] DEEP HOLE INTO FLOOR.
3. USE FACEPLATE TO MARK OUTLINE FOR MORTISE. MORTISE 1/8''[3.2] DEEP INTO FLOOR SURFACE.
4. USE FACEPLATE TO MARK (2) HOLES FOR ANCHORS. DRILL (2) HOLES FOR ANCHORS.
5. INSERT ANCHORS.
6. INSTALL STRIKE ASSEMBLY AND SECURE WITH SCREWS.
7. USE SPANNER WRENCH TO TIGHTEN STRIKE ASSEMBLY.

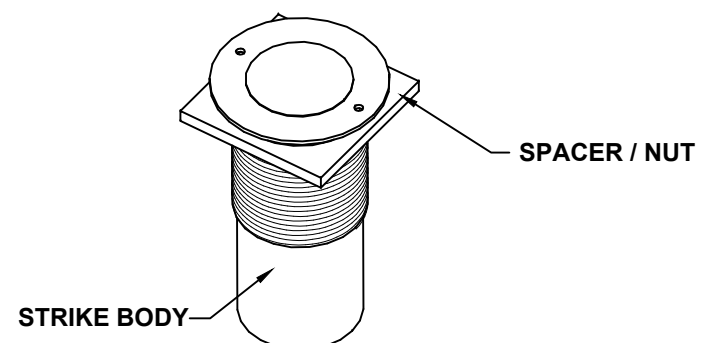
THRESHOLD MOUNT INSTRUCTIONS (FIG.2):

1. USE INSTALLED BOLT TO MARK STRIKE LOCATION. DRILL HOLE $\varnothing 1''$ [25.4] THROUGH THRESHOLD. DRILL $\varnothing 1''$ [25.4] X 2-5/16''[58.7] DEEP HOLE INTO FLOOR.
2. INSERT STRIKE INTO THRESHOLD HOLE AND TIGHTEN WITH SPACER / NUT.
3. INSTALL THRESHOLD WITH STRIKE ASSEMBLY.
4. USE SPANNER WRENCH TO TIGHTEN STRIKE ASSEMBLY.

FLOOR MOUNT STRIKE ASSEMBLY



THRESHOLD MOUNT STRIKE ASSEMBLY



NOTES:

1. FACEPLATE MAY NEED TO BE THREADED ONTO STRIKE BODY FOR FLOOR MOUNT.
2. DIMENSIONS IN **INCHES** [MM].
3. ALWAYS CHECK PDQ WEBSITE FOR THE MOST RECENT TEMPLATE REVISION AT WWW.PDQLOCKS.COM



PDQ Manufacturing
2754 Creek Hill Rd.
Leola, PA 17540
800-441-9692
Fax: 717-656-6892
www.pdqlocks.com