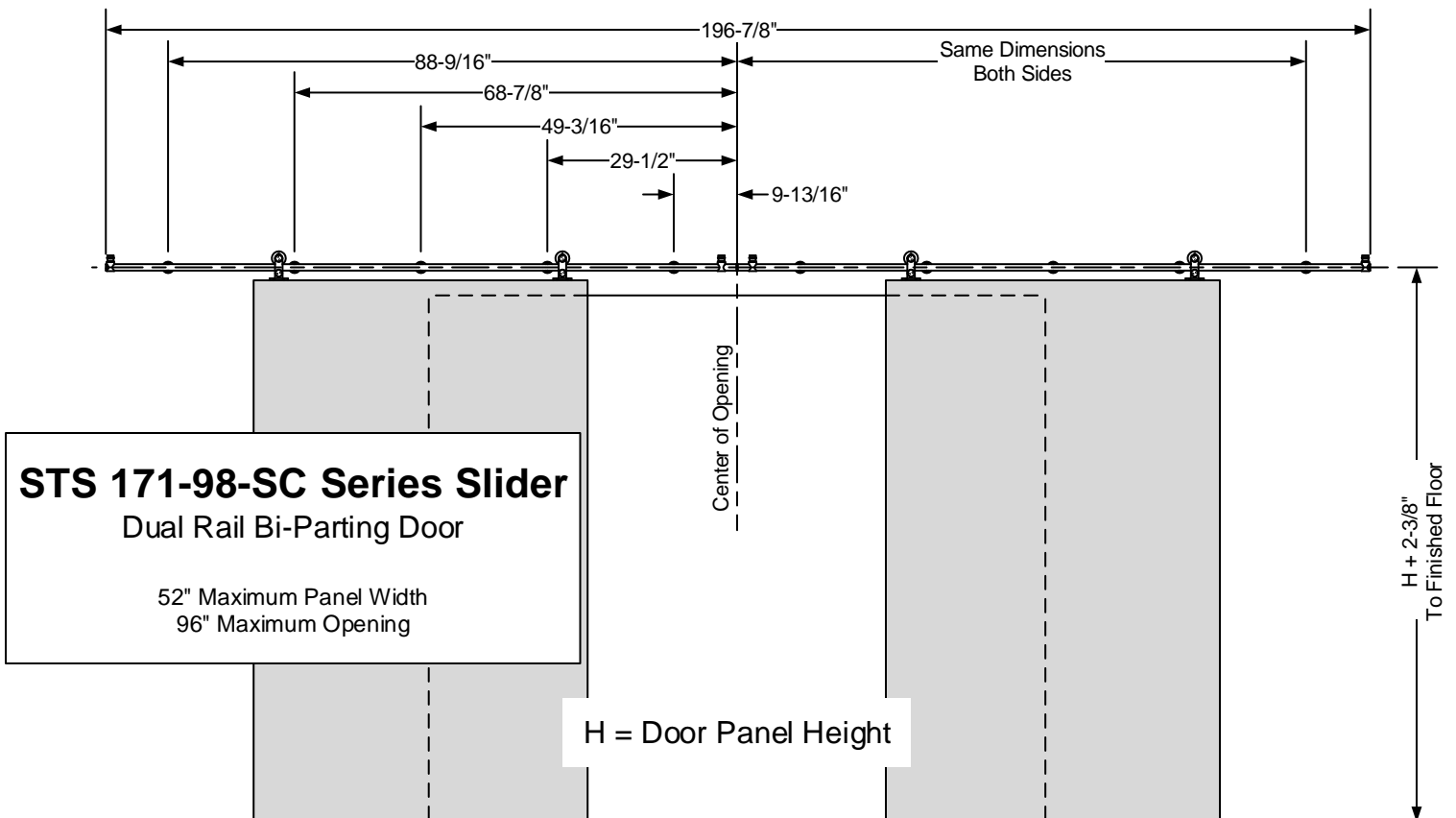
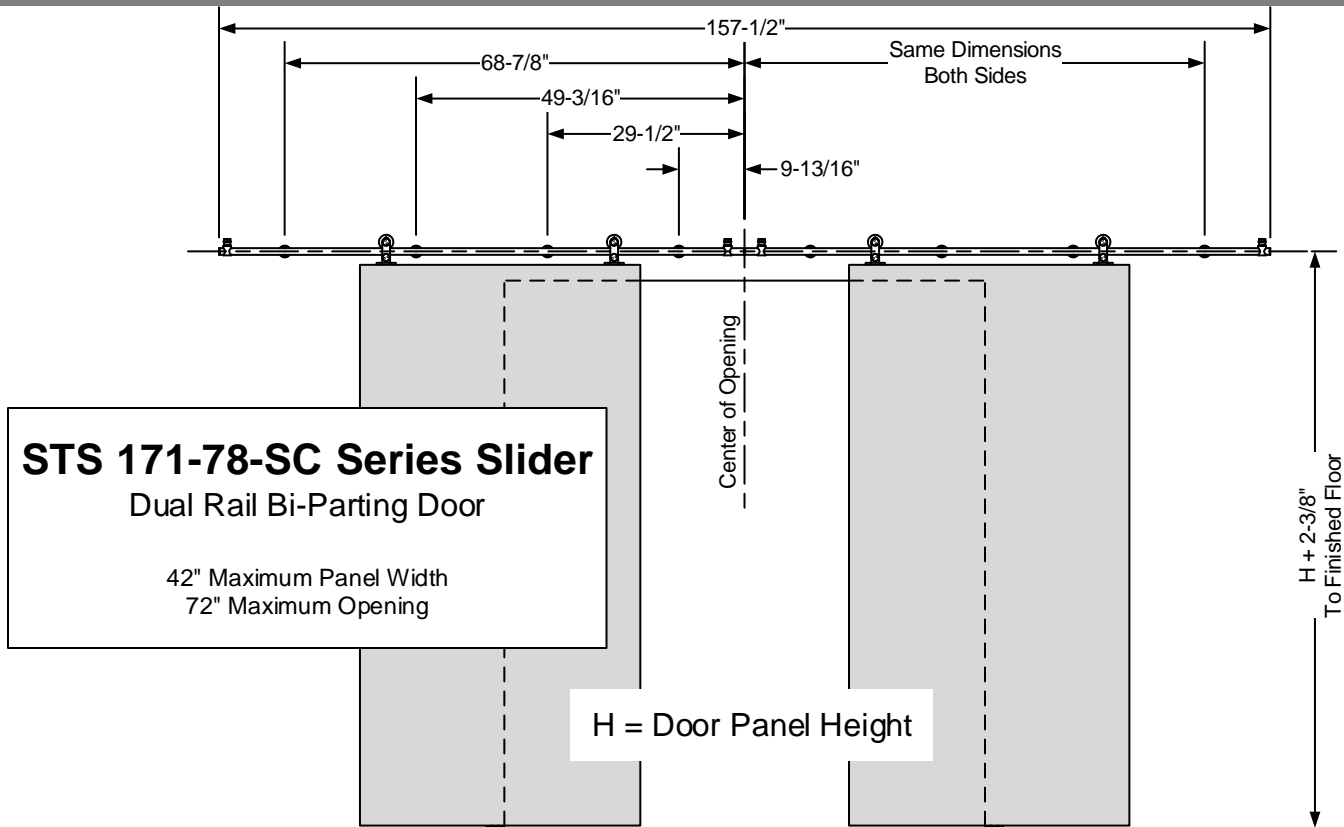


# STS-SC SERIES INSTALLATION



CAUTION: Top rail must be installed into wall blocking.  
Do not attempt to support with drywall anchors only.

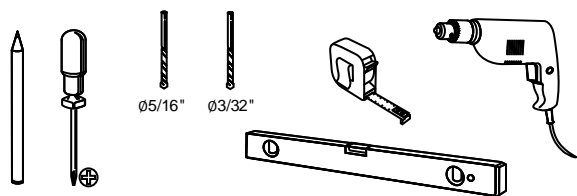
Phone: 800-441-9692 | [www.pdqlocks.com](http://www.pdqlocks.com)



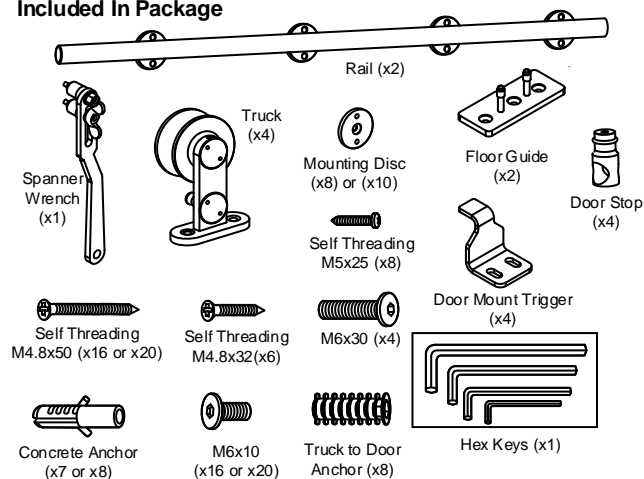
# STS-SC SERIES INSTALLATION



## Tools Required



## Included In Package



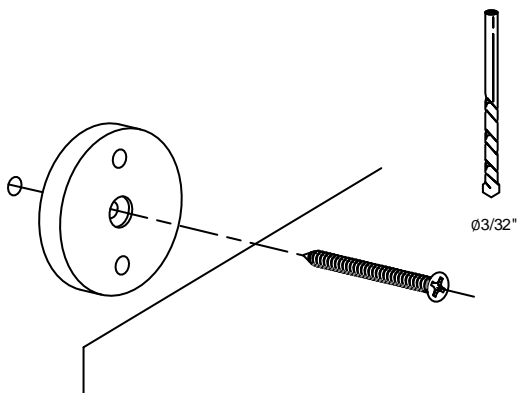
## INSTALLATION OVERVIEW:

It is assumed closed doors are centered on the opening. Doors should overlap wall at least 2" when closed.

1. Measure/mark locations of rail mounting posts on wall using dimensions and formulas shown above. Ensure mounting holes are LEVEL. Drill holes and fasten rail mounting discs to wall.
- 2/3/4. Remove end caps, install center stops, join rails together with union.
5. Mount rail to wall, install door stops over ends of rail.
6. Locate floor guides on finished floor. Guides are located flush with edge of opening and 2" from wall to centerline of guide.
7. Route slot in bottom of each door to act as a track for the floor guides.
- 8/9. Remove anti-jump pin from back of each truck. Mark/drill on top of each door panel for truck (x2). Secure truck with anchors as shown.
- 10/11. Hang doors on track, re-install anti-jump pins.
12. Adjust position of door stops for open and closed positions.
13. Install Soft Close Door Triggers for Closed and Open positions.

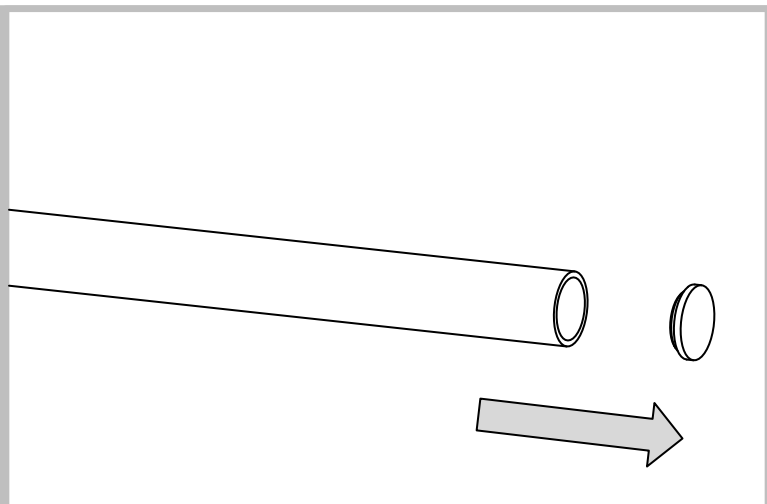
## 1. INSTALL MOUNTING DISCS

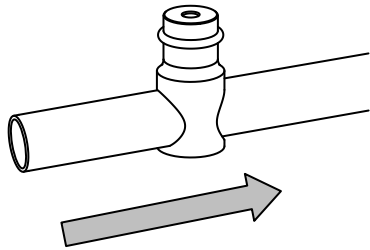
- RAIL MUST BE INSTALLED INTO WALL BLOCKING
- Mark wall for mounting discs with dimensions from first page of this instruction. It is critical the mounting rail is LEVEL.
- Using 3/32" bit, drill rail mounting holes.
- Secure discs with included screw.



## 2. REMOVE END CAPS

- Using a pair of pliers on the outside diameter of the caps, remove the end caps from the rail ends that will be joined together.
- Cap is a light press-fit into the rail.



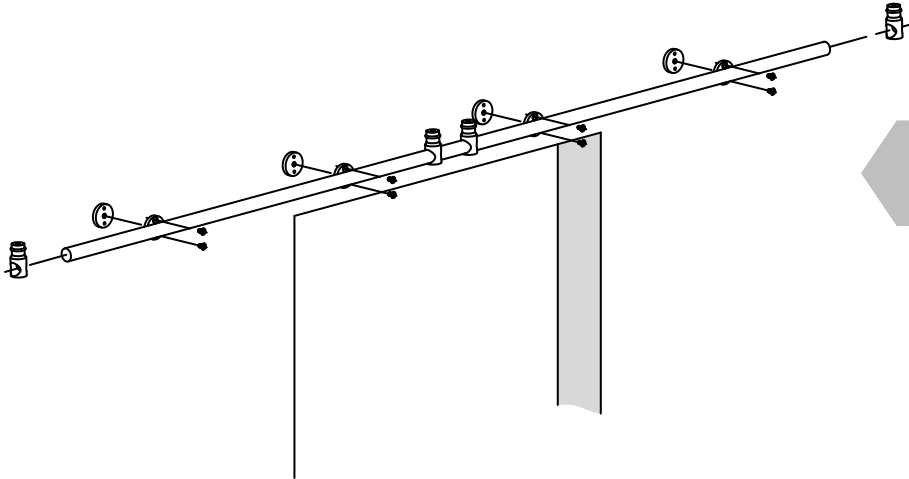
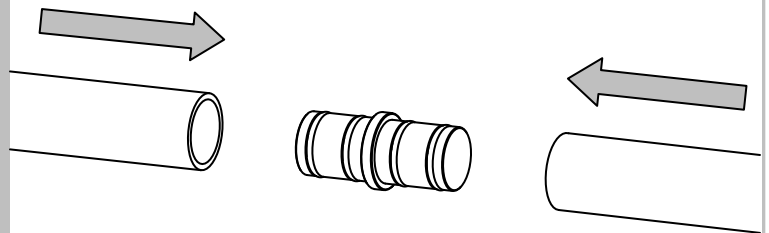


### 3. INSTALL CENTER STOPS

- Slide center stops over the end of each rail before joining in the center.

### 4. JOIN RAILS

- Slide rails over the rail union. Rails are a light press fit onto the union.
- Ensure the rail mounting feet are aligned to the same plane on both rails.

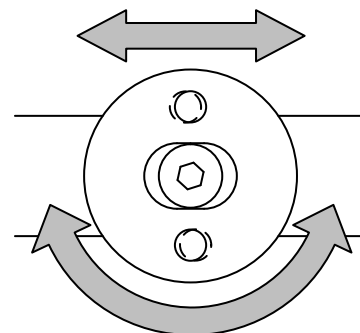
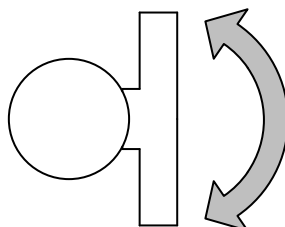


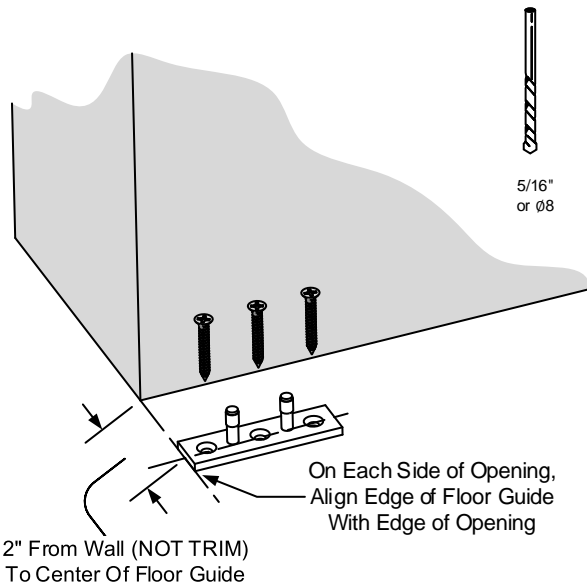
### 5. INSTALL RAIL ONTO WALL

- Using supplied screws, attach rail to mounting discs as shown.
- As a safety precaution, install door stops over each end of rail and secure using supplied hex key.

#### Rail Foot Adjustment

Mounting feet on rail are adjustable. Loosening screw on back of foot allows for rotational and side to side adjustment for alignment with wall mounted discs.



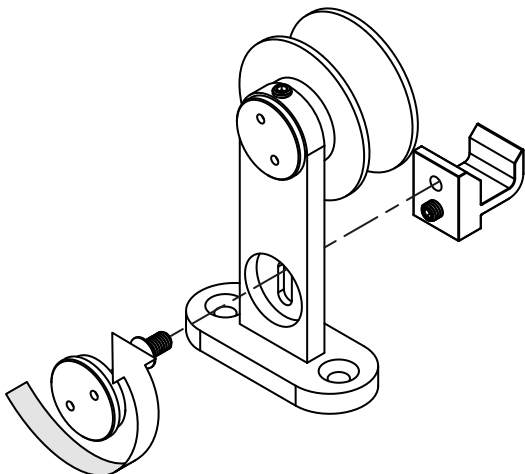
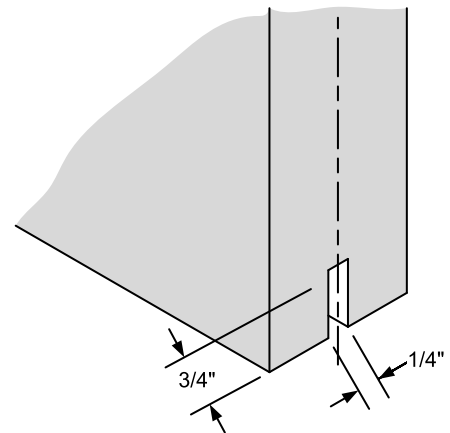


## 6. INSTALL FLOOR GUIDES

- Locate and mark holes for floor guide on either side of the opening. Guides should be flush with edge of opening and 2" from center of guide to wall (NOT TO TRIM).
- Drill (3) 5/16" holes in floor for each guide.
- Install supplied concrete anchors into floor and attach guide with included screws.

## 7. ROUTE DOORS FOR GUIDE

- Route slot in bottom of each door for floor guide 1/4" wide and 3/4" deep.



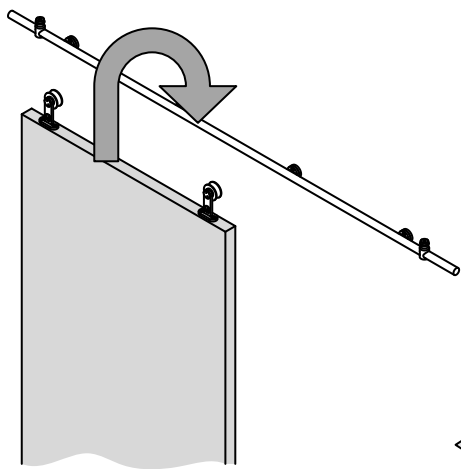
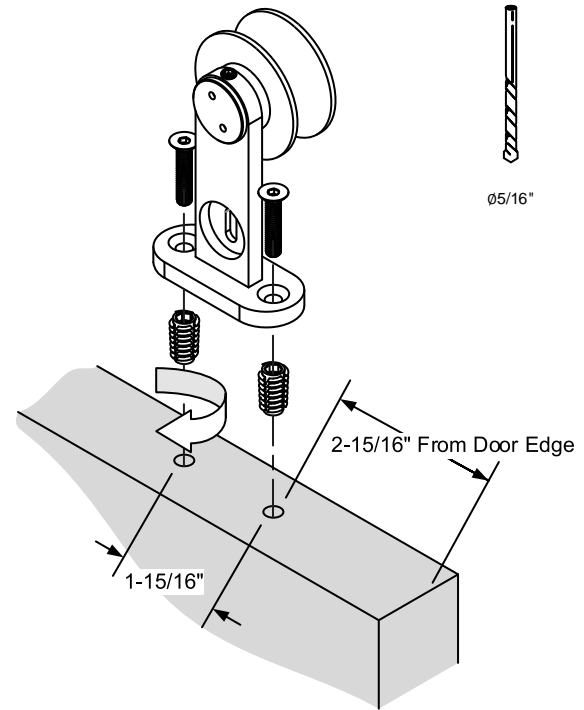
## 8. PREPARE TRUCKS FOR MOUNTING

- Remove cap from trucks with included spanner wrench.
- Using provided hex key, remove screw and anti-jump finger.



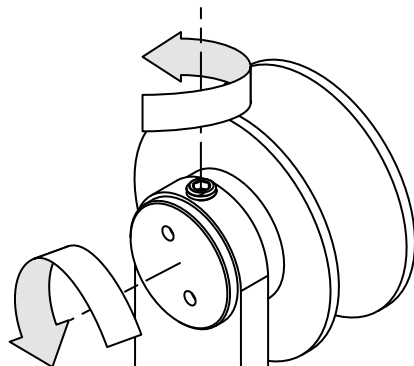
## 9. ATTACH TRUCKS TO DOOR

- Drill 5/16" holes, 1" deep in top of door panel.
- Using supplied 6mm hex key, install anchors into door.
- Using provided 4mm hex key, install (2) included M6x30 flathead screws to mount each truck.



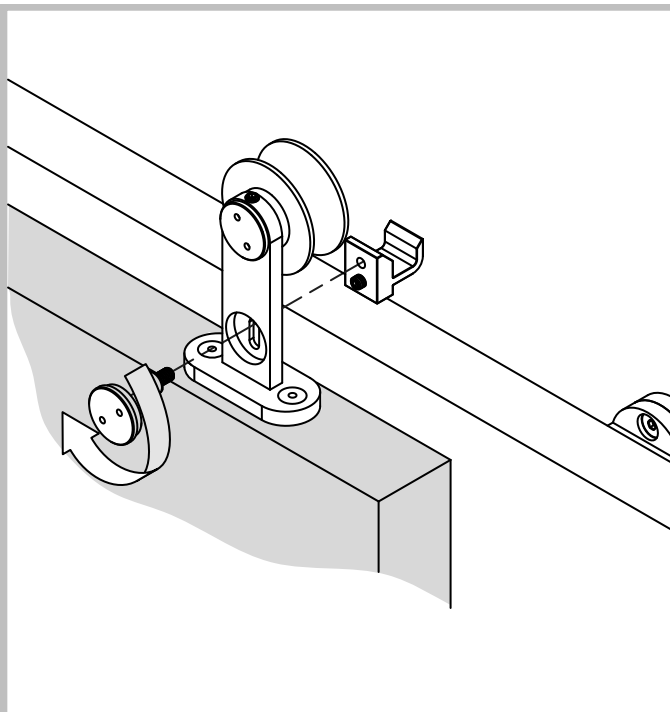
## 10. HANG DOORS

- Hang doors on rail.
- Check to ensure doors are plumb and have the same reveal on the top and bottom when closed.
- If not plumb, loosen cap on truck with spanner wrench and adjust set screw on top of truck assemblies.



## 11. RE-INSTALL ANTI-JUMP FINGERS

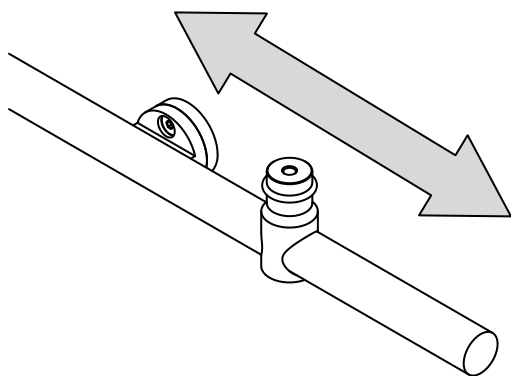
- Re-install anti-jump fingers and covers before testing doors. Anti-jump fingers should be installed close to bottom of rail, but not so close that they rub on the rail during operation.



## 12. ADJUST DOOR STOPS

- Adjust stops for both open and closed door panel positions. Tighten stops once desired position is achieved.
- Restrict door travel to ensure door panel does not disengage from floor guide.

**WARNING:** When adjusting door stops, ensure that the floor guide remains properly engaged with the bottom of the door panel in both the open and closed positions.





### 13. INSTALL SOFT-CLOSE TRIGGER BRACKETS

- Position door panel to closed position against door stop as shown in 'A'.
- Move rail trigger toward end of rail until it stops as shown in 'B'. Incorrect position shown in 'C'.
- Position door mount trigger bracket as shown. Center bracket between the rail triggers.
- Mark and drill 3/32" x 1" deep holes for bracket.
- Fasten bracket with included screws.
- Repeat to install second door mount trigger for open door position.

**CAUTION:**

**If door is removed to install door mount trigger, reset trigger on rail before installing door.**

