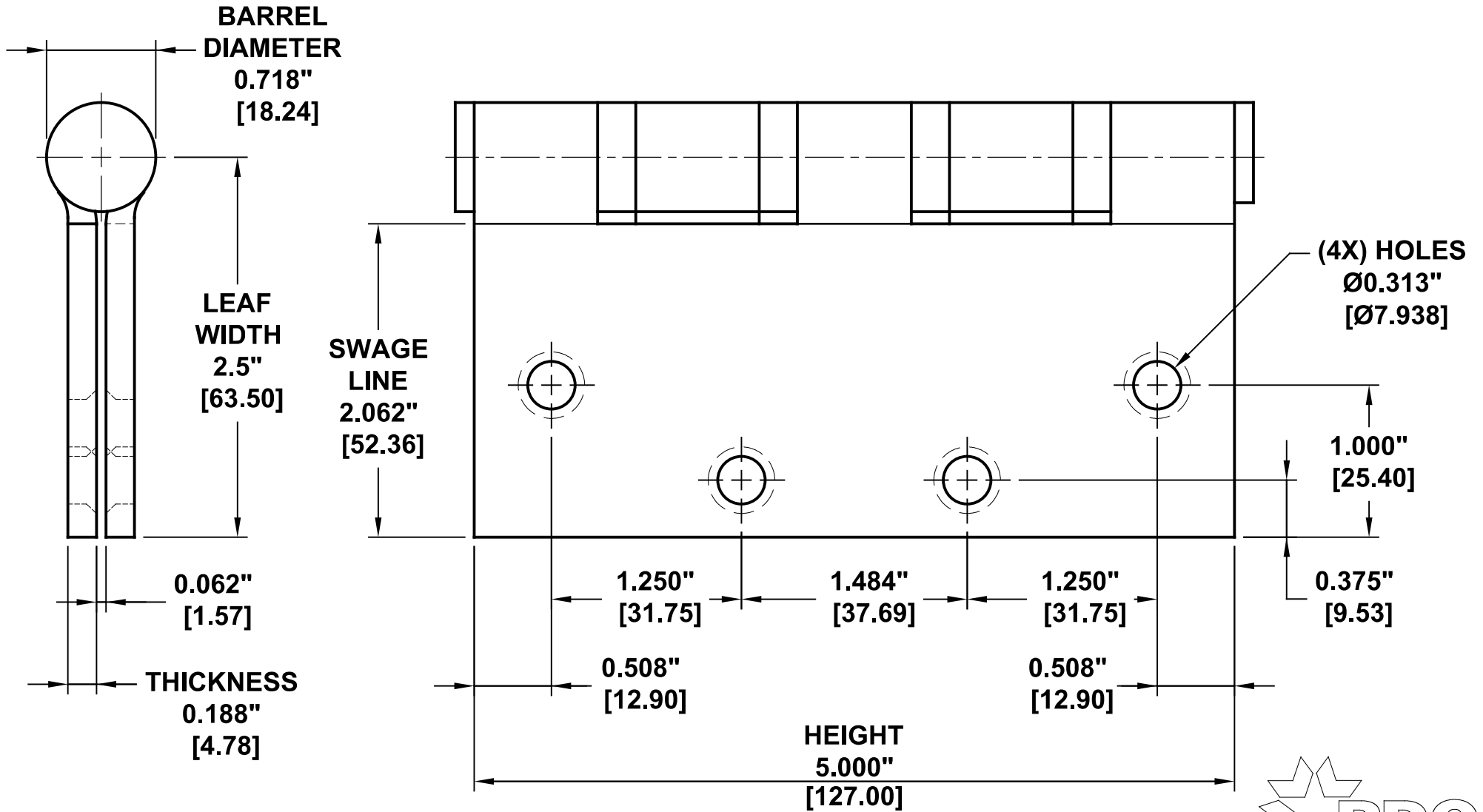


5050 4 BALL BEARING HINGE FULL MORTISE TEMPLATE 5" X 5"

TEMPLATE: 359307

REV. 0 5-26-20

NOT TO SCALE



PDQ Manufacturing
2230 Embassy Dr.
Lancaster, PA 17603
833-273-7832
833-2-PDQTECH
www.pdqlocks.com

NOTES:

1. DIMENSIONS IN **INCHES**
[MM]
2. ALWAYS CHECK PDQ WEBSITE FOR THE MOST RECENT
TEMPLATE REVISION AT WWW.PDQLOCKS.COM