

SF INSTALLATION INSTRUCTION

211 SINGLE DUMMY



Phone: 833-2-PDQTEC | www.pdqlocks.com



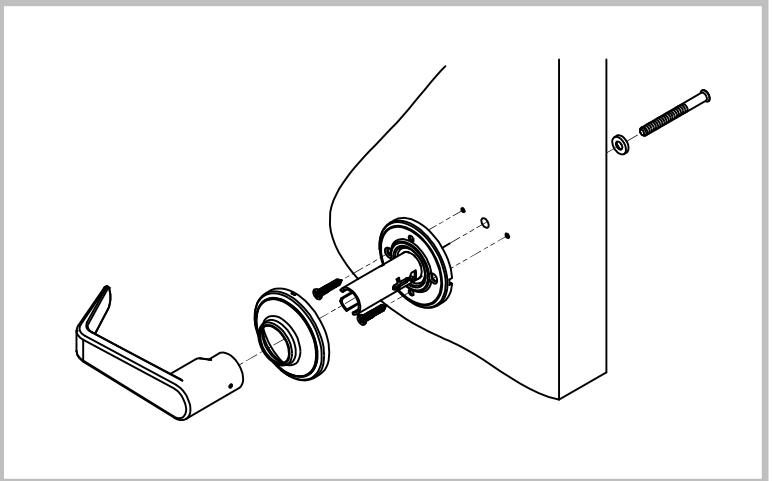
1. PREPARE DOOR

- Prepare door according to template below.



2. INSTALL LOCK

- Fasten lock to door with single thru bolt and (2) surface mount screws.
- Install rose and push lever on until retained by clip.



SF TEMPLATE

211 - Single Dummy

Wood - 1/8" Pilot Hole 3/4" Deep (2x)
Metal - #8-32 UNC (2x)
LOCK SIDE OF DOOR ONLY

LOCK ζ

2-3/4" Backset

2-3/8" Backset

1 - 11/16"

Ø1/4" Hole
Through Door