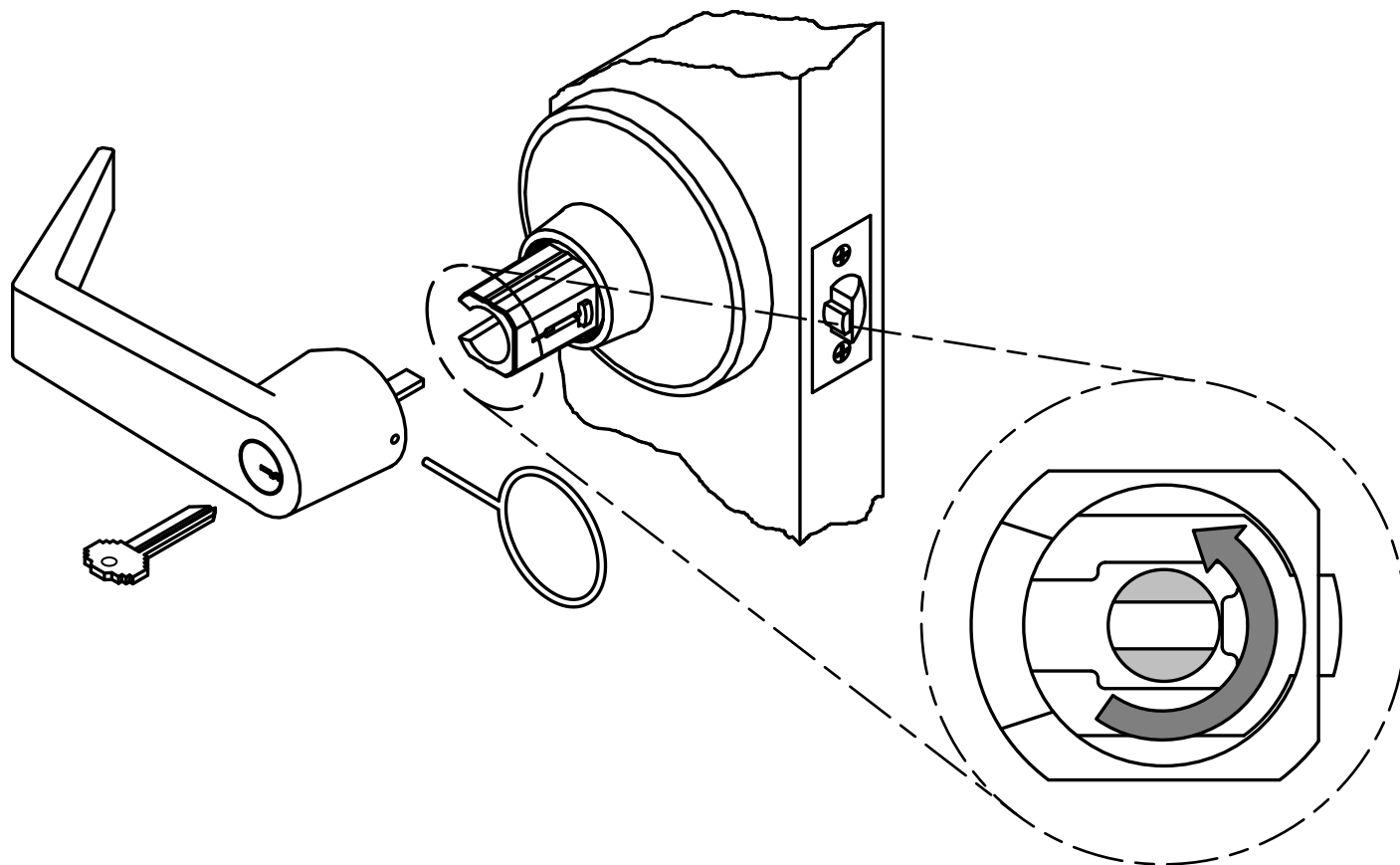


TIMING INSTRUCTION FOR FUNCTIONS:

135 (CLASSROOM SECURITY)
137 (STORE DOOR)
145 (CLASSROOM SECURITY W/ ARROW)



Phone: 800-441-9692 | www.pdqlocks.com



CYLINDER TO CHASSIS TIMING OVERVIEW:

NOTE: See back of instruction for explanation of expected proper operation of function.

1. To install new standard cylinder, levers must be removed. Begin by inserting and rotating key 45°. Insert pick into hole in front of lever as shown while pulling out on lever. For Interchangeable Core type cylinder it is not necessary to remove lever. Simply insert control key and remove core.

2. Inside Lever –

a. Before installing new cylinder or core, ensure locking mechanism is in the correct position by rotating shaded spindle in the above illustration to the horizontal position.

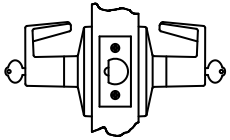
b. Re-install lever or core into inside lever. Ensure key is in home position when installing lever (position where key can be pulled out of cylinder). Rotate key 45° counter-clockwise after cylinder tailpiece has engaged in locking mechanism and continue to push lever onto spindle until it clicks into place.

3. Outside Lever –

a. Before installing new cylinder or core, ensure locking mechanism is in the correct position by rotating shaded spindle in the above illustration counter-clockwise until it stops. Then rotate clockwise to the nearest horizontal position.

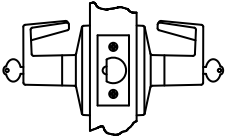
b. Re-install lever or core into outside lever. Ensure key is in home position when installing lever (position where key can be pulled out of cylinder). Rotate key 45° counter-clockwise after cylinder tailpiece has engaged in locking mechanism and continue to push lever onto spindle until it clicks into place.

Expected Operation When Correctly Installed



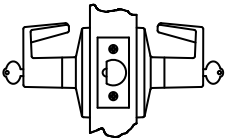
135 Function

- Outside lever locked/unlocked by turning key 360° in either lever– key should NOT turn back 180° to be removed.



137 Function

- Both levers simultaneously locked/unlocked by turning key 360° in either lever– key should NOT turn back 180° to be removed.



145 Function

- Outside lever locked/unlocked by turning key 360° in either lever– key should NOT turn back 180° to be removed.
- Directional arrow on inside rose shows how key is turned to lock.