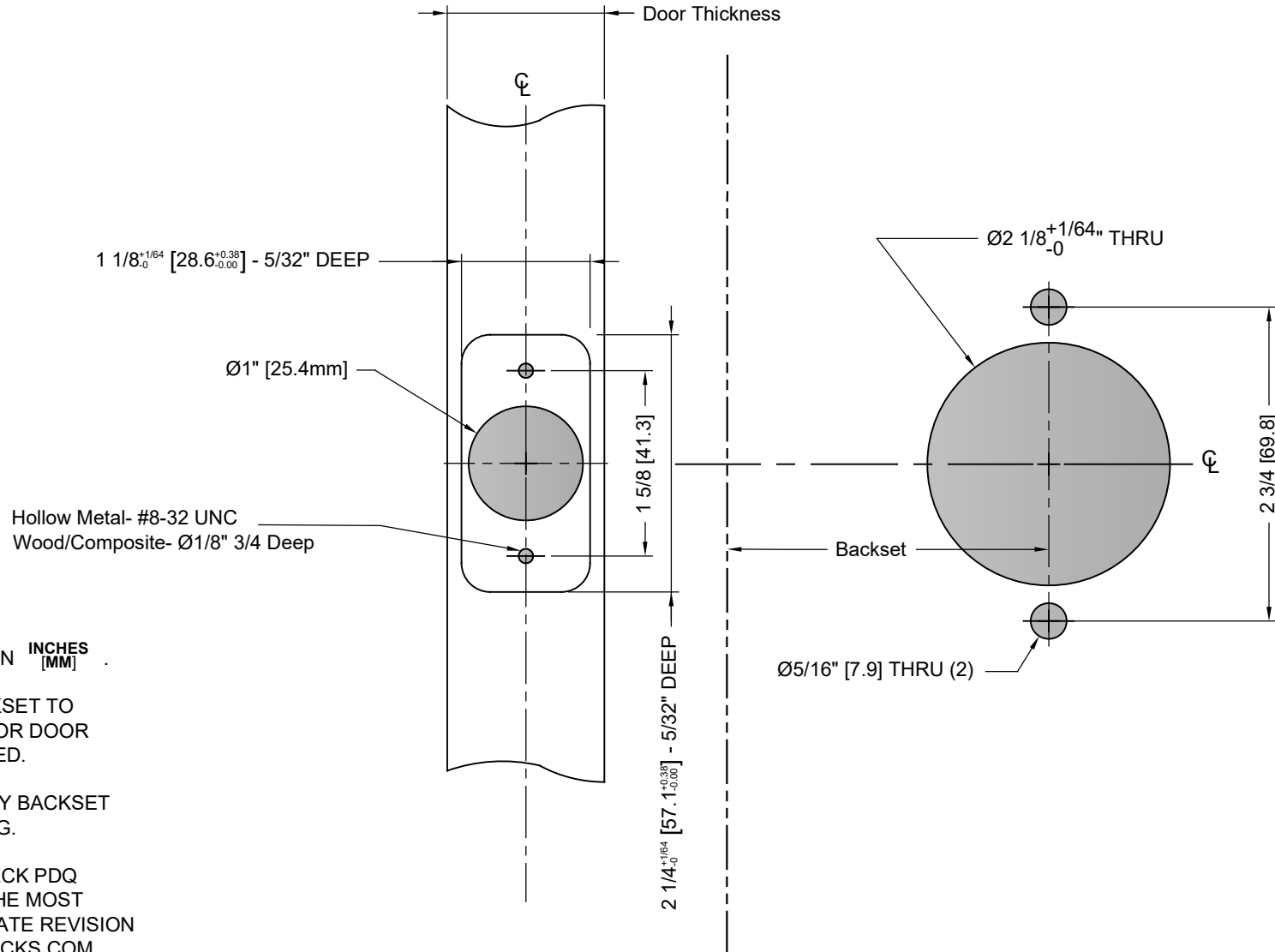


XGT/GT Series Cylindrical Lockset

TEMPLATE: V32422

REV. 1 4-10-19

Door Type: Hollow Metal, Wood or Composite- Square or Beveled Edge Door
 Door Thickness: 1 3/4" [44.5] - 2 1/4" [57.2]
 Backset: 2 3/4" [70] - 5" [127]
 Faceplate: 1 1/8" [28.6] Radius



NOTES:

1. DIMENSIONS IN **INCHES** [MM]
2. ADJUST BACKSET TO COMPENSATE FOR DOOR BEVEL AS NEEDED.
3. MUST SPECIFY BACKSET WHEN ORDERING.
4. ALWAYS CHECK PDQ WEBSITE FOR THE MOST RECENT TEMPLATE REVISION AT WWW.PDQLOCKS.COM



PDQ Manufacturing
 2230 Embassy Dr.
 Lancaster, PA 17603
 833-273-7832
 833-2 PDQTEC
www.pdqlocks.com