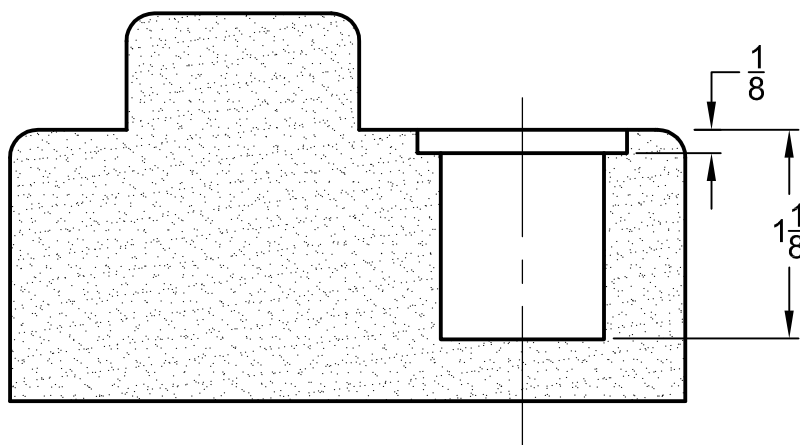
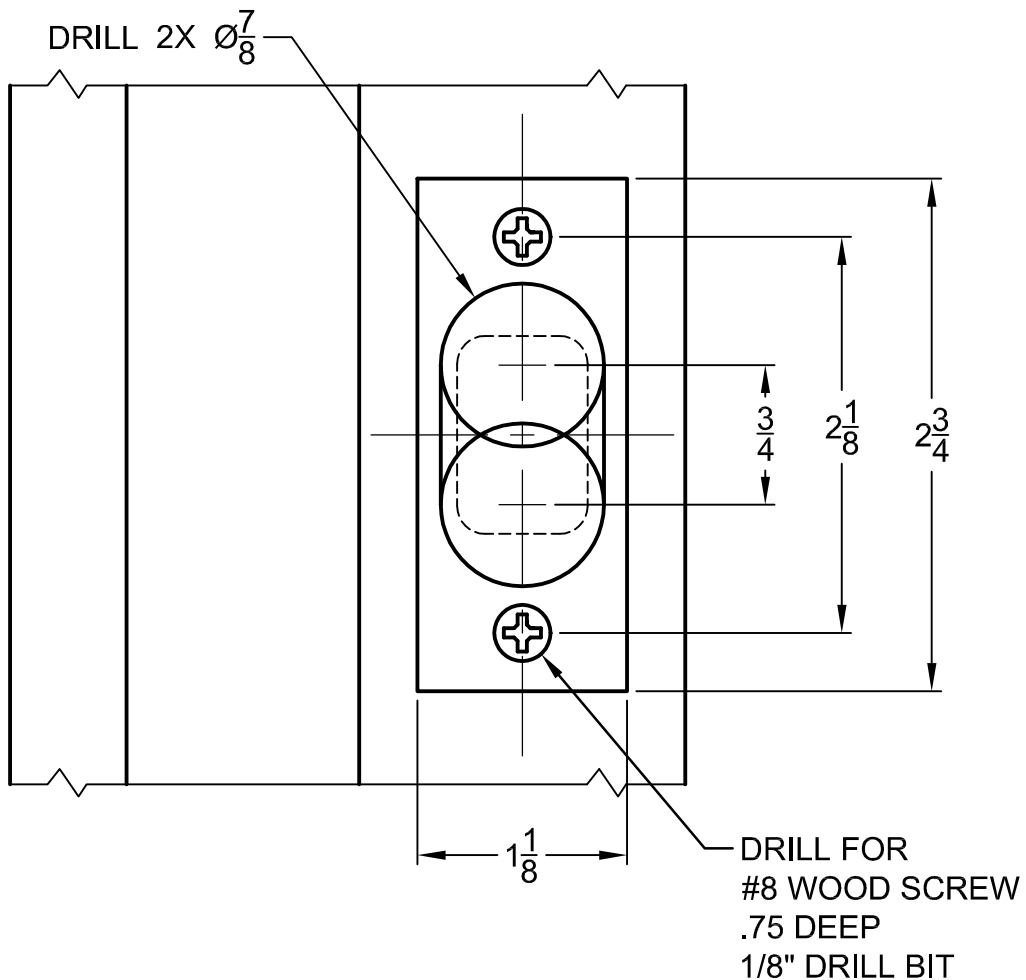


**STRIKE**  
**KV, KT, KM, KR DEADBOLT**



VERIFY PRINTED TO SCALE

**Jamb Type: Wood**

**JOB:**

**DATE:**

**COMMENTS:**



2754 Creek Hill Rd.  
 Leola, PA 17540  
 800-441-9692  
 Fax: 717-656-6892  
 www.pdqlocks.com