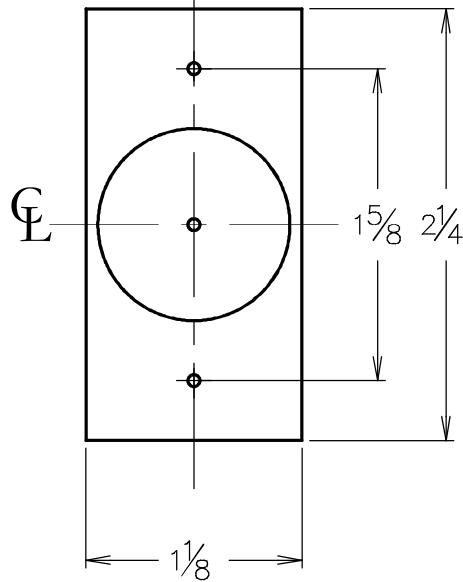


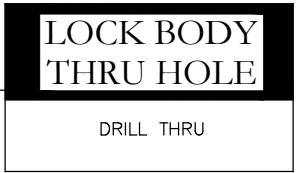
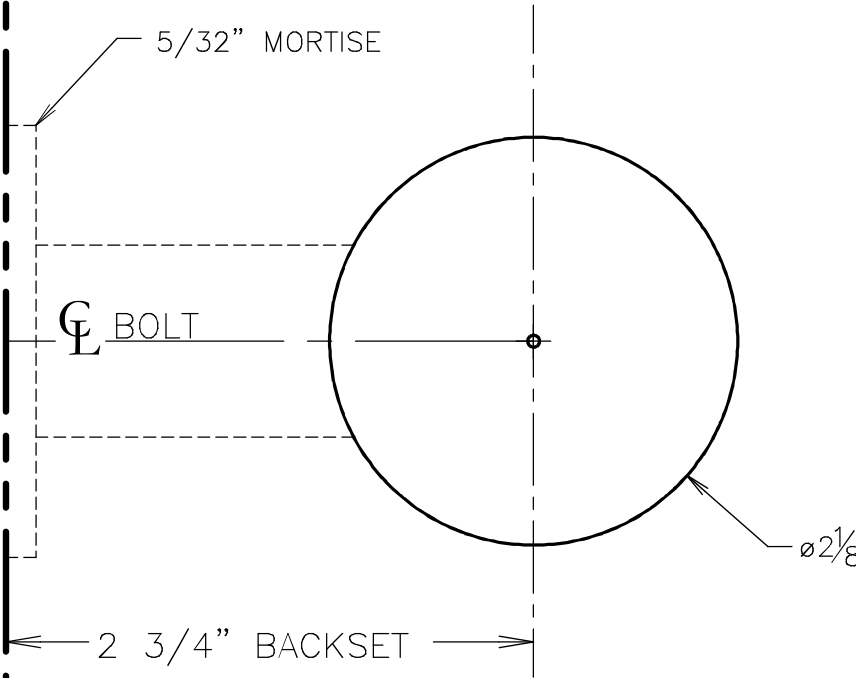
TEMPLATE NO.  
KT4.0

MARK  
CENTER OF  
DOOR  
THICKNESS  
FOR 1" DIA.  
HOLE



$\text{Ⓢ}$   
BOLT AND DOOR  
THICKNESS

TEAR  
HERE



NOTE: ADJUST  
TEMPLATE FOR  
BEVELED DOORS

## DOOR TEMPLATE



DATE:  
7-10-2015

KT 116, 121, 125, 137, 148  
 $2\frac{3}{4}$ " BACKSET (FIXED)

MAY NOT BE TO SCALE

PLEASE ENSURE THAT THIS IS THE MOST UP  
TO DATE TEMPLATE BY VISITING OUR  
WEBSITE AT [WWW.PDQLOCKS.COM](http://WWW.PDQLOCKS.COM)