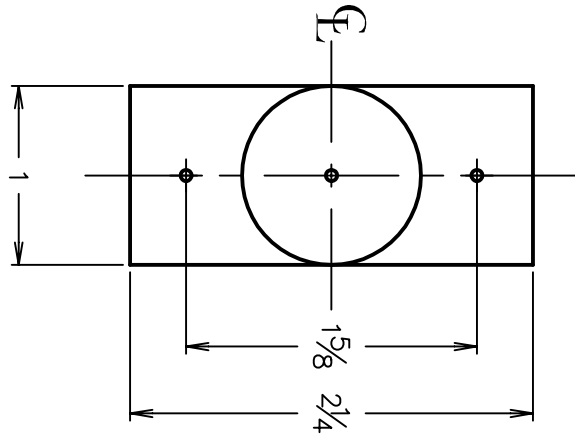
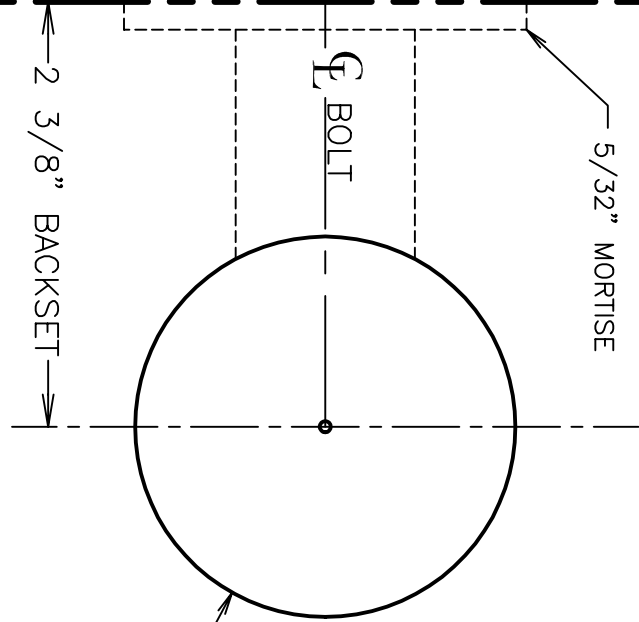


MARK
CENTER OF
DOOR
THICKNESS
FOR 1" DIA.
HOLE



BOLT AND DOOR
THICKNESS
 F

TEAR HERE



5/32" MORTISE

F BOLT

2 3/8" BACKSET

NOTE: ADJUST
TEMPLATE FOR
BEVELED DOORS

$\phi 21/8$



DOOR TEMPLATE



KV, KM, KR 116

2 3/8" BACKSET (FIXED)

MAY NOT BE TO SCALE

DATE: 1-5-00

PLEASE ENSURE THAT THIS IS THE MOST UP
TO DATE TEMPLATE BY VISITING OUR
WEBSITE AT WWW.PDQLOCKS.COM