

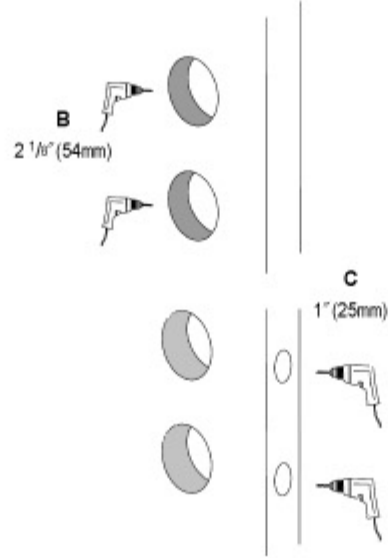
# Instructions For Installation of Interconnected Lock

## 1. Mark door



- A. Check lock for proper backset and door thickness of the door before marking.
- B. Fold template at correct marking for door.
- C. Mark appropriate centers for 2 1/8" (54mm) holes.
- D. Mark center for 1" (25mm) diameter latch holes in door edge.

## 2. Drill holes

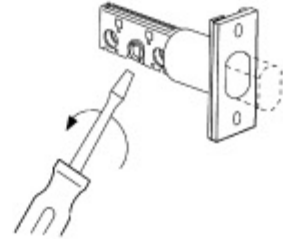


- A. Determine backset (2 3/4" or 2 3/8") of the lock.
- B. Drill the 2 1/8" (54mm) holes about halfway through door face from both sides to avoid damaging wood.
- C. Drill 1" (25mm) diameter holes in door edge.

## 3. Install Deadbolt & Latchbolt

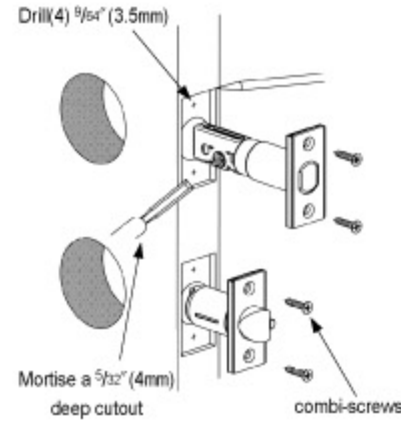
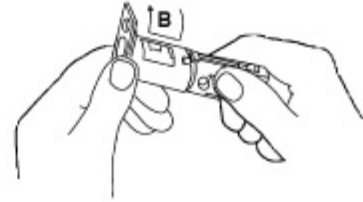
Adjustable deadbolt is factory preset 2 3/4" (70mm) backset.

- A. Bolt must be retracted. Retract deadbolt (if necessary, use screw driver to turn cam and retract bolt).



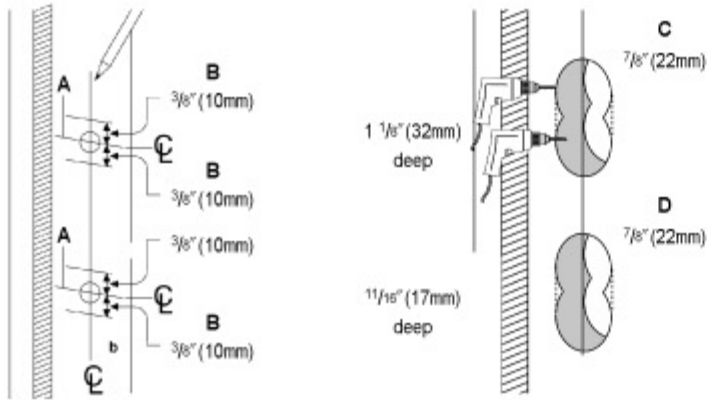
- B. How to adjust for 2 3/8" (60mm) backset.

**NOTE: Rotate faceplate and push down to move housing to next position.**



- C. Insert latch bolt and dead bolt into hole. Trace around faceplate.
- D. Chisel out wood until faceplate fits flat with door edge.
- E. Drill (4) 9/64" (3.5mm) holes and secure latchbolt and deadbolt with combi-screws supplied.

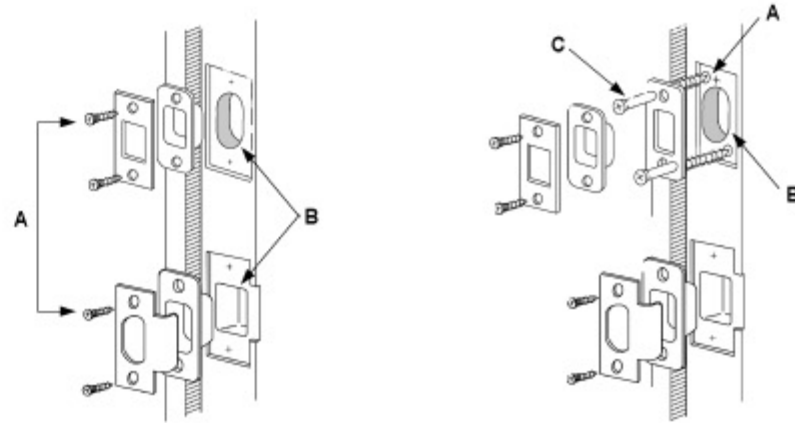
## 4. Prepare Door Jamb



- A. Locate exact centerline of bolt and mark centerline on jamb.
- B. Mark drill points 3/8" (10mm) above and below centerline.

- C. Drill two overlapping 7/8" (22mm) holes 1 1/8" (32mm) deep for deadbolt. Clean out hole.
- D. Drill two overlapping 7/8" (22mm) holes. 1 1/16" (17mm) deep for latchbolt, into door jamb as shown.

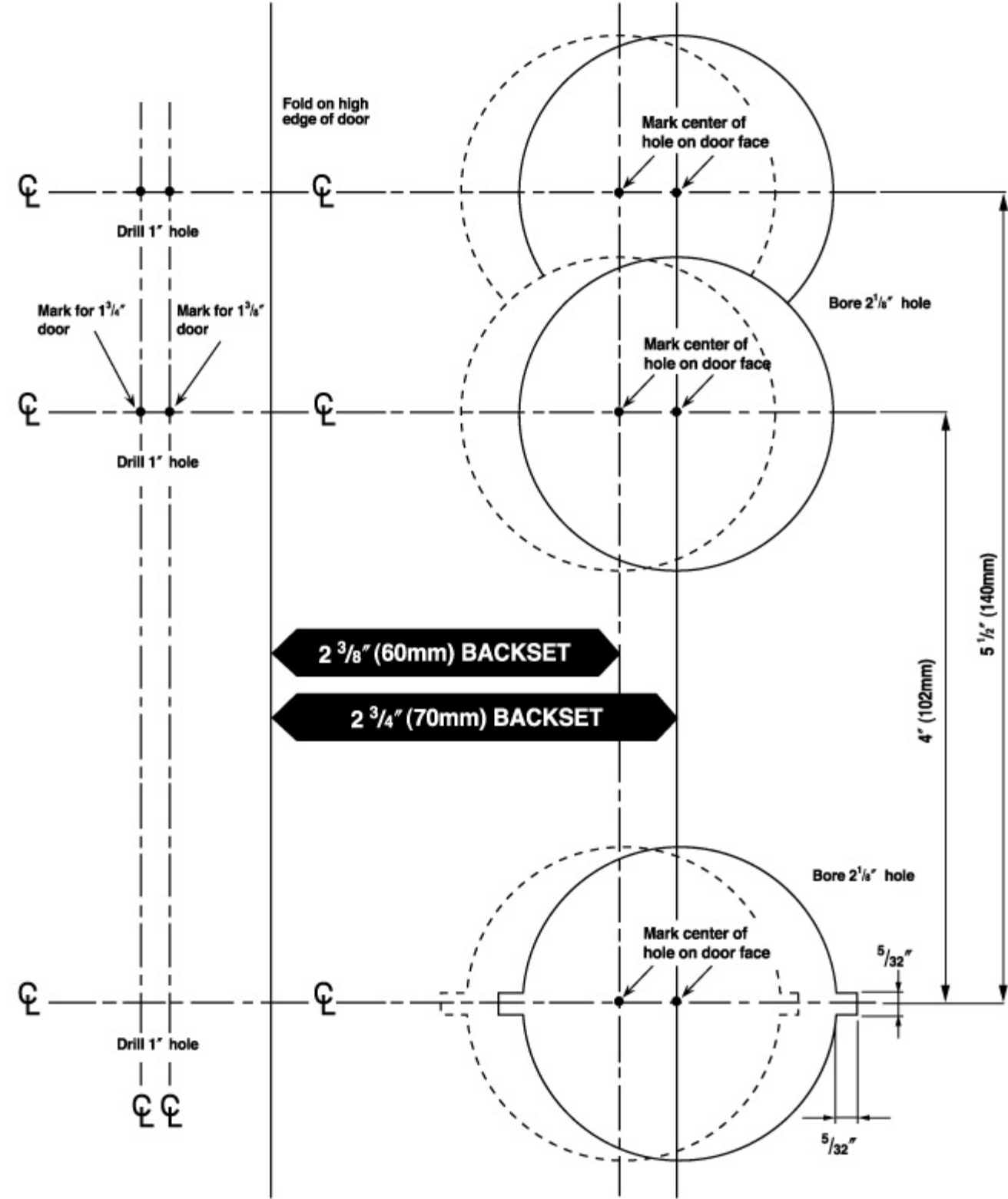
## 5. Install Strike



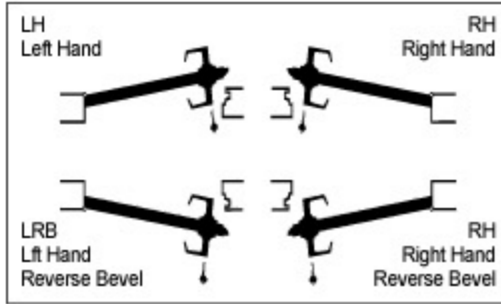
- A. Place strike box in hole. Place strike over the strike box and use it as pattern for cutout.
- B. Chisel about 1/8" (3.2mm) deep for flush fit of box and strike.
- C. Install strike box and strike.

- A. Place reinforcer in cutout with screw holes as shown. Mark and drill 3/16" (5mm) pilot holes.
- B. Chisel about 1/4" (6mm) deep for flush fit of reinforcer, box and strike.
- C. Install reinforcer with 3" (76mm) wood screws.
- D. Install strike box and strike.

# DOOR TEMPLATE



## 6. Prepare Handing



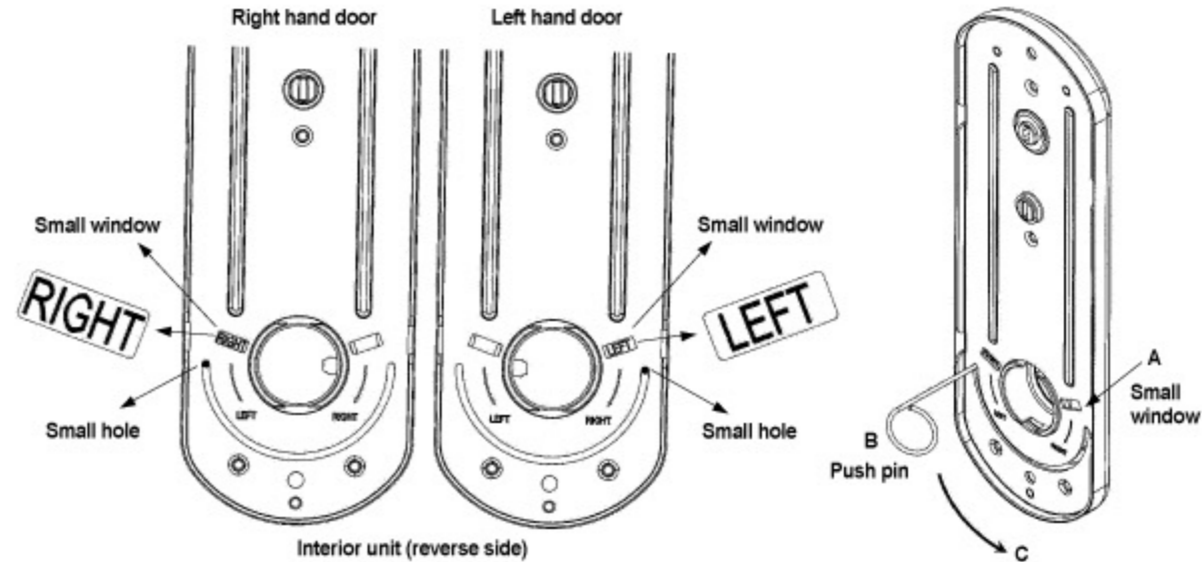
- Determine and note your hand of door
- If when standing on the exterior side of door, your door hinges are to the right, you have a right hand door
- If your door hinges are to the left, you have a left hand door.

## 7. How to Change Door Hand

**NOTE: The standard setting from factory is for right-hand door**

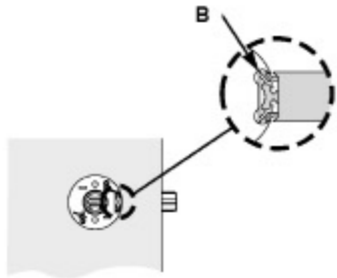
### How to Change Door Hand

- Check right-hand or left-hand.
- Insert push pin(provided) into a small hole at the end of semicircle as shown on following diagram.
- Move the push pin(provided) with holding a small hole align semicircle till to see " LEFT " or " RIGHT " in the small window.

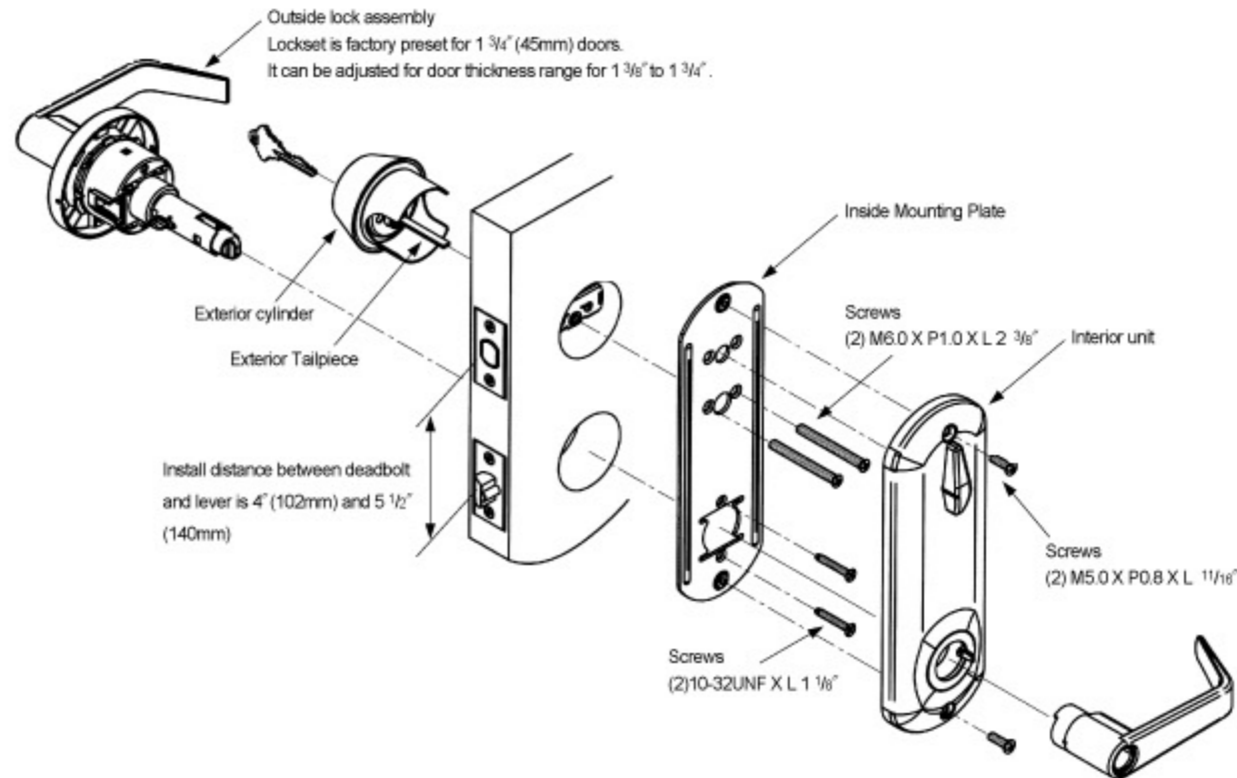


## Lock Installation

- Remove inside lever from lock, using push pin.
- Install lock assembly into door and engage latch as detailed.



- Place inside mounting plate.  
Tighten it to lock body with two(2) 10-32UNF X L 1 1/8" screws.
- Install exterior **deadbolt** cylinder assembly, with **tailpiece horizontally**.
- Tighten inside mounting plate to exterior deadbolt cylinder with two(2) M6.0 X P1.0 X L2 3/8" screws.
- Install interior unit with two(2) M5.0 X P0.8 X L 1 1/16" screws.
- Install inside lever.



# CL SERIES INTERCONNECTED LOCKS

## PDQ Industries, Inc.

2754 Creek Hill Road  
Leola, PA 17540  
1-800-441-9692  
Fax: 717-656-6892  
Web: [www.pdqlocks.com](http://www.pdqlocks.com)

