

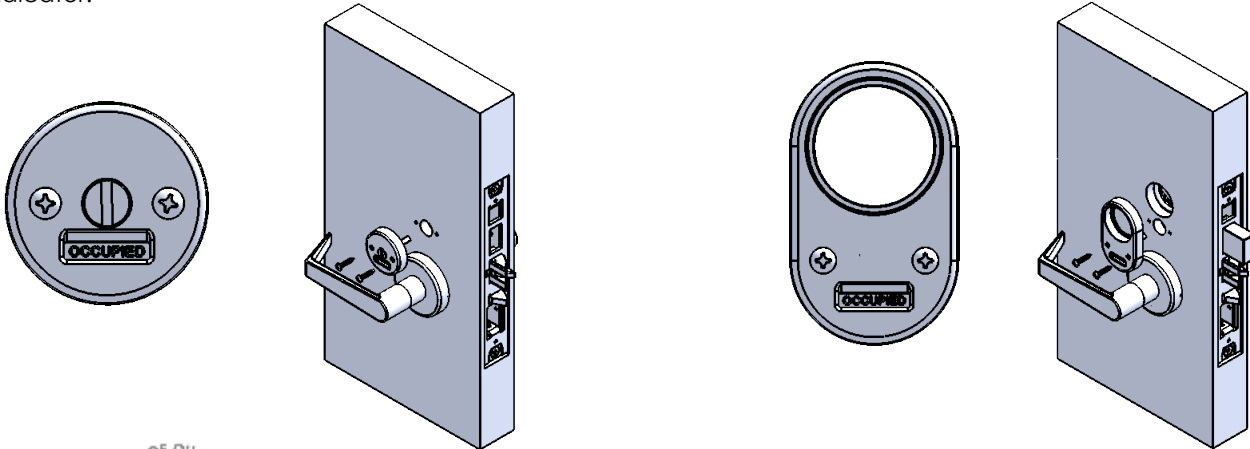
MORTISE PRIVACY INDICATOR INSTALLATION INSTRUCTION

W51523 REV 0
12-05-13

STEP 1:
Prepare the door. Install the mortise lock body and trim.

STEP 2:
Secure outside lever. Set the Mortise Privacy Indicator to the "Occupied" Position. Install the Indicator.

STEP 3:
Verify Mortise Privacy Indicator function:
Outside Lever Secure - Occupied
Outside Lever Free - Vacant



PDQ Manufacturing
2230 Embassy DR
Lancaster, PA 17603
800-441-9692

www.pdqlocks.com

