

MORTISE SECURITY INDICATOR INSTALLATION INSTRUCTION

W51524 REV 0
05-27-14

****THE MORTISE SECURITY INDICATOR INSTALLS ON THE INSIDE FACE OF THE DOOR****

STEP 1:

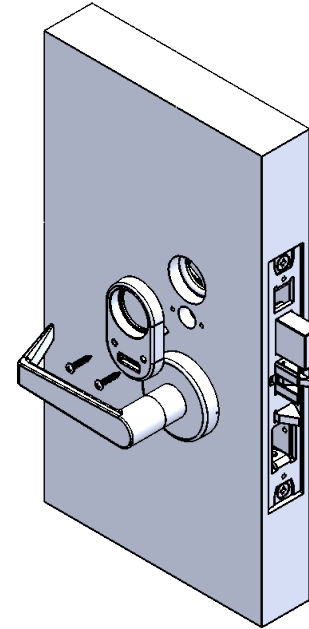
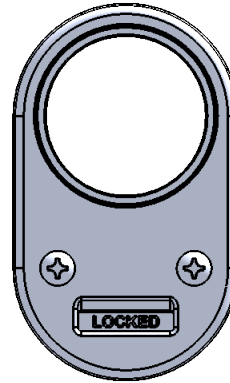
Prepare the door. Install the mortise lock body and trim.

STEP 2:

Secure outside lever. Set the Mortise Privacy Indicator to the "LOCKED" Position. Install the Security Indicator on the inside of the door.

STEP 3:

Verify Mortise Privacy Indicator function:
Outside Lever Secure - LOCKED
Outside Lever Free - UNLOCKED



PDQ Manufacturing
2230 Embassy DR
Lancaster, PA 17603
800-441-9692

www.pdqlocks.com

