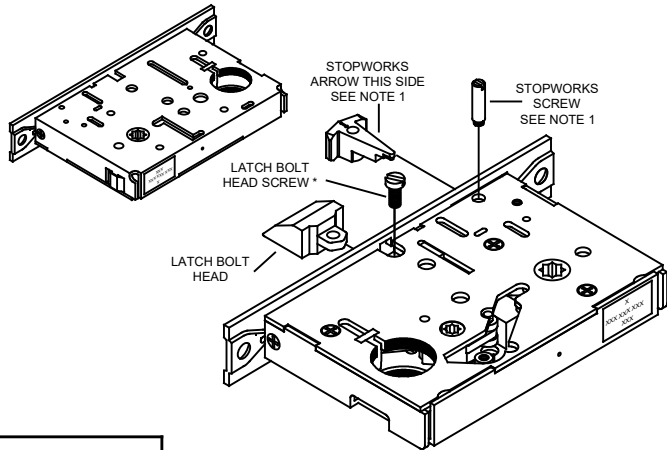


# HANDING GUIDE FOR PDQ's MR 116, 117, 126, 128, 135, 137, 138, 139 AND 178 FUNCTIONS

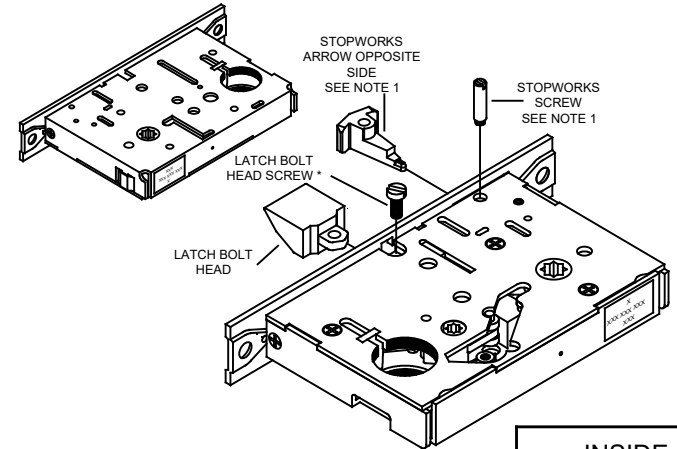
**DO NOT OPEN THE LOCK BODY.** ALL HANDING CHANGES ARE MADE BY POSITIONING THE SUPPLIED SCREWS AND PARTS WHICH ARE ACCESSED THROUGH THE EXTERIOR OF THE LOCK BODY.  
 NO ADDITIONAL PARTS ARE REQUIRED TO CHANGE THE HAND OF THIS LOCK BODY.  
**IF YOU ARE REVERSING THE SWING (LH TO LHR FOR EXAMPLE) ALL YOU NEED TO DO IS REVERSE THE LATCH BOLT HEAD.**



INSIDE

LEFT HAND (LH)

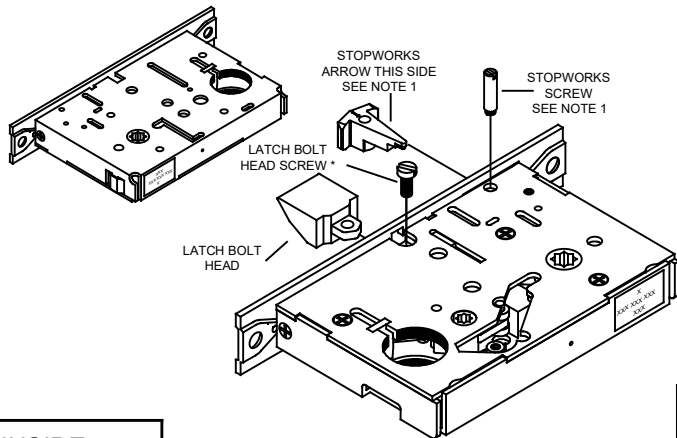
OUTSIDE



INSIDE

RIGHT HAND (RH)

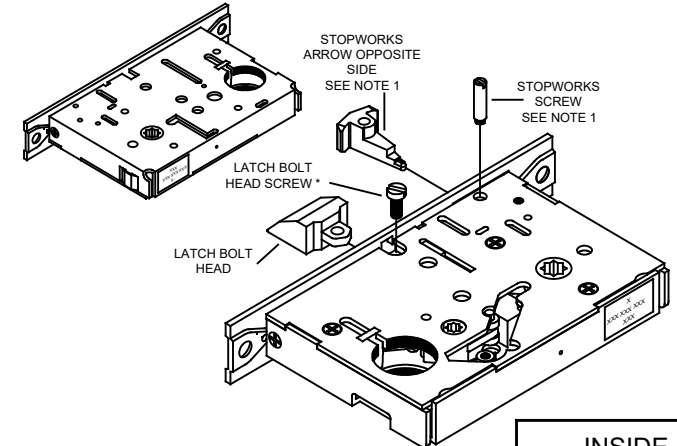
OUTSIDE



INSIDE

LEFT HAND REVERSE (LHR)

OUTSIDE



INSIDE

RIGHT HAND REVERSE (RHR)

OUTSIDE

**NOTES:**  
 1 - STOPWORKS AND STOPWORKS SCREW ONLY APPLY TO 116 AND 117 FUNCTIONS  
 \* - APPLY PERMATEx'S LOCTITE 242 (BLUE), OR EQUIVALENT, TO THE LATCH BOLT HEAD SCREW.