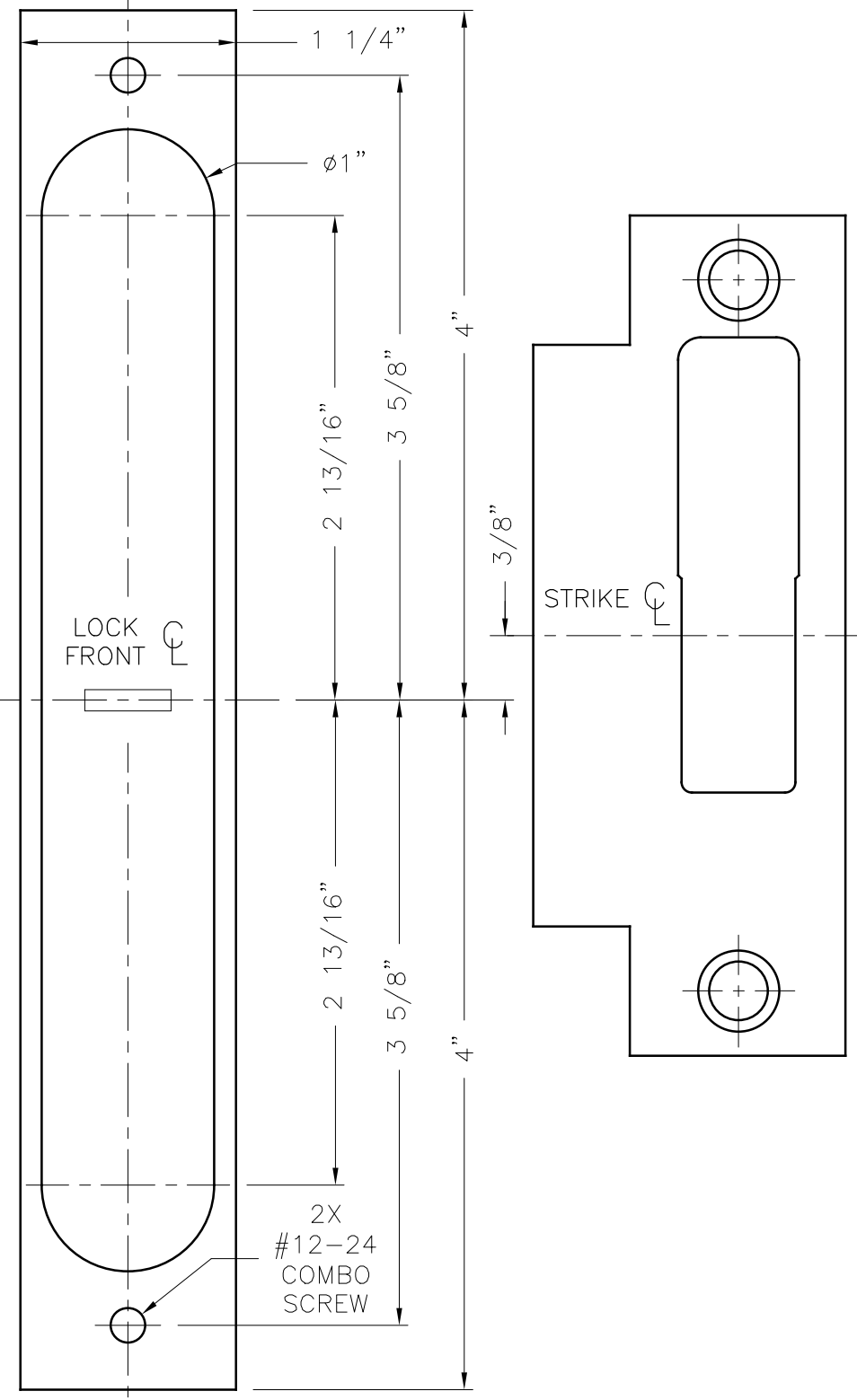
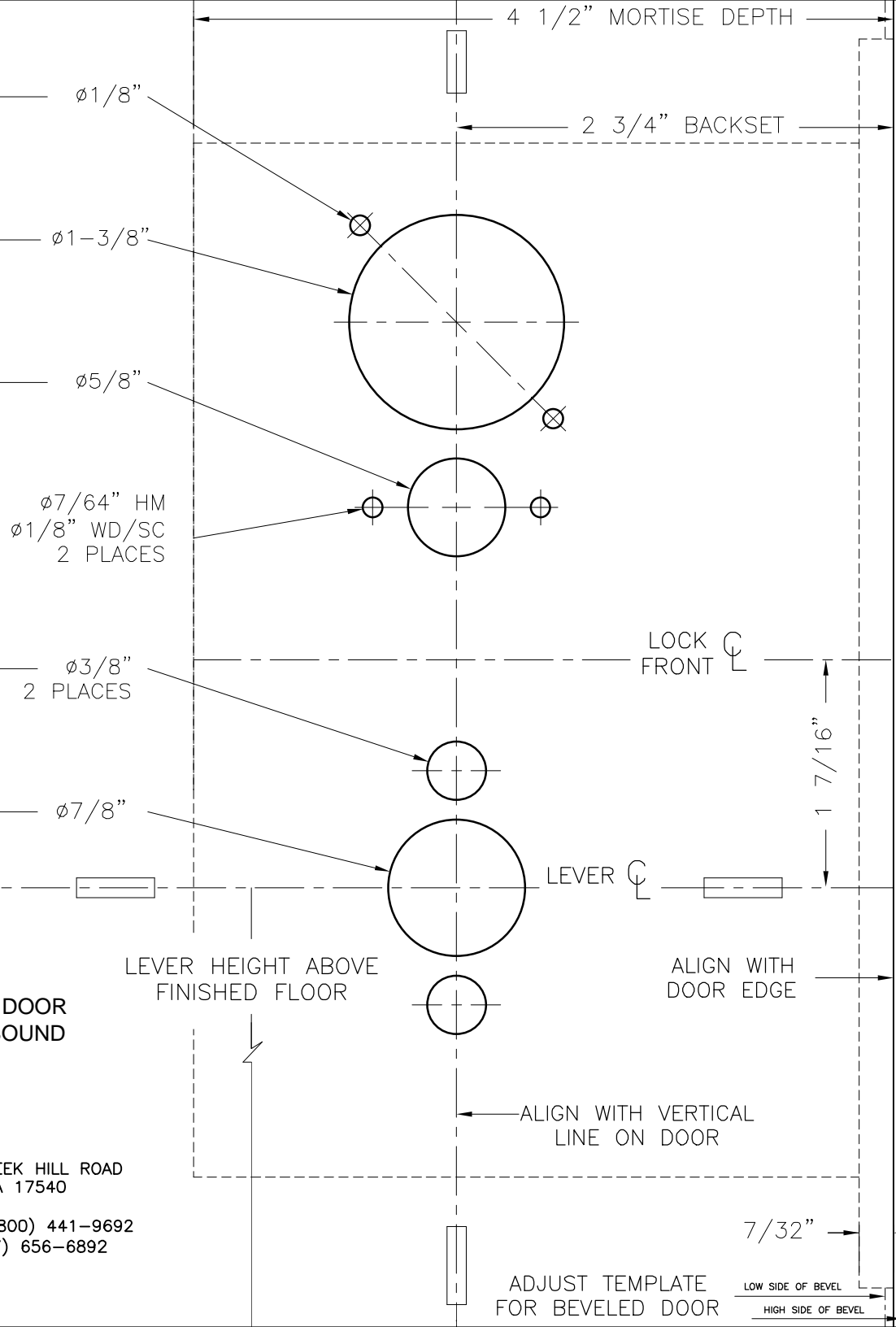


TEMPLATE NO.  
W53029 REV2  
9-27-2016

**SECTIONAL DOOR TEMPLATE**

TURN OVER TEMPLATE TO MARK OPPOSITE SIDE OF DOOR

- SQUARE COLLAR ALIGNMENT HOLES**  
DRILL ONLY IF USING SQUARE ROSE AND CYLINDER ON THIS SIDE
- CYLINDER HOLE**  
DRILL ONLY IF CYLINDER IS ON THIS SIDE
- THUMB TURN HOLE**  
DRILL ONLY IF THUMB TURN OR EMERGENCY TURN IS ON THIS SIDE
- THUMB TURN MOUNTING HOLES**  
DRILL ONLY IF THUMB TURN OR EMERGENCY TURN IS ON THIS SIDE
- THRU BOLT HOLES**  
DRILL ONLY IF YOU HAVE A LEVER ON THIS SIDE
- SPINDLE HOLE**  
DRILL ONLY IF YOU HAVE A LEVER ON THIS SIDE



**SILENCERS AND WEATHER STRIPPING:**  
PROVISIONS MUST BE MADE TO ALLOW PROPER DOOR CLOSURE WHEN USING DOOR SILENCERS, WEATHER STRIPPING OR SOUND PROOFING.

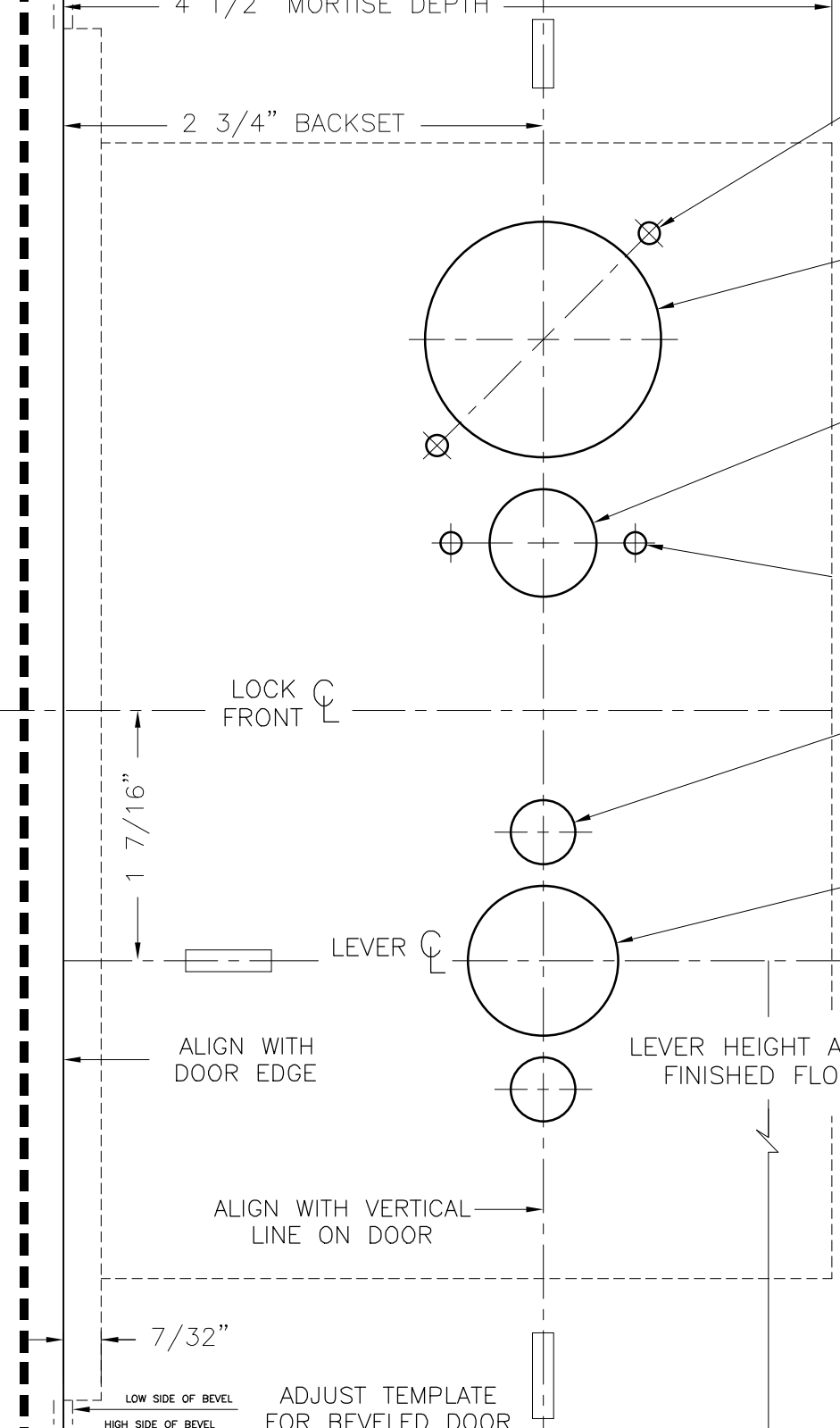
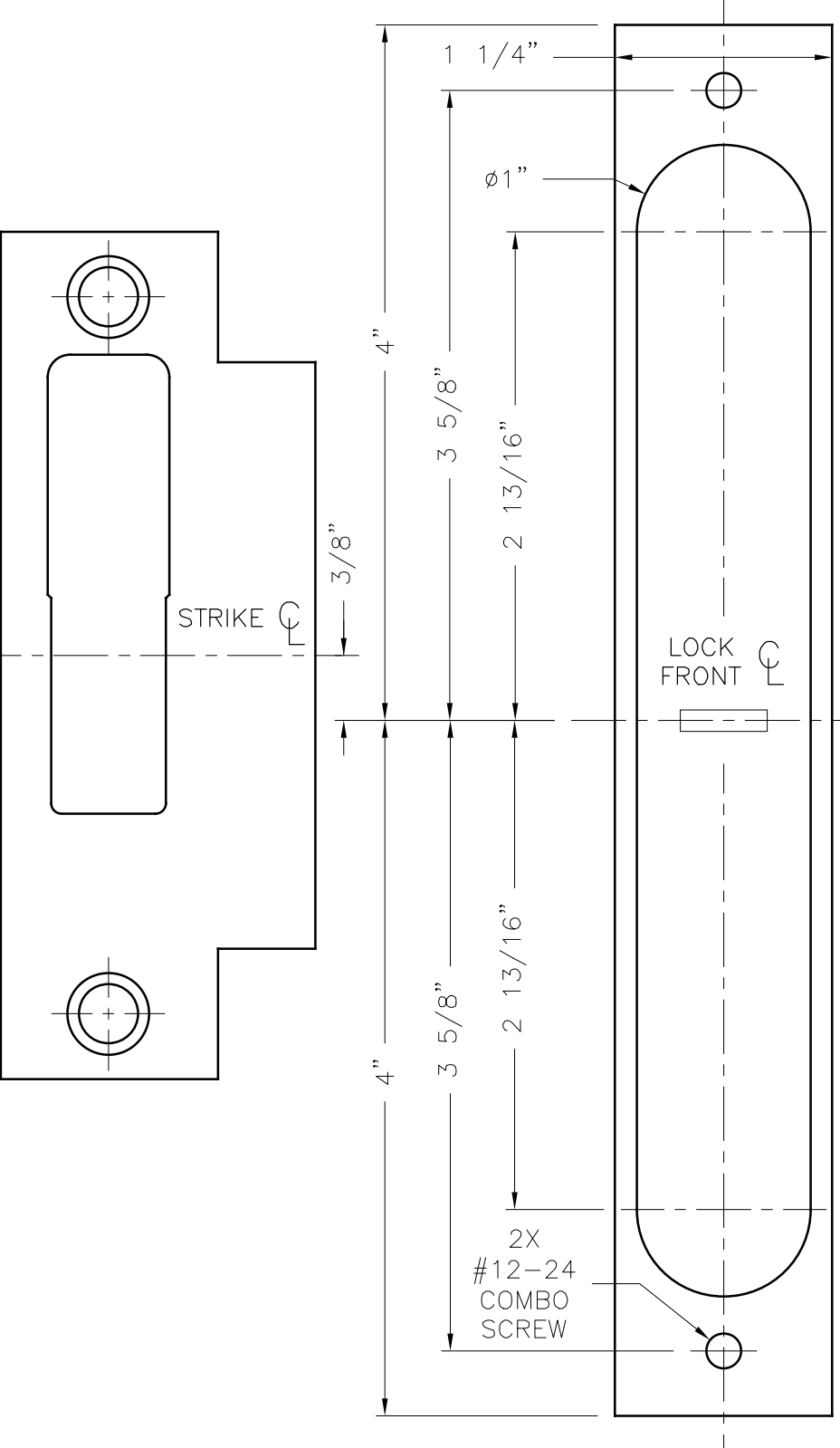


2754 CREEK HILL ROAD  
LEOLA, PA 17540  
PHONE: (800) 441-9692  
FAX: (717) 656-6892

**SECTIONAL DOOR TEMPLATE**

TURN OVER TEMPLATE TO MARK OPPOSITE SIDE OF DOOR

- SQUARE COLLAR ALIGNMENT HOLES**  
DRILL ONLY IF USING SQUARE ROSE AND CYLINDER ON THIS SIDE
- CYLINDER HOLE**  
DRILL ONLY IF CYLINDER IS ON THIS SIDE
- THUMB TURN HOLE**  
DRILL ONLY IF THUMB TURN OR EMERGENCY TURN IS ON THIS SIDE
- THUMB TURN MOUNTING HOLES**  
DRILL ONLY IF THUMB TURN OR EMERGENCY TURN IS ON THIS SIDE
- THRU BOLT HOLES**  
DRILL ONLY IF YOU HAVE A LEVER ON THIS SIDE
- SPINDLE HOLE**  
DRILL ONLY IF YOU HAVE A LEVER ON THIS SIDE



**SILENCERS AND WEATHER STRIPPING:**  
PROVISIONS MUST BE MADE TO ALLOW PROPER DOOR CLOSURE WHEN USING DOOR SILENCERS, WEATHER STRIPPING OR SOUND PROOFING.



2754 CREEK HILL ROAD  
LEOLA, PA 17540  
PHONE: (800) 441-9692  
FAX: (717) 656-6892

ADJUST TEMPLATE FOR BEVELED DOOR