

SQUARE ROSE DEADBOLT DOUBLE CYLINDER

TEMPLATE: W53545

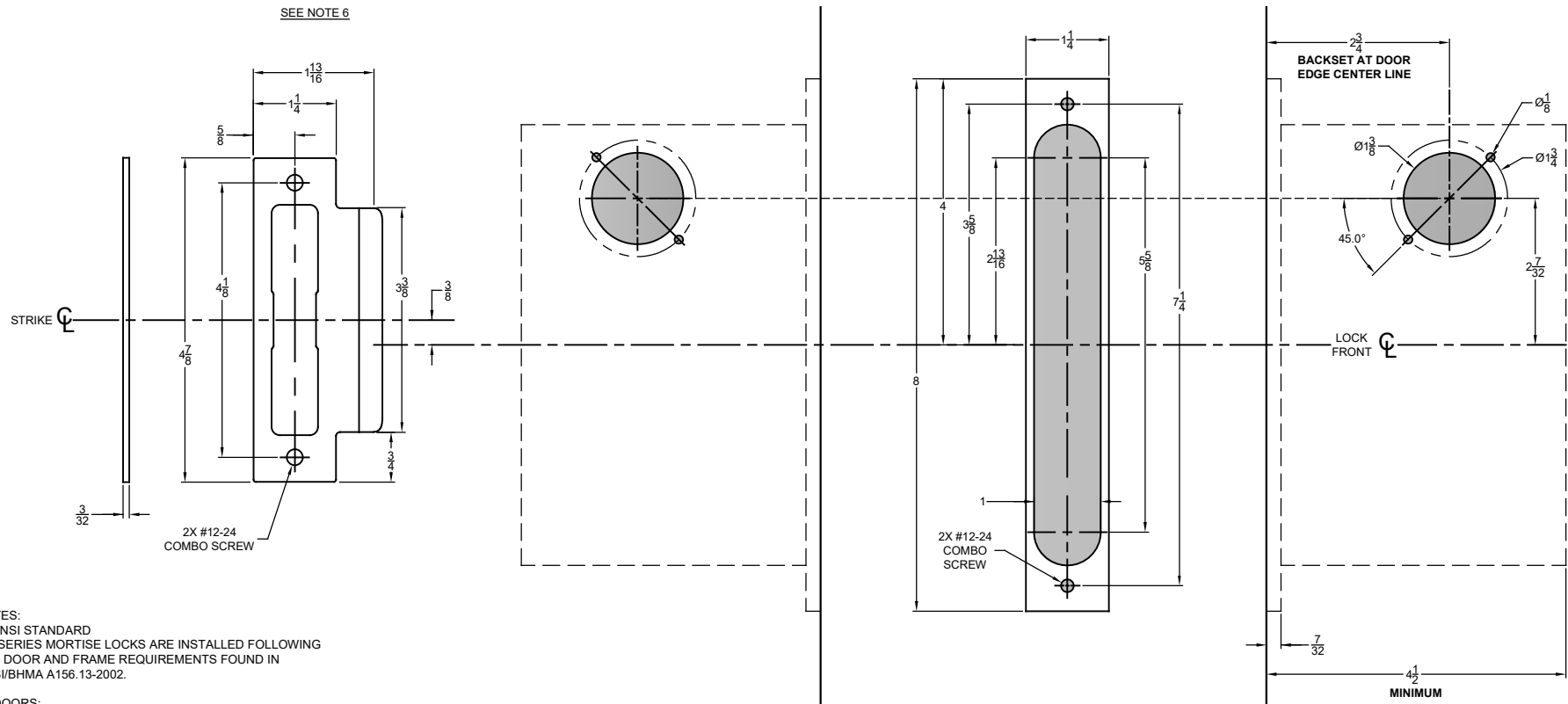
REV. 1 05-06-2019

MORTISE FUNCTIONS MR133 MR134

INSIDE OF RIGHT HAND DOOR

DOOR EDGE

OUTSIDE OF RIGHT HAND DOOR



- NOTES:
- ANSI STANDARD MR SERIES MORTISE LOCKS ARE INSTALLED FOLLOWING THE DOOR AND FRAME REQUIREMENTS FOUND IN ANSI/BHMA A156.13-2002.
 - DOORS: REINFORCEMENT IS REQUIRED PER ANSI A115.1-1991.
 - DOOR THICKNESS: STANDARD DOOR THICKNESS IS 1-3/4". CONSULT FACTORY FOR OTHER DOOR SIZES.
 - LEAD LINING: ADD 1/8" TO MORTISE WIDTH WHEN PREPARING DOOR FOR A LEAD LINED MR SERIES MORTISE LOCK BODY.
 - SILENCERS AND WEATHER STRIPPING: PROVISIONS MUST BE MADE TO ALLOW PROPER DOOR CLOSURE WHEN USING DOOR SILENCERS, WEATHER STRIPPING OR SOUND PROOFING.
 - DIMENSIONS FOR STRIKE ARE NOT APPLICABLE FOR THE ELECTRIC STRIKE. SEE ELECTRIC STRIKE MANUFACTURERS TEMPLATE FOR DETAILS.