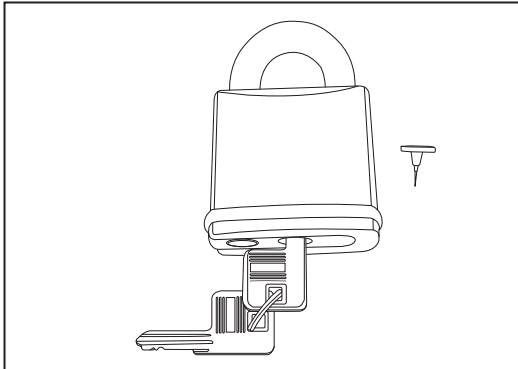
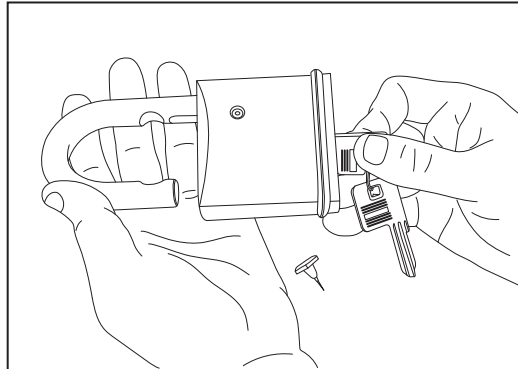


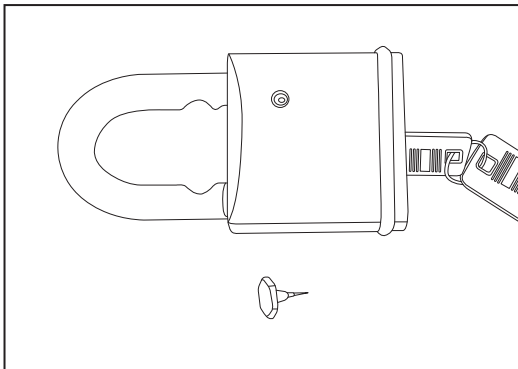
## Clever Shackle Change Design[Patented] - Tutorial



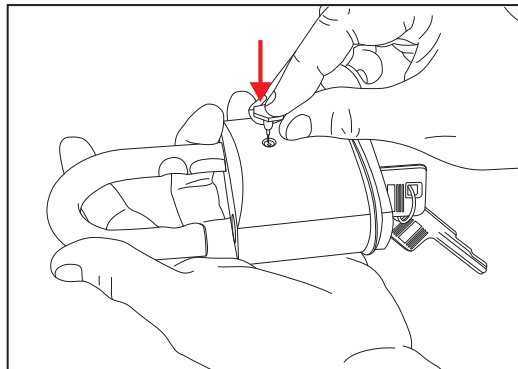
1. Prepare a thumbtack/pushpin.



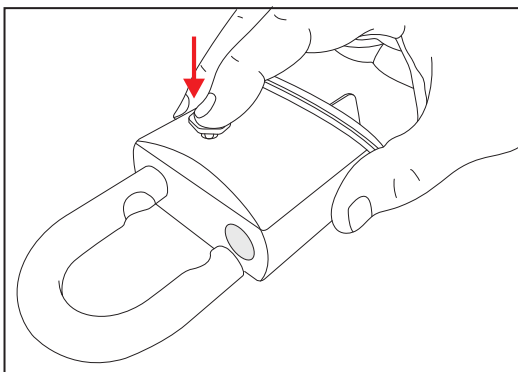
5. Turn the key to the opening position and put the new shackle into the shackle hole.



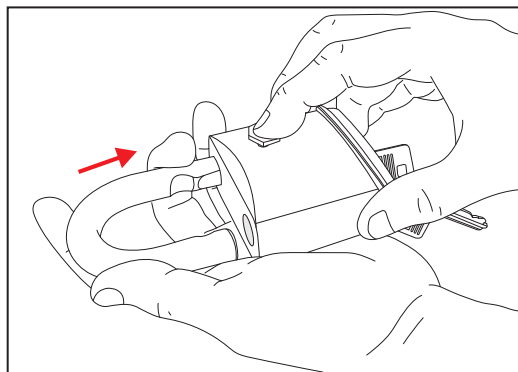
2. Unlock the padlock.



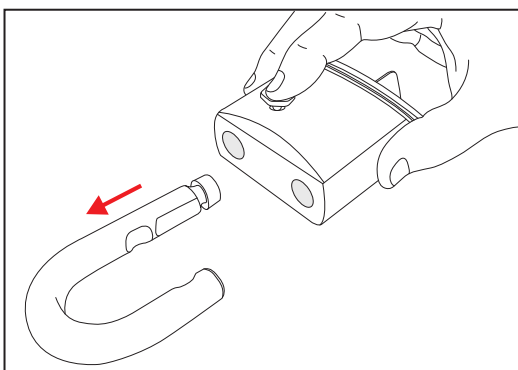
6. Use the thumbtack/pushpin to press the pin in the shackle retaining screw hole.



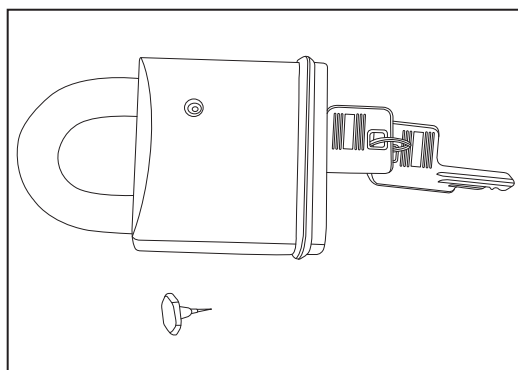
3. Use the thumbtack/pushpin to press the pin in the shackle retaining screw hole.



7. Push the new shackle all the way into the lock body.



4. Take out the shackle while pressing the pin.



8. Done.

Watch tutorial videos.

