

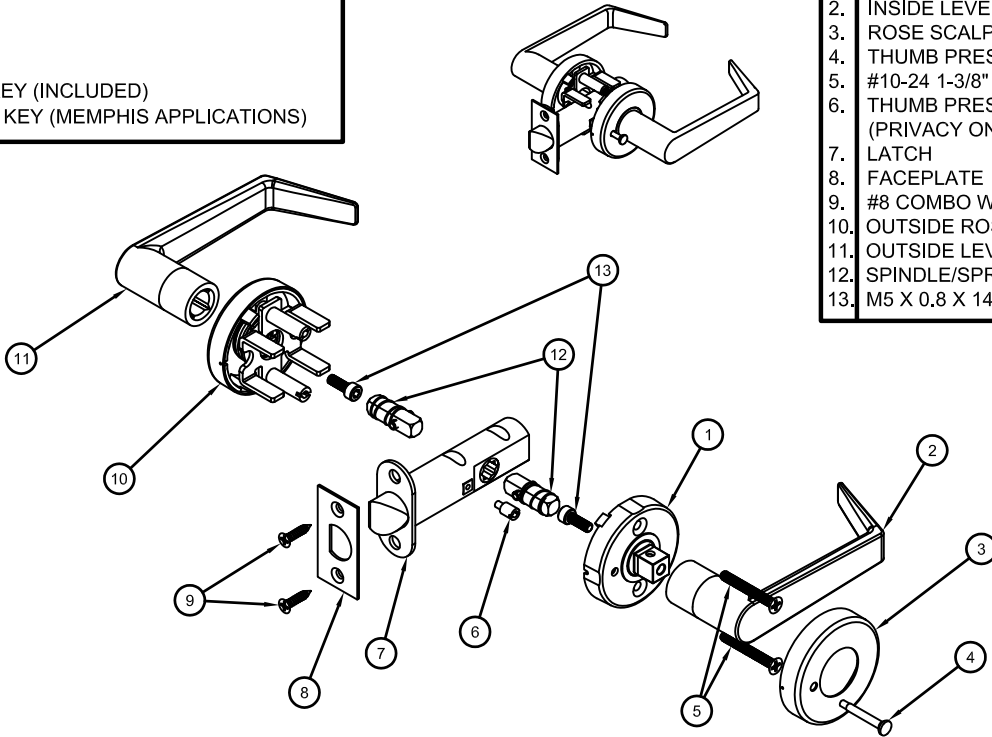
TUBULAR J-TRIM INSTALLATION INSTRUCTION

TOOLS REQUIRED FOR ASSEMBLY

- #2 PHILLIPS SCREWDRIVER
- 1/8" DRILL BIT
- 2-1/8" BORE
- 1" BORE
- 4MM ALLEN KEY (INCLUDED)
- 2.5MM ALLEN KEY (MEMPHIS APPLICATIONS)

PARTS LIST

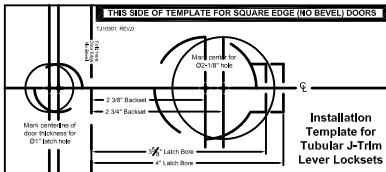
	PARTS LIST	QTY
1.	INSIDE ROSE	[1]
2.	INSIDE LEVER	[1]
3.	ROSE SCALP	[1]
4.	THUMB PRESS (PRIVACY ONLY)	[1]
5.	#10-24 1-3/8" MACHINE SCREW	[2]
6.	THUMB PRESS EXTENDER (PRIVACY ONLY)	[1]
7.	LATCH	[1]
8.	FACEPLATE	[1]
9.	#8 COMBO W/M SCREW	[2]
10.	OUTSIDE ROSE WITH SCALP	[1]
11.	OUTSIDE LEVER	[1]
12.	SPINDLE/SPRING	[2]
13.	M5 X 0.8 X 14 ALLEN HEAD SCREW	[2]



LOCKSET DIAGRAM

MARK AND DRILL HOLES

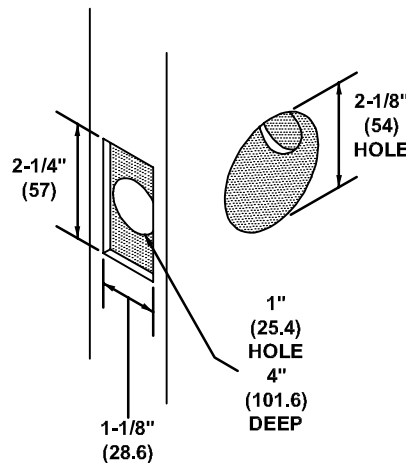
1. MARK LEVER HEIGHT ON DOOR EDGE. SUGGESTED HEIGHT FROM FLOOR IS 38" TO 40-5/16".
2. FOLD TEMPLATE OVER HIGH EDGE OF DOOR, CENTERING ON THE HEIGHT LINE.
3. MARK CENTER POINT FOR 2-1/8" HOLE AT DESIRED BACKSET.
4. MARK CENTER POINT FOR LATCH BOLT.



ACCURATE DOOR PREPARATION IS ESSENTIAL FOR PROPER FUNCTION

DOOR PREP FOR LATCH

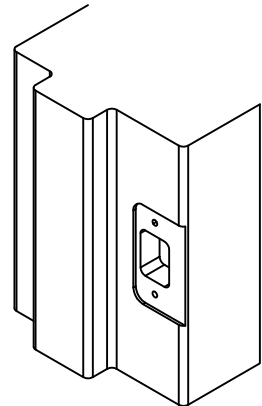
1-3/4" THICK SQUARE EDGE DOOR WITH 2-3/4" BACKSET SHOWN



PROPER FACEPLATE MORTISE DEPTH IS WHEN THE FACEPLATE IS FLUSH WITH THE DOOR EDGE.

FRAME PREP FOR STRIKE

FULL LIP STRIKE (STANDARD) SHOWN, OTHERS AVAILABLE

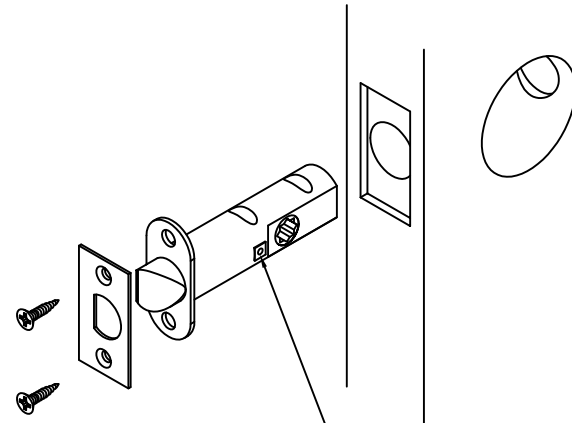


DOOR PREPERATION



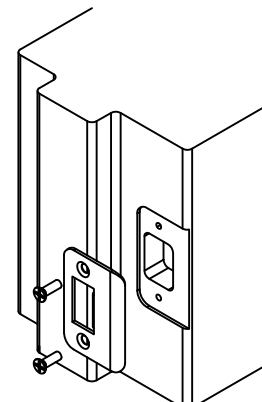
PDQ Manufacturing
2754 Creek Hill Rd.
Leola, PA 17540
800-441-9692
Fax: 717-656-6892
www.pdqlocks.com

TUBULAR J-TRIM INSTALLATION INSTRUCTION



PRIVACY FUNCTION ONLY
LATCHBOLT LOCKING BASE
FACES INSIDE OF OPENING

INSTALL LATCH

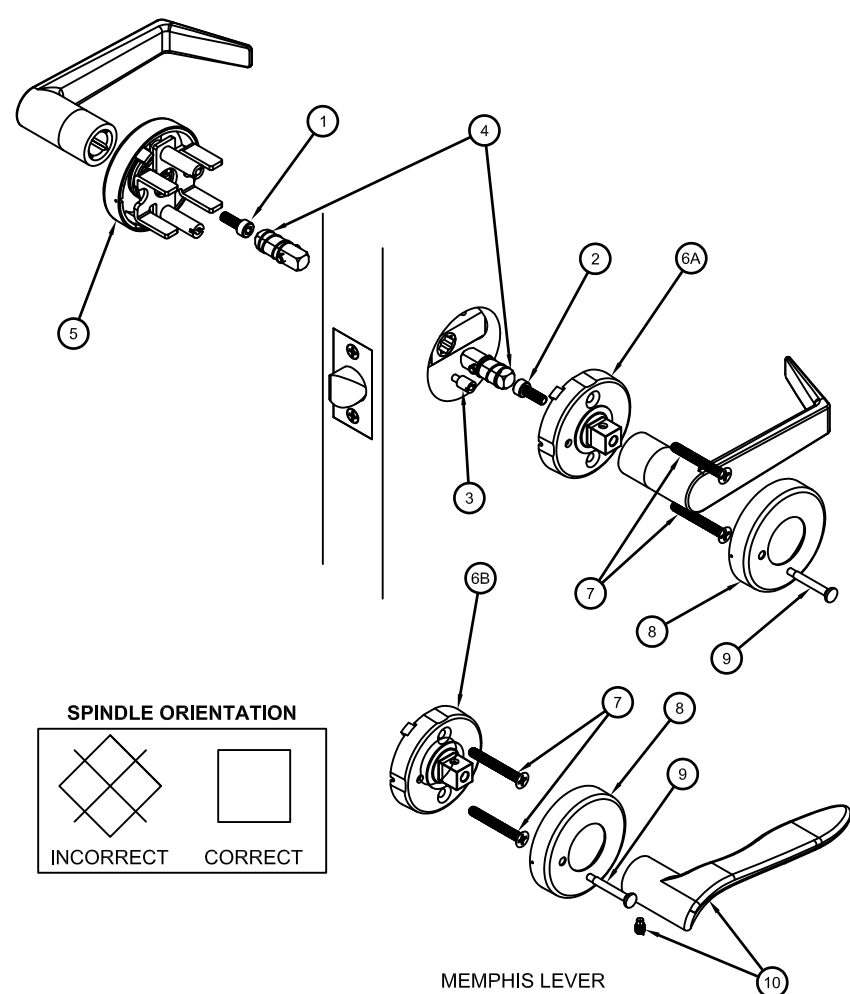


FULL LIP STRIKE (STANDARD) SHOWN,
OTHERS AVAILABLE

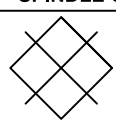
INSTALL STRIKE

LOCKSET IS PARTIALLY ASSEMBLED FROM FACTORY, FOLLOW DIAGRAM BELOW TO INSTALL

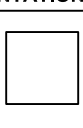
INSTALL BY NUMBERS



SPINDLE ORIENTATION



INCORRECT




CORRECT

MEMPHIS LEVER
APPLICATIONS

INSTALL LOCKSET

1. INSTALL M5 X 0.8 X 14 ALLEN SCREW THROUGH OUTSIDE ROSE INTO OUTSIDE LEVER.
2. INSTALL M5 X 0.8 X 14 ALLEN SCREW THROUGH INSIDE ROSE INTO INSIDE LEVER. ****FOR MEMPHIS LEVER APPLICATIONS DISCARD INSIDE M5X0.8X14 ALLEN SCREW****
3. ****PRIVACY FUNCTION ONLY**** INSTALL EXTENDER FOR 1-3/4" THICK DOOR. DISCARD EXTENDER FOR 1-3/8" THICK DOOR.
4. ENSURE PROPER ORIENTATION.
5. INSTALL ROSE LEVER ASSEMBLY FROM STEP 1 ONTO OUTSIDE OF DOOR.
6. A. INSTALL ROSE LEVER ASSEMBLY FROM STEP 2 ONTO INSIDE OF DOOR.
B. INSTALL INSIDE ROSE WITHOUT LEVER ONTO INSIDE OF DOOR.
7. INSTALL #10-24 1-3/8" SCREWS.
8. SLIDE ROSE SCALP OVER LEVER. MEMPHIS LEVER APPLICATIONS LEVER NOT YET INSTALLED. ALIGN THE THUMB PRESS HOLE. PRESS AGAINST DOOR FIRMLY TILL IT SNAPS INTO PLACE.
9. ****PRIVACY FUNCTION ONLY**** INSTALL THUMB PRESS ON INSIDE OF DOOR.
10. ****MEMPHIS LEVER APPLICATIONS ONLY**** SLIDE INSIDE LEVER ONTO ROSE. SECURE WITH SET SCREW.



PDQ Manufacturing
2754 Creek Hill Rd.
Leola, PA 17540
800-441-9692
Fax: 717-656-6892
www.pdqlocks.com